



English

Deutsch

Čeština

Eesti keel

Hrvatski

Bosanski

Latviešu valoda

Lietuvių kalba

Magyar

Polski

Română

Slovenčina

Slovenščina

Srpski

Crnogorski

Ελληνικά

Українська мова

# MG 1310 Simply

**MEAT GRINDER**  
INSTRUCTION MANUAL

**ELEKTRISCHER FLEISCHWOLF**  
BEDIENUNGSANLEITUNG

**MLÝNEK NA MASO**  
NÁVOD K OBSLUZE

**HAKKLIHAMASIN**  
KASUTUSJUHEHD

**MAŠINA ZA MLJEVENJE MESA**  
UPUTE ZA UPORABU

**GAĻAS MAĻAMĀ MAŠĪNA**  
ROKASGRĀMATA

**MĒSMALĒ**  
INSTRUKCIJŪ VADOVAS

**HÚSDARÁLÓ**  
HASZNÁLATI ÚTMUTATÓ

**MASZYŃKA DO MIĘSA**  
INSTRUKCJA OBSŁUGI

**APARAT DE TOCAT CARNE**  
INSTRUCȚIUNI DE UTILIZARE

**MLYNČEK NA MĀŠO**  
NÁVOD NA OBSLUHU

**MLINČEK ZA MESO**  
NAVODILA

**MAŠINA ZA MLEVENJE MESA**  
UPUTSTVO ZA UPOTREBU

**ΜΗΧΑΝΗ ΚΟΠΗΣ ΚΙΜΑ**  
ΕΓΧΕΙΡΙΔΙΟ ΟΔΗΓΙΩΝ

**М'ЯСОРУБКА**  
ІНСТРУКЦІЯ З ЕКСПЛУАТАЦІЇ

■ Always read the safety/use instructions carefully before using your appliance for the first time. The user's manual must be always included. ■ Bitte lesen Sie vor der Inbetriebnahme des Produktes diese Anleitung und die darin enthaltenen Sicherheitshinweise aufmerksam durch. Die Bedienungsanleitung muss dem Gerät immer beigelegt sein. ■ Pirms uведенim vйrоbu do provozu si dйklnadh протйtеzу tento nāvod a bezpечnostй pokyny, kterй jsou v tomto nāvodu obsaжeny. Nāvod musй byt vъdy pгlожen k pгstгroju. ■ Enne seadme esmakordset kasutamist lugege ohutus- ja kasutusjuhised alati hoolikalt labi. Kasutusjuhend peab alati kaasas olema. ■ Uvijek протйtајте sigurnosne upute i upute za uporabu prije prvog korištenja vaљeg uređaja. Upute moraju uvijek biti pгlожene. ■ Pirms ierices pirmās lietošanas reizes vienmēr rūpīgi izlasiet drošības un lietošanas norādījumus. Rokasgrāmata vienmēr jāpievieno ierīcē. ■ Prieš naudojamesi prietaisu pirmąjį kartą, visuomet atidžiai perskaitykite saugos ir naudojimo instrukcijas. Kartu su gaminiu visada privalo būti jo naudotojo vadovas. ■ A termék használatba vétele előtt figyelmesen olvassa el ezt a használati útmutatót és az útmutatóban található biztonsággi rendelkezéseket. A használati útmutatót tartsa a készülék közelében. ■ Przed pierwszym użyciem urządzenia prosimy o uważne zapoznanie się z instrukcjami dotyczącymi bezpieczeństwa i użytkowania. Instrukcja obsługi musi być zawsze dołączona. ■ Cititi intodeauna instructiunile de siguranță și utilizeze cu atenție înainte de a utiliza aparatul pentru prima dată. Manualul utilizatorului trebuie să fie întodeauna inclus. ■ Pred uvedenim výrobu do prevádzky si dôkladne prečítajte tento nāvod a bezpечnostй pokyny, ktorй sú v tomto nāvode obsiahnuté. Nāvod musй byt vъdy pгlожen k pгstгroju. ■ Pred vklopom izdelka temeljito preberite ta navodila in varnostne napotke, ki so navedeni v teh navodilih. Navodila morajo biti vedno pгlожena k napravi. ■ Uvek pažljivo протйtајте uputstva za sigurnost i upotrebu pre upotrebe uređaja po prvi put. Korisničko uputstvo mora uvek biti pгlожeno. ■ Priu xpгlоnopolеzеtе tг оuвкeтu оuс уа првоу фору, dивајте ошодојtе тис оdбегас оафелас као xpгlојт. То ехчеиrиdио уdггетт прелет иа перлoдoмbнeтa пoтoтa стп oуoкeтoуoиa. ■ Завжди важливо читайте інструкції з техніки безпеки та використання перед першим використанням пристрою. Посібник користувача повинен бути завжди включений.

**DESCRIPTION / BESCHREIBUNG / POPIS / KIRJELDUS / OPIS / APRAKSTS /  
APRAŠYMAS / A KÉSZÜLÉK RÉSZEI / OPIS / DESCRIERE / POPIS / OPIS / OPIS /  
ΠΕΡΙΓΡΑΦΗ / ΟΠΙΣ**



**English**

1. Rotary control knob  
REV: reverse on  
OFF: turning off  
I. speed  
II. speed
2. Body of the grinder
3. Lock button
4. Flange for the machine
5. Tamper
6. Meat bowl
7. Machine with funnel
8. Screw conveyor
9. Stainless steel self-sharpening blade
10. Hole plate (fine)
11. Hole plate (medium)
12. Safety ring
13. Sausage attachment
14. Kibbeh attachment
15. Separator

**Deutsch**

1. Drehknopf  
REV: Einschalten des  
Rückwärtslaufs  
OFF: ausschalten

- Geschwindigkeit I.
- Geschwindigkeit II.
3. Gerätekörper
- Sicherheitstaste
4. Flansch auf dem Gerätekörper
5. Stopfer
6. Fleischschale
7. Mahlwerk mit Hals
8. Schnecke
9. Selbstschärfende Klinge aus rostfreiem Stahl
10. Sieb (fein)
11. Sieb (mittel)
12. Sicherungsmutter
13. Würstchen-Aufsatz
14. Kibbeh-Aufsatz
15. Separator

**Čeština**

1. Otočný ovladač  
REV: zapnutí zpětného chodu  
OFF: vypnutí  
I. rychlost  
II. rychlost
2. Tělo mlýnku
3. Tlačítko pojistky
4. Příruba pro strojek
5. Pěchovadlo

6. Miska na maso
7. Strojek s jícnem
8. Šnek
9. Samoostřící čepel z nerezové oceli
10. Sítko (jemné)
11. Sítko (střední)
12. Pojistná matice
13. Nástavec na klobásy
14. Nástavec na kebbe
15. Separator

**Eesti keel**

1. Pöörlev juhtnupp  
REV: vastassuunas pöörlemine sees  
OFF (väljas): väljalülitamine I kiirus  
II kiirus
2. Hakklihamasina korpus
3. Lukustamisnupp
4. Masina äärik
5. Tõukur
6. Liha kauss
7. Masin koos lehriga
8. Spiraalrull
9. Roostevaba terasest iseterituv lõiketera

10. Avadega plaat (peened avad)
11. Avadega plaat (keskmised avad)
12. Turvarõngas
13. Vorsti valmistamise tarvik
14. Kibbe valmistamise tarvik
15. Eraldaja

## Hrvatski Bosanski

1. Kotačić za regulaciju  
REV: za uključenje kretanja unatrag  
OFF: isključeno  
I. brzina  
II. brzina
2. Tijelo mašine
3. Tipka osigurača
4. Prirubnica uređaja
5. Nabijač
6. Posuda za meso
7. Spojnica s grom
8. Puž
9. Samooštreća oštrica od nehrđajućeg čelika
10. Rešetka (fina)
11. Rešetka (srednja)
12. Zaporna matica
13. Nastavak za kobasice
14. Nastavak za kebbe
15. Separator

## Latviešu valoda

1. Rotējošais vadības kloķis  
REV: virzienmaiņa ieslēgta  
OFF: izslēgšana  
I. ātrums  
II. ātrums
2. Ierīces korpus
3. Nobloķēšanas poga
4. Ierīces uzmaļa
5. Spiedne
6. Gaļas trauks
7. Piltuve
8. Gliemežvārpsta
9. Nerūsējoša tērauda pašasinošs asmens
10. Maļšanas režģis (smalks)
11. Maļšanas režģis (vidējs)
12. Nostiprināšanas uzgrieznis
13. Desu uzgalis
14. Gaļas bumbiņu uzgalis
15. Starplika

## Lietuvių kalba

1. Sukamasis valdiklis  
REV: atgalinė eiga įjungta  
OFF: išjungimas  
I. greitis  
II. greitis
2. Mėsmalės korpusas
3. Užraktas mygtukas
4. Mechanizmo flanšas
5. Grūstė

6. Mėsos indas
7. Mechanizmas su piltuvu
8. Sraigtinis konvejeris
9. Nerūdijančio plieno savaime apsigalandantys ašmenys
10. Mėsmaalės sietelis (smulkus)
11. Mėsmaalės sietelis (vidutinis)
12. Saugos žiedas
13. Priedas dešrelėms
14. „Kibbeh“ priedas
15. Atskyriklis

## Magyar

1. Működtető gomb  
REV: ellenkező forgásirány  
OFF: kikapcsolás  
I. fordulatszám fokozat  
II. fordulatszám fokozat
2. Készülékház
3. Kioldó gomb
4. Daráló hajtás
5. Nyomórúd
6. Adagoló tálcá
7. Daráló ház
8. Csiga
9. Őnélező rozsdamentes acélkés
10. Lyukas tárcsa (finom)
11. Lyukas tárcsa (közepes)
12. Menetes gyűrű
13. Kolbásztöltő
14. Kebbe készítő
15. Szeparátor

## Polski

1. Pokrętko  
REV: włączanie biegu wstecznego  
OFF: wyłączenie  
I. prędkość  
II. prędkość
2. Korpus urządzenia
3. Przycisk bezpiecznika
4. Kołnierż urządzenia
5. Popychacz
6. Miska na mięso
7. Maszyna do mielenia z gardzielą
8. Ślimak
9. Samooszczęcające ostrze ze stali nierdzewnej
10. Cedzak (drobny)
11. Cedzak (średni)
12. Nakrętka zabezpieczająca
13. Przystawka do kiełbasy
14. Przystawka do kebbe
15. Separator

## Română

1. Buton rotativ de control  
REV: activare deplasare a angrenajului melcat în sens invers  
OFF: oprire  
I. viteză  
II. viteză

2. Corpul aparatului de tocat
3. Buton de blocare
4. Flanșă pentru aparat
5. Dispozitiv pentru tasare
6. Bol pentru carne
7. Dispozitiv cu pâlnie
8. Angrenaj melcat cu șurub cu rol de transportor
9. Lamă din oțel inoxidabil cu auto-ascuțire
10. Disc cu orificii (pentru tocarea fină)
11. Disc cu orificii (pentru tocarea medie)
12. Inel de siguranță
13. Atașament pentru cărnați
14. Atașament pentru kibbe
15. Separator

## Slovenčina

1. Otočný ovládač  
REV: zapnutie spätného chodu  
OFF: vypnutie  
I. rýchlosť  
II. rýchlosť
2. Telo mlynčeka
3. Tlačidlo poistky
4. Príruba pre mlecíu komoru
5. Zatláčadlo
6. Miska na mäso
7. Mlecia komora
8. Závitovka
9. Samoosťreca čepeľ z nehrdzavejúcej ocele
10. Sitko (jemné)
11. Sitko (stredné)
12. Poistná matica
13. Nadstavec na klobásy
14. Nadstavec na kebbe
15. Separátor

## Slovenščina

1. Vrtljiv upravljalnik  
REV: vklop povratnega delovanja  
OFF: izklop  
I. hitrost  
II. hitrost
2. Trup mlinčka
3. Tipka varovala
4. Prirobница za strojček
5. Tolkalo
6. Posodica se meso
7. Strojček s požiralnikom
8. Polž
9. Samoostrižno rezilo iz nerjavnega jekla
10. Mreža (fina)
11. Mreža (srednja)
12. Varovalna matica
13. Nastavek za klobase
14. Nastavek za kebab
15. Ločevalnik

## Srpski

### Crnogorski

1. Тоџкиџ за regulaciju  
REV: за uključenje kretanja  
unatrag  
OFF: isključeno  
I. brzina  
II. brzina
2. Telo mašine
3. Taster osigurača
4. Prirubnica aparata
5. Potiskivač
6. Posuda za meso
7. Spojnica sa grlom
8. Puž
9. Samooštreća oštrica od nerđajućeg čelika
10. Rešetka (fina)
11. Rešetka (srednja)
12. Zaporna matica
13. Nastavak za kobasice
14. Nastavak za kebbe
15. Separator

### Ελληνικά

1. Περιτροφικό κουμπί ελέγχου  
REV: ενεργοποίηση  
αντίστροφης κίνησης  
OFF: απενεργοποίηση  
I. ταχύτητα  
II. ταχύτητα
2. Σώμα της μηχανής κοπής
3. Κουμπί κλειδώματος
4. Φλάντζα για το μηχάνημα
5. Εξάρτημα πίεσης
6. Μπολ κρέατος
7. Μηχάνημα με χοάνη
8. Κοχλιοφόρος μεταφορέας
9. Αυτοακονιζόμενη λεπίδα από ανοξείδωτο ατσάλι
10. Διάτρητη πλάκα (λεπτή)
11. Διάτρητη πλάκα (μεσαία)
12. Δακτύλιος ασφαλείας
13. Προσάρτημα για λουκάνικα
14. Προσάρτημα για kibbe
15. Διαχωριστήρας

### Українська мова

1. Ручка регулювання  
REV: робота у протилежному  
напрямку  
OFF: вимкнення  
I. швидкість  
II. швидкість
2. Корпус м'ясорубки
3. Кнопка блокування
4. Фланець для машини
5. Прештовхувач
6. Ємність для м'яса
7. Машина з трубою
8. Шнековий транспортер
9. Самозагострювальні ножі з нержавіючої сталі
10. Насадка з отворами (маленькі)

11. Насадка з отворами (середні)
12. Запобіжне кільце
13. Насадка для ковбасок
14. Насадка для кебабу
15. Розділювач

## SAFETY INSTRUCTIONS

### Read carefully and save for future use!

**Attention:** The safety measures and instructions, contained in this manual, do not include all conditions and situations possible. The user must understand that common sense, caution and care are factors that cannot be integrated into any product. Therefore, these factors shall be ensured by the user/s using and operating this appliance. We are not liable for damages caused during shipping, by incorrect use, or the modification or adjustment of any part of the appliance.

Read this manual carefully and look at the pictures before using the appliance. Keep for future reference. The accessories may contain additional instructions for use.

To prevent fire or electric shock, basic precautions should always be taken when using electrical equipment, including the following:

1. Make sure the voltage in your outlet corresponds to the voltage provided on the appliance label and that the socket is properly grounded. The outlet must be installed in accordance with applicable electrical codes according to EN.
2. Never use the appliance if the power cable is damaged. **All repairs, including cord replacements, must be carried out at a professional service centre! Do not remove the protective covers from the appliance; there is a risk of electric shock!**
3. Do not allow the power cord to touch hot surfaces or run the cord over sharp edges.
4. Protect the appliance against direct contact with water and other liquids, to prevent potential electric shock.
5. Do not use the appliance outdoors and in wet environment and do not touch the power cable or the appliance with wet hands. Risk of electric shock.
6. Do not immerse the motor base and power cord in water or other liquids. Do not rinse under running water. Prevent liquids getting into the unit with the motor.
7. Pay closer attention when using the appliance near children.
8. The appliance should not be left unattended during operation.
9. We recommend that you do not leave the appliance with plugged in power cable unattended.

10. Before carrying out maintenance, assembly / disassembly, changing accessories or when the appliance is no longer in use, switch off the appliance and unplug it. Do not remove the power cord from the outlet by yanking the cord. Unplug the power cord from the outlet by grasping the plug.
11. Always wait for all parts to come to a complete stop before disassembling. The appliance needs approximately 30 minutes to cool down for safe handling and cleaning.
12. Do not use the appliance close to a source of heat, e. g. oven. Protect it against direct sunlight.
13. Do not put the appliance on the wall or on top of other appliances. Leave at least 10 cm of free space on the back and on the side and 10 cm of free space above the appliance.
14. Always use the appliance on an even and stable surface. Do not place any objects on the appliance.
15. Before the first use, we recommend washing all parts that come into contact with food, see chapter "Cleaning and maintenance".
16. Take extra care when handling the cutting blades, especially when removing them and cleaning them, the blades are very sharp and can cause injuries.
17. Tighten the locking ring of the machine carefully before starting. Never overtighten the nut!
18. Never cover the appliance during operation and do not use it close to flammable materials, e. g. curtains, etc.
19. Never use your fingers, kitchen utensils or other objects to push food into the appliance! Use only the pusher supplied with the appliance. Use reasonable force. Excessive pressure could damage the appliance.
20. Do not touch the moving parts.
21. Long hair, loose clothing or accessories and jewelry can be caught by the rotating parts of the appliance. **Make sure that your hair, clothing and accessories do not come in dangerous proximity to rotating parts!**
22. Do not switch on the appliance without food inserted (empty)!
23. Grind meat stripped of tendons and bones, pre-cut into pieces measuring approximately 20 mm × 20 mm × 60 mm.

24. If the grinder jams, turn the switch to the Reverse (REV) position. This loosens the meat stuck in the grinder and returns the machine to its original function.
25. Clean the appliance immediately after each use. Wipe the body of the appliance only with a damp cloth when cleaning. Do not immerse it in water.
26. Use accessories only advised by the manufacturer, otherwise you risk losing the warranty.
27. Never leave the appliance running continuously for more than 5 minutes. After 5 minutes of operation, let the appliance cool down for about 10 minutes before using it again. Do not leave the appliance in operation for more than 30 minutes in total.
28. Use this appliance only in accordance with the instructions in this manual.
29. This appliance is designed for domestic use only. It is not intended for commercial use.
30. This appliance is designed for processing meat without bones, tendons and fat. Do not try to grind bones, nuts or other hard objects.
31. The manufacturer is not liable for any damage caused by the improper use of this appliance.
32. This appliance should not be used by children. Keep the appliance and its power supply out of reach of children. The appliance may be used by persons with reduced physical, sensory or mental capacities or lack of experience and knowledge, if they are supervised or if they were instructed how to use the appliance safely and understand potential dangers. Children shall not play with the appliance.

**Risk of property damage:** The appliance may only be used if it is properly and completely assembled.

**Do not immerse in water! – Do not immerse in water!**

**DANGER for children:** Children must not play with the packaging material. Do not let children play with the plastic bags. Risk of suffocation.

## OPERATING INSTRUCTIONS

### Before first use

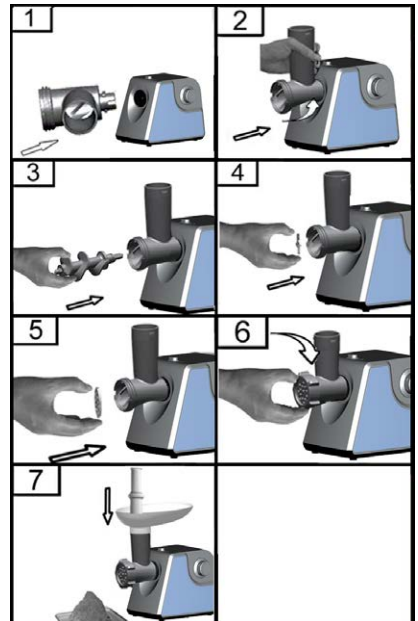
- Carefully unpack the appliance and remove all packing material and advertising stickers.
- Clean the machine and accessories, see chapter "Cleaning and maintenance".
- Clean the grinder body with a damp cloth or sponge.

**Warning:** Never soak or immerse the body of the grinder or the power cord in liquids.

**Note:** When assembling the grinder or changing accessories, switch off the appliance and unplug it.

### Assembly

- Press the safety button and insert the machine into the flange (make sure that it is turned at an angle, see Fig. 1). Tighten the machine in the body of the grinder, turning it to the left, see Fig. 2.
- Insert the screw conveyor in the machine with the longer shaft so that it fits into the body of the grinder (Fig. 3).
- Insert the rotary blade on the tip of the screw with the blades (flat, sharp edge) forward as shown (Fig. 4). If you insert it incorrectly, it will not grind the meat.
- Now insert a hole of selected coarseness in the machine. Make sure that it fits into the tabs on the machine (Fig.5).
- Hold the hole plate by the center and secure it in the machine with the locking ring (Fig. 6). Tighten the ring clockwise, do not overtighten it.
- Place the meat bowl on the funnel of the machine and fasten it.
- Place the grinder on a suitable level surface.
- Leave about 10 cm free space on the sides of the grinder for air access.





## Meat preparation

Cut the meat into strips 10 cm long and about 2 cm thick. Remove bones, cartilage, bristles and tendons. (Never grind frozen meat!)

Put the meat in the bowl of the grinder. Using the pusher, gently push the meat into the grinder's funnel. (Grind the meat twice for tartar steak.)

## Preparation of kibbe

Kibbe is a traditional Middle Eastern dish prepared primarily from ground lamb and bulgur, from which stuffed dumplings are formed. You can fill the roll created by the grinder with minced meat, close it and fry it.

1. Insert the conveyor screw in the machine (Fig. 8). Place the kibbe attachment on the screw shaft. Make sure that it fits into the protrusions on the machine and tighten it with the locking ring (Fig. 9).

2. Place the meat bowl on the funnel of the grinder.

3. The appliance is now ready to make kibbe (Fig. 10)

Gently push the bulgur mixture into the funnel of the machine with the pusher. Fill the resulting hollow roll of the mixture with ground meat and divide as required.

## Making sausages

1. Grind the meat and prepare the mixture for the sausages. Place the separator on the screw shaft. Make sure that it fits into the protrusions on the machine, then insert the sausage attachment and tighten it with the locking ring (Fig. 11).

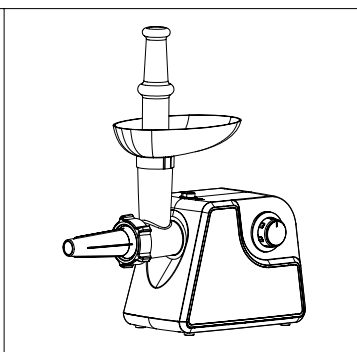
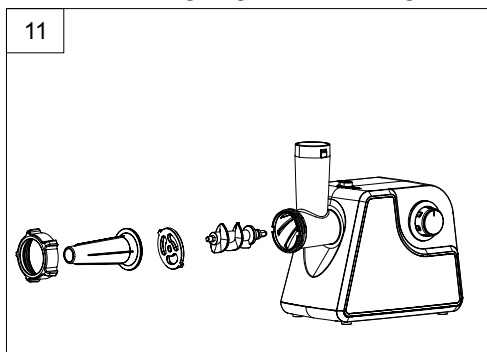
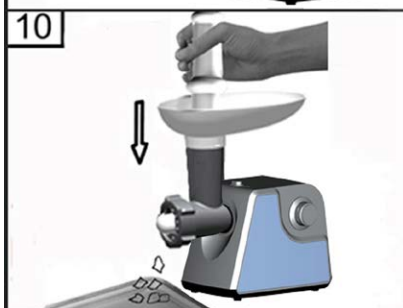
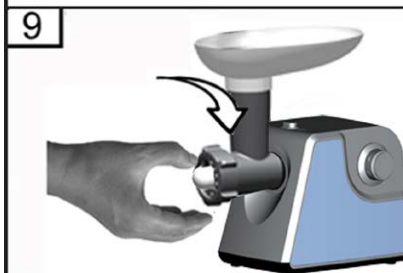
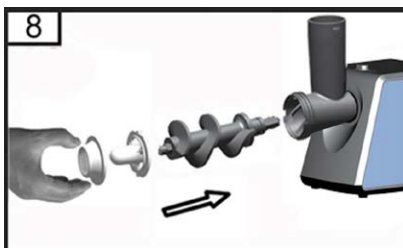
2. Insert the meat bowl on the funnel of the grinder.

3. The appliance is now ready to make sausages.

Prepare the mixture on the grinder bowl. Gently push the mixture into the grinder's funnel with a pusher.

Soak the sausage casing in lukewarm water for 10 minutes.

Then insert the moist casing onto the sausage filling attachment. Close the casing and press the prepared (spiced) mixture into it using the grinder. If the casing sticks to the attachment, moisten it with water.



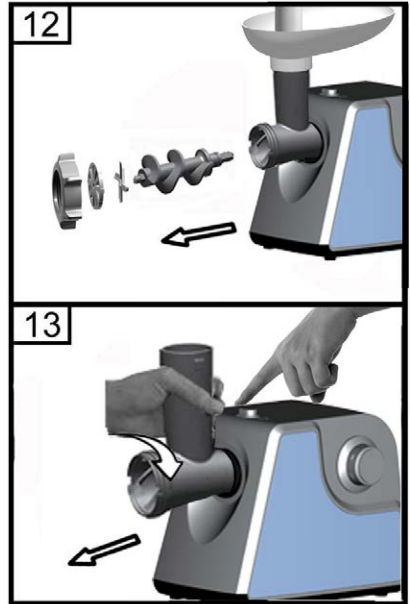
## MAINTENANCE AND CLEANING

Clean immediately after each use.

Always wait for all parts to come to a complete stop before disassembling. The appliance needs approximately 30 minutes to cool down for safe handling and cleaning.

You can roughly clean the meat caught in the grinder by grinding a dinner roll or a slice of bread. **Take extra care when cleaning, the blades are very sharp.**

1. Before cleaning the product further turn it off and unplug it.
2. Unscrew the locking ring and remove all the parts of the machine (Fig.12).
3. Press the lock button, turn the machine in the direction of the arrow and disconnect it from the body of the grinder. Take out the pusher and the meat bowl. (Fig. 13)
4. Wash the appliance and all accessories (pusher, meat bowl, conveyor screw, blades, hole plates, separators and attachments as well as locking ring) in hot water with detergent.
5. Rinse with clean hot water and dry immediately.
6. We recommend coating the inside of the grinder and hole plates with edible oil.



**Note:** Do not wash any parts or accessories of this appliance in the dishwasher.

After it was used, wipe the body of the appliance with wet cloth and then dry thoroughly with dry cloth. Protect the appliance from water and high humidity! Do not immerse it in water.

- Do not use thinner, gasoline or other aggressive or abrasive cleaners.
- Protect from direct sunlight and wet environment.

## TECHNICAL SPECIFICATIONS

Nominal voltage: 220–240 V ~ 50-60 Hz

Nominal input power: 300 W

## USE AND DISPOSAL OF WASTE

Wrapping paper and corrugated paperboard – deliver to scrapyards. Packing foil, PE bags, plastic elements – throw into plastic recycling containers.

## DISPOSAL OF PRODUCTS AT THE END OF LIFETIME

**Disposal of electric and electronic equipment (valid in EU member countries and other European countries with an implemented recycling system)**

The represented symbol on the product or package means the product shall not be treated as domestic waste. Hand over the product to the specified location for recycling electric and electronic equipment. Prevent negative impacts on human health and the environment by properly recycling your product. Recycling contributes to preserving natural resources. For more information on the recycling of this product, refer to your local authority, domestic waste processing organization or store, where you purchased the product.



08/05



This product complies with EU directives on electromagnetic compatibility and electrical safety.

The operating manual is available on internet at [www.ecg-electro.eu](http://www.ecg-electro.eu).

Changes of text and technical parameters reserved.

## SICHERHEITSHINWEISE

**Bitte aufmerksam lesen und gut aufbewahren!**

**Warnung:** Die in dieser Anleitung angeführten Sicherheitsvorkehrungen und Hinweise umfassen nicht alle Umstände und Situationen, zu denen es kommen könnte. Der Anwender muss begreifen, dass der gesunde Menschenverstand, Vorsicht und Sorgfalt zu Faktoren gehören, die sich in kein Produkt einbauen lassen. Diese Faktoren müssen durch den Anwender bzw. mehrere Anwender bei der Verwendung und Bedienung dieses Gerätes gewährleistet werden. Wir haften nicht für Schäden, die während des Transports, infolge einer falschen Verwendung, Veränderung oder Modifikation der Geräteteile entstanden sind.

Bevor Sie das Gerät benutzen, lesen Sie diese Anleitung sorgfältig durch und sehen Sie sich die Bilder an. Bewahren Sie die Anleitung für den künftigen Gebrauch auf. Das Zubehör kann zusätzliche Gebrauchsanweisungen enthalten.

Um das Risiko von Bränden oder Stromschlägen zu vermeiden, sollten bei der Verwendung elektrischer Geräte immer die grundlegenden Vorsichtsmaßnahmen befolgt werden, einschließlich der folgenden:

1. Vergewissern Sie sich, dass die Spannung in Ihrer Steckdose mit der Spannung auf dem Geräteschild übereinstimmt und die Steckdose ordnungsgemäß geerdet wurde. Die Steckdose muss gemäß geltender elektrotechnischer Norm (EN) installiert werden.
2. Gerät niemals verwenden, falls das Stromkabel beschädigt ist.  
**Sämtliche Reparaturen und das Auswechseln des Stromkabels sollten einem Fachservice anvertraut werden! Demontieren Sie niemals die Schutzabdeckungen des Gerätes. Dies könnte zu einem Stromunfall führen!**
3. Das Stromkabel darf nicht mit heißen Teilen in Berührung kommen oder über scharfe Kanten führen.
4. Schützen Sie das Gerät vor direktem Kontakt mit Wasser und sonstigen Flüssigkeiten, um Stromunfälle zu vermeiden.
5. Verwenden Sie das Gerät nicht im Freien oder in einer feuchten Umgebung. Stromkabel oder Gerät nicht mit nassen Händen berühren. Es könnte zu einem Stromunfall kommen.

6. Basis mit Motor und das Netzkabel nicht in Wasser oder andere Flüssigkeiten tauchen. Nicht unter fließendem Wasser abwaschen. Vermeiden Sie, dass Flüssigkeiten in die Motoreinheit gelangen.
7. Seien Sie aufmerksam, falls Sie das Gerät in der Nähe von Kindern verwenden.
8. Das Gerät sollte während des Betriebes nicht unbeaufsichtigt gelassen werden.
9. Das Verbrauchsgerät sollte nicht unbeaufsichtigt gelassen werden, falls dieses an das Stromnetz angeschlossen ist.
10. Schalten Sie das Gerät aus und trennen Sie es vom Stromnetz, bevor Sie Wartungs-, Montage oder Demontearbeiten durchführen, das Zubehör auswechseln oder wenn Sie das Gerät nicht mehr benutzen. Ziehen Sie nicht am Kabel, um den Stecker aus der Steckdose zu ziehen. Ziehen Sie am Stecker, um das Kabel aus der Steckdose zu ziehen.
11. Warten Sie immer, bis alle Teile vollständig zum Stillstand gekommen sind, bevor Sie sie demontieren. Der Verbraucher benötigt etwa 30 Minuten zum Abkühlen. Halten Sie diese Zeit ein, um eine sichere Manipulation und Reinigung zu gewährleisten.
12. Gerät nicht in der Nähe von Wärmequellen verwenden (z.B. Kochherd). Gerät vor direkter Sonnenstrahlung schützen.
13. Stellen Sie das Gerät nicht an die Wand oder auf andere Geräte. Sorgen Sie für mindestens 10 cm Freiraum auf der Rück- und Seitenseite und für 10 cm Freiraum über dem Verbraucher.
14. Gerät stets auf einer geraden und stabilen Oberfläche verwenden. Platzieren Sie auf den Verbraucher keine Gegenstände.
15. Vor dem ersten Gebrauch empfehlen wir, alle Teile, die mit Lebensmitteln in Berührung kommen, zu waschen, siehe Kapitel "Reinigung und Wartung".
16. Seien Sie beim Umgang mit den Hackmessern besonders vorsichtig, vor allem beim Herausnehmen und Reinigen, da die Messer sehr scharf sind und Verletzungen verursachen können.
17. Ziehen Sie die Sicherungsmutter des Geräts vor der Inbetriebnahme sorgfältig an. Ziehen Sie die Mutter niemals mit Gewalt an!
18. Gerät niemals während des Betriebs zudecken oder in der Nähe von brennbaren Materialien verwenden (z.B. Gardinen).

19. Verwenden Sie niemals Ihre Finger, Küchenutensilien oder andere Gegenstände, um Lebensmittel in das Gerät zu stopfen! Verwenden Sie ausschließlich den mitgelieferten Stopfer. Verwenden Sie angemessene Kraft. Ein zu hoher Druck kann das Gerät beschädigen.
20. Niemals die beweglichen Geräteteile berühren!
21. Lange Haare, lose Kleidung oder Accessoires und Schmuck können durch die rotierenden Teilen des Geräts erfasst werden.  
**Achten Sie darauf, dass Ihre Haare, Kleidung und Accessoires nicht gefährlich nahe an die rotierenden Teile kommen!**
22. Gerät niemals ohne eingelegte Lebensmittel (leer) einschalten!
23. Entfernen Sie Sehnen und Knochen vom Fleisch und zerkleinern Sie es in etwa 20 mm × 20 mm × 60 große Stücke.
24. Wenn das Mahlwerk stecken bleibt, versetzen Sie den Schalter in die Position Zurück (REV). Das eingeklemmte Fleisch wird freigegeben und das Gerät kehrt zu seiner ursprünglichen Funktion zurück.
25. Reinigen Sie das Gerät unmittelbar nach jedem Gebrauch. Wischen Sie den Gerätekörper nur mit einem feuchten Tuch ab. Tauchen Sie es nicht in Wasser ein.
26. Verwenden Sie kein Zubehör, das nicht vom Hersteller empfohlen wurde. Dies könnte zur Nichtanerkennung der Garantie führen.
27. Lassen Sie das Gerät niemals länger als 5 Minuten ununterbrochen laufen. Lassen Sie das Gerät nach 5 Minuten Betrieb etwa 10 Minuten abkühlen, bevor Sie es wieder benutzen. Gerät niemals länger als 30 Minuten laufen lassen.
28. Verwenden Sie das Gerät ausschließlich gemäß den in dieser Bedienungsanleitung aufgeführten Anweisungen.
29. Dieses Gerät ist ausschließlich für den Haushaltsgebrauch bestimmt. Sie ist nicht für kommerzielle Zwecke bestimmt.
30. Dieses Gerät ist für die Verarbeitung von Fleisch ohne Knochen, Sehnen und Fett vorgesehen. Versuchen Sie nicht, Knochen, Nüsse oder andere harte Gegenstände zu zerkleinern.
31. Der Hersteller übernimmt keine Haftung für Schäden, die auf eine unsachgemäße Anwendung zurückzuführen sind.
32. Dieses Gerät darf nicht von Kindern bedient werden. Gerät sowie Stromkabel außer Reichweite von Kindern halten. Personen

mit verminderten physischen, sensorischen und mentalen Fähigkeiten sowie mangelnden Erfahrungen und Kenntnissen, können dieses Gerät nur unter Aufsicht benutzen, oder nachdem diese über einen gefahrlosen Gebrauch belehrt und mit möglichen Gefahren bekannt gemacht wurden. Kinder dürfen nicht mit dem Gerät spielen.

**Gefahr von Sachschäden:** Das Gerät darf nur verwendet werden, wenn es ordnungsgemäß und vollständig zusammengebaut ist.

## Do not immerse in water! – Nicht ins Wasser tauchen!

**GEFAHR für Kinder:** Kinder dürfen nicht mit dem Verpackungsmaterial spielen. Kinder dürfen nicht mit den Kunststoffbeuteln spielen. Erstickungsgefahr.

### GEBRAUCHSHINWEISE

#### Vor der Erstverwendung

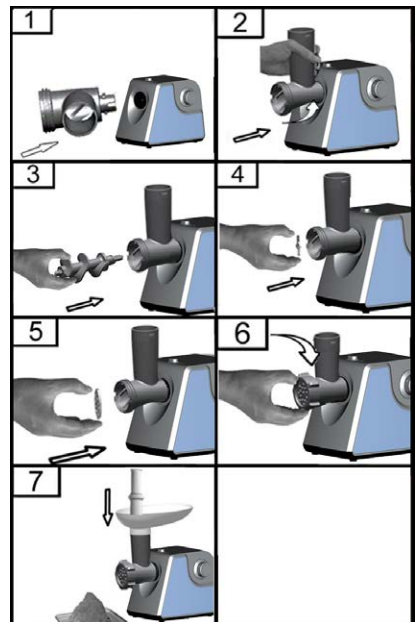
- Gerät vorsichtig auspacken und sämtliches Verpackungsmaterial und Werbeetiketten entfernen.
- Gerät reinigen und gut trocknen, siehe Kapitel „Reinigung und Wartung“.
- Reinigen Sie den Gerätekörper mit einem feuchten Tuch oder einem Schwamm.

**Hinweis:** Tauchen Sie den Gerätekörper oder das Netzkabel niemals in Flüssigkeiten ein.

**Bemerkung:** Wenn Sie das Gerät zusammenbauen oder Zubehör austauschen, schalten Sie das Gerät aus und trennen Sie es vom Stromnetz.

#### Montage

- Drücken Sie die Sicherungstaste und setzen Sie das Mahlwerk in den Flansch ein (achten Sie darauf, dass dieses schräg positioniert ist, siehe Abb. 1). Drehen Sie das Mahlwerk nach links, um es im Gerätekörper zu befestigen, siehe Abb. 2.
- Setzen Sie die Schnecke mit der längeren Welle in das Gerät ein, so dass sie in den Träger auf dem Gerätekörper passt (Abb. 3).
- Setzen Sie das drehbare Messer mit der Klinge (mit der flachen, scharfen Kante) nach vorne auf die Schneckenspitze auf (Abb. 4). Wenn es nicht richtig montiert ist, kann das Fleisch nicht gemahlen werden.
- Legen Sie nun das Sieb mit der gewählten Grobheit in das Gerät ein. Achten Sie darauf, dass er in die Vorsprünge auf dem Gerät passt (Abb. 5).



- Halten Sie das Sieb in der Mitte und befestigen Sie es mit der Sicherungsmutter auf dem Gerät (Abb. 6). Ziehen Sie die Mutter im Uhrzeigersinn an, ohne sie zu überdrehen.
- Setzen Sie die Fleischschale auf den Hals des Geräts auf und befestigen Sie sie.
- Stellen Sie das Gerät auf eine geeignete ebene Fläche.
- Lassen Sie an den Seiten des Geräts etwa 10 cm Freiraum, damit Luft eindringen kann.

## Zubereitung von Fleisch

Schneiden Sie das Fleisch in 10 cm lange und etwa 2 cm dicke Streifen. Entfernen Sie die Knochen, Knorpeln, Borsten und Sehnen. (Niemals gefrorenes Fleisch zerkleinern!) Geben Sie das Fleisch in die Fleischschale. Drücken Sie das Fleisch mit dem Stopfer vorsichtig in den Hals des Fleischwolfs. (Für Beefsteak-Tatar muss das Fleisch zweimal gemahlen werden.)

## Zubereitung von Kibbeh

Kibbeh ist ein traditionelles Gericht aus dem Nahen Osten, das hauptsächlich aus gehacktem Lammfleisch und Bulgur zubereitet und zu gefüllten Knödeln geformt wird. Die im Fleischwolf geformte Rolle kann mit Hackfleisch gefüllt, geschlossen und frittiert werden.

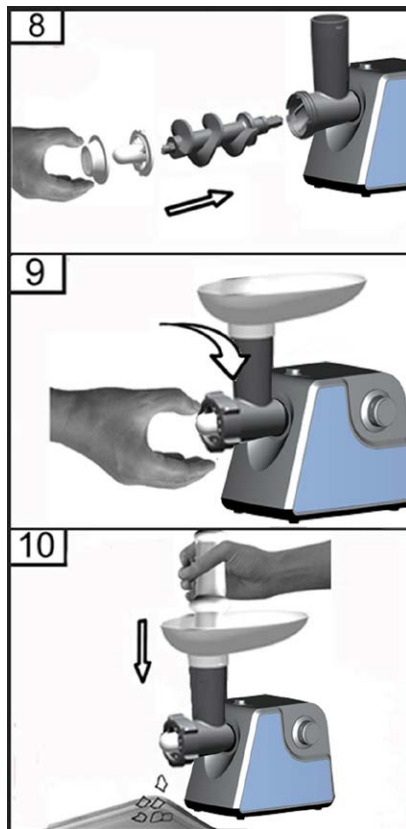
1. Setzen Sie die Schnecke in das Gerät ein (Abb. 8). Setzen Sie den Kibbeh-Aufsatz auf die Welle der Schnecke. Achten Sie darauf, dass er in die Vorsprünge auf dem Gerät passt, und ziehen Sie ihn mit der Sicherungsmutter fest (Abb. 9).
  2. Setzen Sie die Fleischschale auf den Hals des Geräts auf.
  3. Das Gerät ist jetzt betriebsbereit (Abb. 10).
- Drücken Sie die Bulgur-Mischung mit dem Stopfer vorsichtig in den Hals des Geräts ein. Befüllen Sie die entstandene hohle Rolle mit Hackfleisch und trennen Sie sie je nach Bedarf.

## Zubereitung von Würstchen

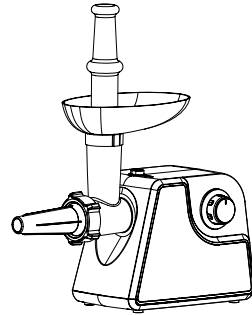
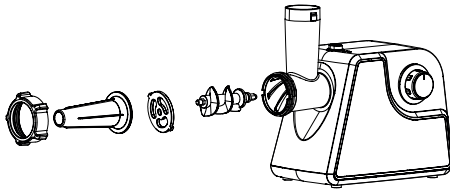
1. Mahlen Sie das Fleisch und bereiten Sie eine Wurstmasse vor. Setzen Sie den Separator auf die Spitze der Schnecke auf. Achten Sie darauf, dass er in die Vorsprünge auf dem Gerät passt, setzen Sie den Würstchen-Aufsatz auf und ziehen Sie die Sicherungsmutter fest (Abb. 11).
2. Setzen Sie die Fleischschale auf den Hals des Geräts auf.
3. Jetzt ist das Gerät bereit für die Zubereitung von Würstchen.

Geben Sie die Mischung in die Fleischschale. Drücken Sie die Mischung mit dem Stopfer vorsichtig in den Hals des Fleischwolfs.

Weichen Sie die Wursthaut 10 Minuten lang in lauwarmem Wasser ein. Setzen Sie dann die feuchte Wursthaut auf den Aufsatz zum Befüllen der Würstchen. Schließen Sie die Wursthaut und drücken Sie die vorbereitete (gewürzte) Mischung mit Hilfe des Fleischwolfs hinein. Wenn die Wursthaut am Aufsatz kleben bleibt, befeuchten Sie sie mit Wasser.



11



## INSTANDHALTUNG UND REINIGUNG

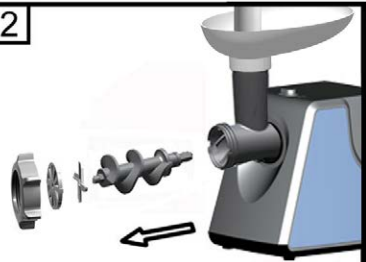
Reinigen Sie das Gerät unmittelbar nach jedem Gebrauch.

Warten Sie immer, bis alle Teile vollständig zum Stillstand gekommen sind, bevor Sie sie demontieren. Das Gerät benötigt etwa 30 Minuten zum Abkühlen. Halten Sie diese Zeit ein, um eine sichere Manipulation und Reinigung zu gewährleisten.

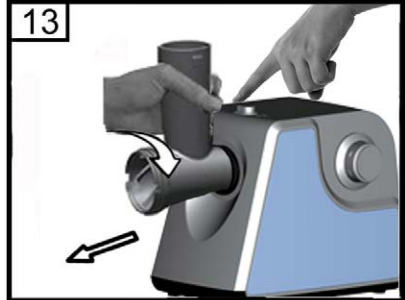
Das im Fleischwolf aufgefangene Fleisch kann grob gereinigt werden, indem ein Brötchen oder eine Scheibe Brot im Fleischwolf gemahlen wird. **Seien Sie bei der Reinigung besonders vorsichtig, da die Klingen sehr scharf sind.**

1. Bevor Sie das Gerät erneut reinigen, schalten Sie es aus und trennen Sie es vom Stromnetz.
2. Schrauben Sie die Sicherungsmutter ab und entfernen Sie alle Teile des Geräts (Abb. 12).
3. Drücken Sie die Sicherungstaste, drehen Sie das Mahlwerk in Pfeilrichtung und trennen Sie es vom Gerätekörper. Nehmen Sie den Stopfer und die Fleischschale heraus. (Abb. 13)
4. Waschen Sie das Gerät und sämtliches Zubehör (Stopfer, Fleischschale, Schnecke, Klingen, Siebe, Separatoren, Aufsätze sowie die Sicherungsmutter) in heißem Wasser und Reinigungsmittel.
5. Spülen Sie sie mit sauberem, heißem Wasser ab und trocknen Sie sie sofort.
6. Wir empfehlen, die Innenseite des Mahlwerks und des Siebs mit Speiseöl zu bestreichen.

12



13



**Bemerkung:** Waschen Sie keine Teile oder Zubehör des Geräts in der Spülmaschine.

Gerät nach dem Gebrauch mit einem feuchten Tuch abwischen und anschließend mit einem Küchentuch trocken wischen. Gerät vor Wasser und großer Feuchtigkeit schützen! Tauchen Sie es nicht in Wasser ein.

- Benutzen Sie bei der Reinigung keine Verdüner, Benzol oder sonstige aggressive oder scheuernde Reinigungsmittel.
- Gerät vor direkter Sonnenstrahlung und feuchter Umgebung schützen.



## TECHNISCHE ANGABEN

Nennspannung: 220–240 V ~ 50-60 Hz  
Anschlusswert: 300 W

## VERWERTUNG UND ENTSORGUNG VON ABFALL

Verpackungspapier und Wellenpappe an einer Sammelstelle abgeben. Verpackungsfolie, PET-Beutel und Kunststoffteile gehören in Sammelcontainer für Kunststoff.

## ENTSORGUNG DES PRODUKTES NACH ABLAUF SEINER LEBENSDAUER

### **Entsorgung von gebrauchten elektrischen und elektronischen Geräten (gültig in den Mitgliedsländern der EU und anderen europäischen Ländern, in denen das Abfalltrennungssystem eingeführt ist)**

Das abgebildete Symbol auf dem Produkt oder auf der Verpackung weist darauf hin, dass das Produkt nicht in den Hausmüll gehört. Das Produkt sollte an einem Ort abgegeben werden, der für die Wiederverwertung von elektrischen und elektronischen Geräten bestimmt ist. Eine richtige Entsorgung des Produktes beugt negativen Einflüssen auf die menschliche Gesundheit und die Umwelt vor. Die Wiederverwertung trägt zum Schutz der Natursressourcen bei. Weitere Informationen über die Wiederverwertung des Produktes erhalten Sie über das Gemeindeamt, eine Organisation, die sich mit der Behandlung von Hausmüll befasst, oder die Verkaufsstelle, an der das Produkt erworben wurde.



08/05

Dieses Produkt erfüllt sämtliche Anforderungen der EU-Richtlinien über die elektromagnetische Kompatibilität und elektrische Sicherheit.



Die Bedienungsanleitung ist der Website [www.ecg-electro.eu](http://www.ecg-electro.eu) zu entnehmen. Änderungen des Textes und der technischen Parameter sind vorbehalten.

## BEZPEČNOSTNÍ POKYNY

### Čtete pozorně a uschovejte pro budoucí potřebu!

**Varování:** Bezpečnostní opatření a pokyny uvedené v tomto návodu nezahrnují všechny možné podmínky a situace, ke kterým může dojít. Uživatel musí pochopit, že faktorem, který nelze zabudovat do žádného z výrobků, je zdravý rozum, opatrnost a péče. Tyto faktory tedy musí být zajištěny uživatelem/uživateli používajícími a obsluhujícími toto zařízení. Neodpovídáme za škody způsobené během přepravy, nesprávným používáním nebo změnou či úpravou jakékoliv části zařízení.

Před použitím spotřebiče si pozorně přečtete tento návod a prohlédněte obrázky. Uchovejte jej pro další potřebu. Příslušenství může obsahovat další návody k použití.

Aby nedošlo ke vzniku požáru nebo k úrazu elektrickým proudem, měla by být při používání elektrických zařízení vždy dodržována základní opatření, včetně těch následujících:

1. Ujistěte se, že napětí ve vaší zásuvce odpovídá napětí uvedenému na štítku zařízení a že je zásuvka řádně uzemněná. Zásuvka musí být instalována podle platné elektrotechnické normy ČSN.
2. Nikdy spotřebič nepoužívejte, pokud je přívodní kabel poškozen.  
**Veškeré opravy včetně výměny napájecího přívodu světe odbornému servisu! Nedemontujte ochranné kryty zařízení, hrozí nebezpečí úrazu elektrickým proudem!**
3. Přívodní kabel se nesmí dotýkat horkých částí ani vést přes ostré hrany.
4. Chraňte spotřebič před přímým kontaktem s vodou a jinými tekutinami, aby nedošlo k případnému úrazu elektrickým proudem.
5. Nepoužívejte spotřebič venku a ve vlhkém prostředí, ani se nedotýkejte přívodního kabelu nebo spotřebiče mokřkýma rukama. Hrozí nebezpečí úrazu elektrickým proudem.
6. Základnu s motorem a napájecí šňůru neponořujte do vody ani jiné kapaliny. Neoplachujte pod tekoucí vodou. Zabraňte vniknutí kapaliny do jednotky s motorem.
7. Dbejte zvýšené pozornosti, pokud používáte spotřebič v blízkosti dětí.
8. Spotřebič by nemel být ponechán během chodu bez dozoru.

9. Doporučujeme nenechávat spotřebič se zasunutým přívodním kabelem v zásuvce bez dozoru.
10. Před údržbou, montáží/demontáží, výměnou příslušenství, nebo nebudete-li spotřebič dále používat, spotřebič vypněte a vytáhnete přívodní kabel ze síťové zásuvky. Vidlici nevytahujte ze zásuvky taháním za kabel. Kabel odpojte ze zásuvky uchopením za vidlici.
11. Před rozebíráním vždy vyčkejte úplného zastavení všech částí. Spotřebič potřebuje přibližně 30 minut na vychladnutí pro bezpečnou manipulaci a čištění.
12. Nepoužívejte spotřebič v blízkosti zdroje tepla, např. trouby. Chraňte jej před přímým slunečním zářením.
13. Neumísťujte spotřebič na stěnu ani na jiné spotřebiče. Ponechejte alespoň 10 cm volného místa na zadní a boční straně a 10 cm volný prostor nad spotřebičem.
14. Spotřebič vždy používejte na rovném a stabilním povrchu. Na spotřebič neumísťujte žádné předměty.
15. Před prvním použitím doporučujeme všechny části, které přicházejí do styku s potravinami omýt viz kapitola „čištění a údržba“.
16. Při manipulaci se sekacími čepelími, zvláště při jejich vyjímání a během čištění, dbejte zvýšené opatrnosti, nože jsou velmi ostré a mohou způsobit poranění.
17. Před spuštěním pozorně utáhněte pojistnou matici strojku. Nikdy matici nepřetahujte násilím!
18. Spotřebič v žádném případě během provozu nezakrývejte ani nepoužívejte v blízkosti hořlavých materiálů, např. záclon a podobně.
19. K pěchování potravin do spotřebiče nikdy nepoužívejte prsty, kuchyňské náčiní nebo jiné předměty! Používejte výhradně pěchovadlo dodávané se spotřebičem. Použijte přiměřenou sílu. Při přílišném tlaku by mohlo dojít k poškození spotřebiče.
20. Nedotýkejte se pohybujících se částí!
21. Dlouhé vlasy, volný oděv nebo doplňky a šperky mohou být zachyceny rotujícími částmi spotřebiče. **Dbejte na to, aby se Vaše vlasy, oděv a doplňky se nedostaly do nebezpečné blízkosti rotujících částí!**
22. Nezapínejte spotřebič bez vložených potravin (naprázdno)!

23. Melte maso zbavené šlach a kostí, předem rozřezané na kousky velikosti cca 20 mm × 20 mm × 60 mm.
24. Jestliže dojde k zaseknutí mlýnku, otočte vypínač do polohy Zpět (REV). Maso zaseklé v mlýnku se tím uvolní a strojek se vrátí k původní funkci.
25. Spotřebič čistěte bezprostředně po každém použití. Tělo spotřebiče při čištění otírejte pouze vlhkým hadříkem. Nenamáčejte jej do vody.
26. Nepoužívejte příslušenství, které není doporučeno výrobcem, jinak se vystavujete riziku ztráty záruky.
27. Přístroj nikdy nenechávejte nepřetržitě v chodu déle než 5 minut. Po 5ti minutách chodu nechejte přístroj před dalším použitím cca 10 minut zchladnout. Nenechávejte spotřebič v provozu celkově déle než 30 minut.
28. Spotřebič používejte pouze v souladu s pokyny uvedenými v tomto návodu.
29. Tento spotřebič je určen pouze pro domácí použití. Není určen pro komerční účely.
30. Tento spotřebič je určen ke zpracování masa bez kostí šlach a tuku. Nepokoušejte se mlít kosti, oříšky ani jiné tvrdé předměty.
31. Výrobce neodpovídá za škody způsobené nesprávným použitím tohoto zařízení.
32. Tento spotřebič nesmějí používat děti. Udržujte spotřebič a jeho přívod mimo dosah dětí. Spotřebiče mohou používat osoby se sníženými fyzickými, smyslovými či mentálními schopnostmi nebo nedostatkem zkušeností a znalostí, pokud jsou pod dozorem nebo byly poučeny o používání spotřebiče bezpečným způsobem a rozumí případným nebezpečím. Děti si se spotřebičem nesmějí hrát.

**Nebezpečí škody na majetku:** Spotřebič smí být používán pouze tehdy, je-li řádně a kompletně sestaven.

**Do not immerse in water! – Neponořovat do vody!**

**NEBEZPEČÍ pro děti:** Děti si nesmějí hrát s obalovým materiálem. Nenechte děti hrát si s plastovými sáčky. Nebezpečí udušení.

# POKYNY K POUŽÍVÁNÍ

## Před prvním použitím

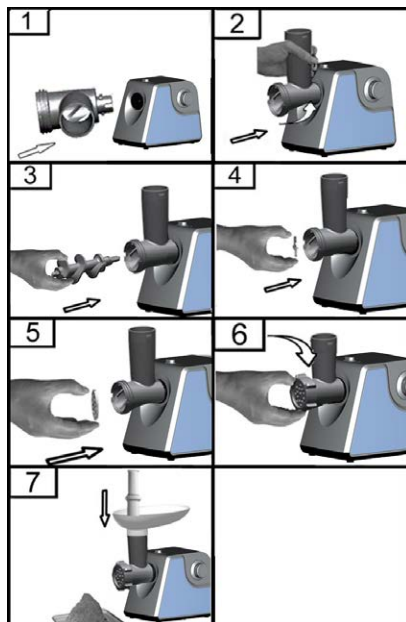
- Spotřebič opatrně vybalte a odstraňte všechny obalový materiál a reklamní nálepky.
- Strojek a příslušenství očistěte viz kapitola „Čištění a údržba“.
- Tělo mlýnku očistěte vlhkým hadříkem nebo houbičkou.

**Upozornění:** Tělo mlýnku ani příwodní kabel nikdy nenamáčejte ani neponořujte do kapalin.

**Poznámka:** Při sestavování mlýnku nebo výměně příslušenství spotřebič vypněte a odpojte od elektrické sítě.

## Sestavení

- Stiskněte tlačítko pojistky a vložte strojek do příruby (dbejte na to, aby byl natočen šikmo viz obr. 1). Otočením doleva strojek utáhněte v těle mlýnku viz obr. 2.
- Do strojku vložte šnek delší hřídel tak, aby zapadl do unašeče v těle mlýnku (obr. 3).
- Nasadte otočný nůž na čep šneku čepelimi (plochou, ostrou hranou) dopředu podle obrázku (obr. 4). Nasadíte-li jej nesprávně, maso se nebude mlít.
- Nyní nasadte do strojku sítko zvolené hrubosti. Dbejte na to, aby zapadlo do výstupků na strojku (obr.5).
- Sítko přidrďte za střed a zajistěte jej ve strojku pojistnou maticí (obr. 6). Matici utahujte ve směru hodinových ručiček, příliš ji nepřetahujte.
- Misku na maso nasadte na jícen strojku a upevněte ji.
- Postavte mlýnek na vhodné rovné místo.
- Po stranách mlýnku nechte cca 10 cm volné místo pro přístup vzduchu.



## Příprava masa

Maso nakrájejte na proužky 10 cm dlouhé a cca 2 cm silné. Odstraňte kosti, chrupavky, štětiny a šlachy. (Nikdy nemelte zmrzlé maso!)

Maso připravte na misku mlýnku. Pěchovadlem jemně zatlačujte maso do jícnu mlýnku. (Na tatarský biftek melte maso dvakrát.)

## Příprava kebbe

Kebbe je tradiční pokrm Středního Východu připravený primárně z mletého jehněčího masa a bulguru, z něhož se formují plněné knedlíčky. Váleček vytvořený mlýnkem můžete plnit mletým masem, uzavřít a fritovat.

1. Vložte šnek do strojku (obr. 8). Na hřídel šneku nasadte nástavec na kebbe. Dbejte na to, aby zapadl do výstupků na strojku a utáhněte jej pojistnou maticí (obr. 9).
2. Misku na maso nasadte na jícen strojku.
3. Nyní je spotřebič připraven k výrobě kebbe (obr. 10).

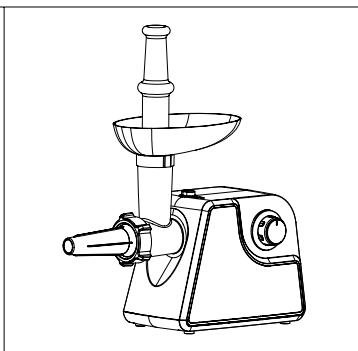
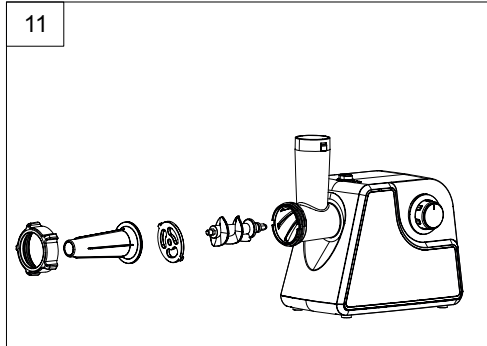
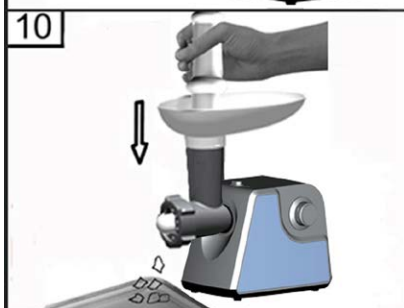
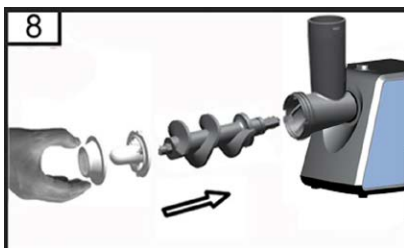
Pěchovadlem jemně zatlačujte bulgurovou směs do jícnu strojku. Vznikající dutý váleček směsi naplňte mletým masem a dělte dle potřeby.

## Příprava klobás

1. Namelte maso a připravte směs na klobásy. Na hřídel šneku nasadte separátor. Dbejte na to, aby zapadl do výstupků na strojku, dále vložte nástavec na klobásy a utáhněte jej pojistnou maticí (obr. 11).
2. Misku na maso nasadte na jícen mlýnku.
3. Nyní je spotřebič připraven k výrobě klobás.

Směs připravte na misku mlýnku. Pěchovadlem jemně zatlačujte směs do jícnu mlýnku.

Namočte střívko na 10 minut do vlažné vody. Pak vlhké střívko navlečte na nástavec na plnění klobás. Střívko uzavřete a vtlačujte do něj připravenou (kořeněnou) směs pomocí mlýnku. Jestliže se střívko přichytí k nástavci, zvlhčete je vodou.



## ÚDRŽBA A ČIŠTĚNÍ

Čištění provádějte bezprostředně po každém použití. Před rozebíráním vždy vyčkejte úplného zastavení všech částí. Spotřebič potřebuje přibližně 30 minut na vychladnutí pro bezpečnou manipulaci a čištění.

Maso zachycené v mlýnku zhruba vyčistíte semletím rohlíku nebo krajíce chleba. **Při čištění dbejte zvýšené opatrnosti, čepele jsou velmi ostré.**

1. Před dalším čištěním výrobku jej nejprve vypněte a odpojte přívod ze zásuvky.
2. Odšroubujte pojistnou matici a vyjměte všechny části strojek (obr. 12).
3. Stiskněte tlačítko pojistky, otočte strojek ve směru šipky a odpojte jej od těla mlýnku. Vyjměte pěchovadlo a misku na maso. (obr. 13)
4. Umyjte strojek a veškeré příslušenství (pěchovadlo, misku na maso, šnek, čepele, sítko, separátory a nástavce i pojistnou matici) v horké vodě se saponátem.
5. Opláchněte je čistou horkou vodou a okamžitě osušte.
6. Doporučujeme potříit vnitřek mlýnku a sítko jedlým olejem.

**Poznámka:** Žádné díly ani příslušenství tohoto spotřebiče nemyjte v myčce nádobí.

Po použití očistíte tělo spotřebiče vlhkým hadříkem a poté důkladně osušte suchou utěrkou. Spotřebič chraňte před vodou a vysokou vlhkostí! Nenamáčejte jej do vody.

- K čištění nepoužívejte ředidlo, benzen a jiné agresivní či abrazivní čisticí prostředky.
- Chraňte před přímým sluncem a vlhkým prostředím.

## TECHNICKÉ ÚDAJE

Jmenovité napětí: 220–240 V ~ 50–60 Hz

Jmenovitý příkon: 300 W

## VYUŽITÍ A LIKVIDACE ODPADU

Balící papír a vlnitá lepenka – odevzdat do sběrných surovin. Přebalová folie, PE sáčky, plastové díly – do sběrných kontejnerů na plasty.

## LIKVIDACE VÝROBKU PO UKONČENÍ ŽIVOTNOSTI

**Likvidace použitých elektrických a elektronických zařízení (platí v členských zemích EU a dalších evropských zemích se zavedeným systémem třídění odpadu)**

Vyobrazený symbol na produktu nebo na obalu znamená, že s produktem by nemělo být nakládáno jako s domovním odpadem. Produkt odevzdejte na místo určené pro recyklaci elektrických a elektronických zařízení. Správnou likvidaci produktu zabráníte negativním vlivům na lidské zdraví a životní prostředí. Recyklace materiálů přispívá k ochraně přírodních zdrojů. Více informací o recyklaci tohoto produktu Vám poskytne obecní úřad, organizace pro zpracování domovního odpadu nebo prodejní místo, kde jste produkt zakoupili.



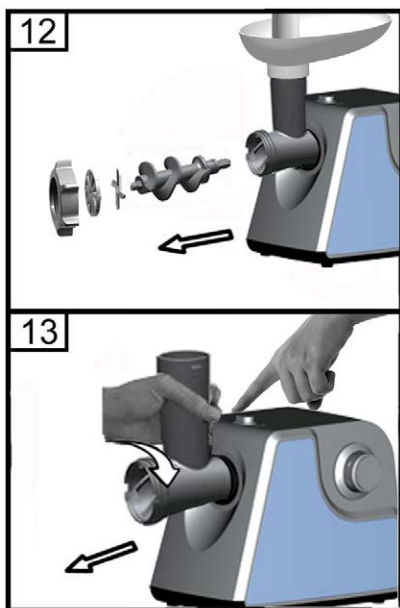
08/05

Tento výrobek splňuje požadavky směrnice EU o elektromagnetické kompatibilitě a elektrické bezpečnosti.



Návod k obsluze je k dispozici na webových stránkách [www.ecg-electro.eu](http://www.ecg-electro.eu).

Změna textu a technických parametrů vyhrazena.



## OHUTUSJUHISED

### Tutvuge põhjalikult ning säilitage edaspidiseks kasutamiseks!

**Tähelepanu:** Juhendis sisalduvad ohutusabinõud ja juhised ei hõlma kõiki võimalikke tingimusi ja olukordasid. Kasutaja peab teadvustama, et terve mõistus, tähelepanu ja ettevaatus on tegurid, mida ei saa toodetesse integreerida. Seetõttu peab need tegurid tagama seadme kasutaja. Me ei vastuta kahjude eest, mille on põhjustanud transport, väärkasutamine või toote mis tahes osa vahetamine või muutmine.

Enne seadme kasutamist tutvuge põhjalikult selle kasutusjuhendiga ja vaadake selles olevaid pilte. Hoidke see alles edaspidiseks kasutamiseks. Tarvikud võivad sisaldada täiendavaid kasutusjuhendeid.

Tulekahju või elektrilöögi riski vähendamiseks järgige seadme kasutamise ajal põhilisi ettevaatusabinõusid, sealhulgas alljärgnevat:

1. Veenduge, et toitevõrgu pingeline vastab seadme andmesildil näidatud pingega ning, et pistikupesa on nõuetekohaselt maandatud. Pistikupesa tuleb paigaldada vastavalt kehtivatele EL elektrieeskirjadele.
2. Ärge kunagi kasutage kahjustatud toitejuhtmega seadet. **Kõik remondid, sealhulgas toitejuhtme asendused, teostatakse vastavas teeninduskeskuses! Ärge eemaldage seadme kaitsekatteid, see võib põhjustada elektrilööki!**
3. Ärge laske toitejuhtmel kokku puutuda kuumade pindadega ning ärge jätke seda teravatele servadele.
4. Elektrilöögi ärahoidmiseks kaitske seadet otsese kokkupuutumise eest veega ja teiste vedelikega.
5. Ärge kasutage seadet välistingimustes ning niiskes keskkonnas ning ärge puudutage toitejuhet või seadet märgade kätega. Elektrilöögi oht.
6. Ärge sukeldage mootoriplokki ja toitejuhet vee või muu vedeliku sisse. Ärge loputage jooksva vee all. Hoidke ära vee sattumine mootoriga seadmesse.
7. Seadme kasutamisel laste läheduses olge eriti ettevaatlikud.
8. Ärge jätke töötavat seadet järelevalveta.
9. Ärge jätke toitevõrku ühendatud seadet järelevalveta.



10. Enne hooldust, kokku-/lahtivõtmist, tarvikute vahetamist või seadme pikemaajalisel mittekasutamisel, lülitage seade välja ja eemaldage vooluvõrgust. Toitevõrgust lahtiühendamisel ärge tõmmake toitejuhtmest. Toitevõrgust lahtiühendamisel tõmmake pistikust.
11. Enne koost lahtivõtmist veenduge, et kõik osad on täielikult peatunud. Ohutuks käsitlemiseks ja puhastamiseks peab seade umbes 30 minuti jahtuma.
12. Ärge kasutage seadet soojusallikate, näiteks ahju läheduses. Kaitske seda otsese päikesevalguse eest.
13. Ärge asetage seadet seinale või mistahes muu seadme peale. Jätke seadme taha, külgedele ja seadme kohale 10 cm vaba ruumi.
14. Kasutage seadet alati tugeval ja stabiilsel aluspinnal. Ärge asetage seadmele kõrvalisi esemeid.
15. Enne esmakordset kasutamist soovitame pesta kõik toiduga kokkupuutuvad osad, vt peatükki "Puhastamine ja hooldus".
16. Lõiketerade käsitlemisel, eriti nende eemaldamise ja puhastamise ajal olge ettevaatlik, kuna lõiketerad on väga teravad ja võivad põhjustada vigastusi.
17. Enne seadme käivitamist keerake lukustusrõngas ettevaatlikul kinni. Vältige mutri ülepingutamist!
18. Ärge kunagikatkeseadet ning ärge kasutage seda kergestisüttivate materjalide, näiteks kardinat jne. läheduses.
19. Ärge kunagi kasutage toiduainete seadmesse surumiseks sõrmi, köögiriistu ega muid esemeid! Kasutage ainult seadmega kaasasolevat tõukurit. Rakendage mõistlikku jõudu. Ülemäärane surve võib seadet kahjustada.
20. Ärge puudutage liikuvaid osi.
21. Pikad juuksed, lahtised riided või aksessuaarid ja ehted või seadme pöörlevatesse osadesse kinni jääda. **Veenduge, et teie juuksed, riided ja aksessuaarid ei satuks pöörlevate osade ohtlikku lähedusse!**
22. Ärge lülitage seadet sisse ilma sisestatud toiduaineteta (tühjalt)!
23. Hakkige kõõluste ja luudeta liha, mis on eelnevalt lõigatud umbes 20 mm × 20 mm × 60 mm suurusteks tükkideks.

24. Kui hakklihamasin jääb kinni, siis viige lüliti vastassuunas pöörlemise (REV) asendisse. See vabastab hakklihamasinasse kinni jäänud liha ja viib masina algasendisse.
25. Puhastage seadet pärast igakordset kasutamist. Puhastamisel pühkige seadme korpust ainult niiske lapiga. Do not immerse in water!
26. Kasutage ainult tootja poolt soovitatud tarvikuid, vastasel juhul võib garantii kaotada kehtivuse.
27. Ärge laske seadmel kunagi töötada järjest kauem kui 5 minutit! Pärast 5-minutilist töötamist laske seadmel enne järgmist kasutamiskorda 10 minuti jooksul maha jahtuda. Ärge laske seadmel kunagi töötada järjest kauem kui 30 minutit!
28. Kasutage seda seadet ainult vastavalt selle kasutusjuhendi juhistele.
29. See seade on ettenähtud kasutamiseks ainult koduses majapidamises. See ei ole ettenähtud kommertskasutuseks.
30. See seade on ette nähtud ilma kontideta, köörlusteta ja rasvata liha töötlemiseks. Ärge üritage purustada konte, pähkleid või muid kõvasid toiduaineid.
31. Valmistaja ei vastuta seadme mittenõuetekohasest kasutamisest põhjustatud kahjustuste eest.
32. Seade ei ole ettenähtud kasutamiseks laste poolt. Hoidke seadet ja selle toitejuhett lastele kättesaamatult. Seadet on lubatud kasutada vähendatud füüsiliste, sensoorsete või vaimsete võimetega isikutel, kui nad on järelevalve all või kui neile on selgitatud seadme ohutut kasutamist ning nad on teadlikud seadme kasutamisega seotud potentsiaalsetest riskidest. Ärge lubage lastel seadmega mängida.

**Vara kahjustamise risk:** Seadet tohib kasutada ainult siis, kui see on nõuetekohaselt ja täielikult kokku pandud.

**Do not immerse in water! – Ärge sukeldage vette!**

**OHT lastele:** Ärge lubage lastel pakkematerjalidega mängida. Ärge lubage lastel mängida plastkottidega. Lämpumise oht.

# KASUTUSJUHEND

## Enne esmakordset kasutamist

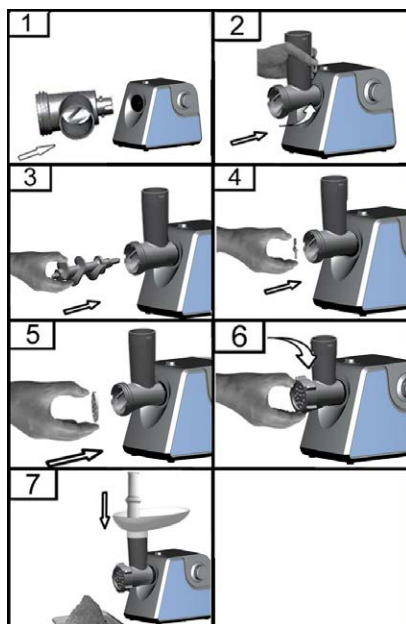
- Pakkige seade ettevaatlikult lahti ning eemaldage kõik pakkematerjalid ja reklaamkleebised.
- Puhastage masin ja tarvikud, vaadale peatükki „Puhastamine ja hooldus“.
- Puhastage hakklihamasina korpust niiske lapiga või käsnaaga.

**Hoiatus:** Ärge kunagi sukeldage hakklihamasina korpust ja toitejuhet vedelike sisse.

**Märkus:** Hakklihamasina kokkupanemisel või tarvikute vahetamisel lülitage seade välja ja ühendage vooluvõrgust lahti.

## Kokkupanek

- Vajutage turvanuppu ja sisestage masin äärikusse (veenduge, et see on pööratud nurga alla, vt joonis 1).
- Sisestage masin hakklihamasina korpusesse, keerates seda vasakule, vt joonis 2.
- Sisestage kruvikonveier pikema võlli kaudu masinasse nii, et see mahuks hakklihamasina korpusesse (Joonis 3).
- Sisestage pöörlev löiketera kruvi otsa nii, et labad (lame, terav serv) on suunatud ettepoole, nagu näidatud (Joonis 4). Kui sisestate selle mittenouetekohaselt, siis ei saa liha hakkida.
- Nüüd sisestage masinasse valitud augusuurusega plaat. Veenduge, et see sobitaks masinal olevatesse sakkidesse (Joonis 5).
- Hoidke aukudega plaati keskelt ja kinnitage see masinasse lukustusrõnga abil (Joonis 6). Pingutage rõngast päripäeva, vältige selle ülepingutamist.
- Asetage liha kaus masina lehrile ja kinnitage see.
- Paigutage hakklihamasin sobivale tasasele aluspinnale.
- Jätke hakklihamasina külgedele umbes 10 cm vaba ruumi õhu juurdepääsuks.



## Liha ettevalmistamine

Lõigake liha 10 cm pikkusteks ja umbes 2 cm paksusteks ribadeks. Eemaldage kondid, kõhred, harjased ja kõõlused. (Ärge kunagi hakkige külmutatud liha!)

Asetage liha hakklihamasina kausi. Kasutades tõukurit suruge liha ettevaatlikult hakklihamasina lehrisse. (Tartarpihvi valmistamiseks hakkige liha kaks korda.)

## Kibbe ettevalmistamine

Kibbe on traditsiooniline Lähis-Ida roog, mida valmistatakse peamiselt lambalihast ja bulgurist, millest vormitakse täidetud pelmeenid. Hakklihamasina valmistatud rulli saab täita hakklihaga, rull kinni suruda ja praadida.

1. Sisestage spiraalrull masinasse (Joonis 8). Asetage kibbe tarvik spiraalrulli võllile. Veenduge, et see mahuks masina eenditesse ja pingutage seda lukustusrõngaga (Joonis 9).
2. Asetage liha kaus hakklihamasina lehrile.
3. Seade on valmis kibbe valmistamiseks (Joonis 10).

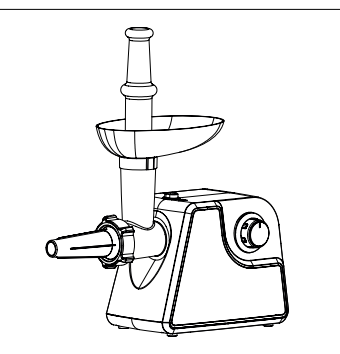
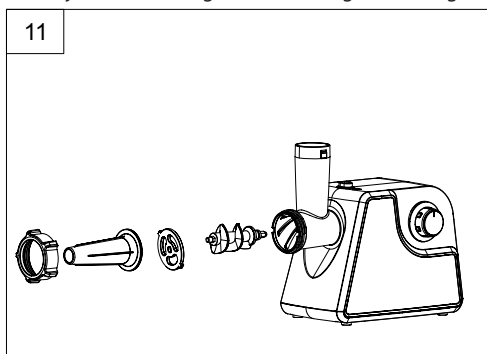
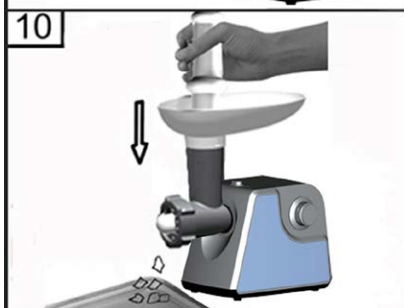
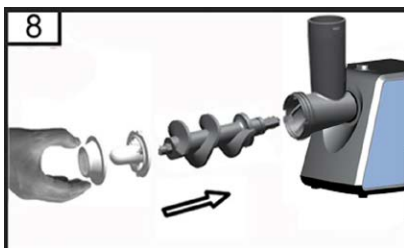
Lükake bulguri segu õrnalt tõukuriga masina lehrisse. Täitke saadud õones rull hakklihaga ja jaotage vastavalt vajadusele.

## Vorstide valmistamine

1. Hakkige liha ja valmistage ette vorstide segu. Asetage eraldaja spiraalrulli võllile. Veenduge, et see mahuks masina eenditesse, seejärel sisestage vorsti tarvik ja pingutage seda lukustusrõngaga (Joonis 11).
2. Sisestage liha kaus hakklihamasina lehrile.
3. Seade on nüüd valmis vorstide valmistamiseks.

Valmistage segu hakkliha masina kausis. Lükake segu õrnalt tõukuriga masina lehrisse.

Leotage vorstikesta 10 minutit leiges vees. Seejärel sisestage niiske kest vorsti täitmise tarvikule. Sulgege kest ja suruge ettevalmistatud (maitsestatud) segu hakklihamasina abil kesta sisse. Kui kest jääb tarvikule külge kinni, niisutage seda veega.



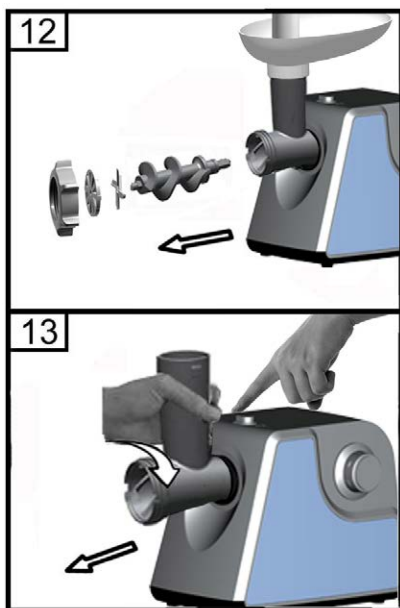
## HOOLDAMINE JA PUHASTAMINE

Puhastage koheselt pärast igakordset kasutamist. Enne koost lahtivõtmist veenduge, et kõik osad on täielikult peatunud. Ohutuks käsitlemiseks ja puhastamiseks peab seade umbes 30 minuti jahtuma.

Hakklihamasinasse sattunud liha saab suuremas osas eemaldada lõunase liarulli või leivaviili läbihakkimisega.

**Olge puhastamisel äärmisel ettevaatlik, löiketerad on väga teravad.**

1. Enne puhastamist lülitage seade välja ja ühendage seade toitevõrgust lahti.
2. Keerake lukustusrõngas lahti ja eemaldage kõik masina osad (Joonis 12).
3. Vajutage lukustusnuppu, keerake masinat noole suunas ja ühendage see hakklihamasina korpusest lahti. Eemaldage tõukur ja liha kauss. (Joonis 13).
4. Peske seadet ja kõiki tarvikuid (tõukur, lihakauss, spiraalkruvi, löiketerad, avadega plaadid, eraldajad ja kinnitused ning lukustusrõngas) pesuvahendiga kuumas vees.
5. Loputage puhta kuumas veega ja kuivatage koheselt.
6. Soovitame hakklihamasina sisemuse ja avadega plaadid üle pühkida toiduõliga niisutatud lapiga.



Eesti keel

**Märkus:** Ärge peske seadme mistahes osi või tarvikuid nõudepesumasinas.

Pärast kasutamist pühkige seadme korpust niiske lapiga ning seejärel kuivatage põhjalikult kuiva lapiga. Kaitske seadet vee ja kõrge niiskuse eest! Do not immerse in water!

- Ärge kasutage lahustit, bensiini või muid agressiivseid või abrasiivseid puhastusvahendeid.
- Kaitske otsese päikesevalguse ja niiske keskkonna eest.

## TEHNILISED ANDMED

Nimipinge: 220-240 V ~ 50-60 Hz

Nimivõimsus: 300 W

## KASUTAMINE JA KASUTUSEST KÕRVALDAMINE

Pakkepaber ja lainepapp – viige jäätmejaama. Pakkekiled, PE kotid, plastist osad – visake plasti utiliseerimiskonteineritesse.

## TOOTE KASUTUSEST KÕRVALDAMINE TÖÖEA LÕPUS

**Elektri- ja elektroonikaseadmete kasutusest kõrvaldamine (kehtib EL-i liikmesriikides ja teistes Euroopa riikides, kus rakendatakse ringlussevõtusüsteemi)**

Näidatud sümbol tootel või pakendil tähendab, et toodet ei tohiks käidelda nagu olmejäätmeid. Viige toode elektri- ja elektroonikaseadmetele ettenähtud ringlussevõtupunkti. Vältige võimalikke negatiivseid mõjusid inimese tervisele ja keskkonnale, tagades oma tootele nõuetekohase ringlussevõtu. Ringlussevõtt aitab säilitada loodusvarasid. Lisateavet selle toote ringlussevõtu kohta saate oma kohalikust omavalitsusest, olmejäätmete käitlemise ettevõttest või poest, kust te toote ostsite.



08/05

See toode vastab Euroopa Liidu elektromagnetilise ühilduvuse ja elektriohutuse direktiivi nõuetele.



Kasutusjuhend on kättesaadav Internetis [www.ecg-electro.eu](http://www.ecg-electro.eu) veebilehel.

Teksti ja tehniliste parameetrite muutmise õigused on kaitstud.

## SIGURNOSNE UPUTE

### Pročitajte pažljivo i sačuvajte za buduću uporabu!

**Pozor:** Mjere opreza i upute ne pokrivaju sve moguće uvjete i opasnosti do kojih može doći. Korisnik treba biti svjestan da faktore sigurnosti, kao što su oprezno, brižno i razumno rukovanje, nije moguće ugraditi u proizvod. Zbog toga sâm korisnik ovog uređaja treba osigurati prisutnost tih sigurnosnih faktora. Nismo odgovorni ni za koju štetu počinjenu prijevozom, nepravilnim korištenjem ili preinakom ili zamjenom bilo kojeg dijela uređaja.

Prije uporabe uređaja pažljivo pročitajte ovaj priručnik i pogledajte slike. Sačuvajte ga za buduću upotrebu. Pribor može sadržavati dodatne upute za uporabu.

Kako ne bi došlo do požara ili ozljede od udara električne struje, pri uporabi električnih uređaja uvijek se trebaju poštovati temeljne sigurnosne upute među kojima su i sljedeće:

1. Provjerite odgovara li napon struje na vašoj utičnici onomu koji je naveden na pločici vašeg uređaja, te je li utičnica pravilno uzemljena. Utičnica mora biti ugrađena prema zahtjevima nacionalnih elektrotehničkih normi.
2. Nikada ne upotrebljavajte uređaj ako je napojni kabel oštećen. **Bilo kakav popravak, što se odnosi i na zamjenu kabela, mora biti povjeren stručnom servisu! Ne skidajte sigurnosni poklopac uređaja kako ne bi došlo do opasnosti od električnog udara!**
3. Kabel se mora pružati tako da ne dolazi u dodir s vrućim predmetima i da ne prolazi duž oštih rubova.
4. Uređaj zaštitite od doticaja s vodom ili drugim tekućinama kako ne bi došlo do električnog udara.
5. Uređaj nemojte koristiti na otvorenom, kao ni u vlažnim prostorima; ne dotičite kabel za napajanje niti uređaj mokrim rukama. Postoji opasnost od električnog udara.
6. Ne uranjajte bazu motora i strujni kabel u vodu ili druge tekućine. Nemojte ispirati pod mlazom vode. Osigurajte da tekućine ne ulaze u tijelo uređaja s motorom.
7. Budite posebno pažljivi nalaze li se djeca u blizini dok koristite ovaj uređaj.
8. Uređaj tijekom rada ne smije biti ostavljen bez nadzora.

9. Preporučujemo da uređaj ne ostavljate s naponskim kabelom uključenim u struju.
10. Prije održavanja, montaže/demontaže, promjene pribora ili kada se uređaj više ne koristi, isključite uređaj i isključite ga iz utičnice. Ne izvlačite utikač iz utičnice povlačenjem za kabel. Kabel odspojite iz mreže tako što ćete primiti utikač i izvući ga.
11. Prije rastavljanja uvijek pričekajte da se svi dijelovi uređaja potpuno zaustave. Uređaju je potrebno približno 30 minuta da se ohladi za sigurno rukovanje i čišćenje.
12. Uređaj nemojte koristiti u blizini izvora topline, kao što su to pećnice. Držite ga podalje od izravne sunčeve svjetlosti.
13. Ne postavljajte uređaj na zid ili na druge uređaje. Ostavite najmanje 10 cm slobodnog prostora na stražnjoj i bočnoj strani i 10 cm slobodnog prostora iznad uređaja.
14. Uređaj uvijek koristite na ravnoj i čvrstoj površini. Ne stavljajte nikakve predmete na uređaj.
15. Prije prve uporabe preporučujemo pranje svih dijelova koji dolaze u dodir s hranom, vidi poglavlje „čišćenje i održavanje“.
16. Budite posebno oprezni pri rukovanju noževima, posebno kada ih skidate i čistite, oštrice su vrlo oštre i mogu uzrokovati ozljede.
17. Prije početka pažljivo zategnite sigurnosnu maticu. Nikada nemojte previše zatezati maticu!
18. Prilikom rada uređaj nikako nemojte pokrivati i nemojte ga koristiti u blizini zapaljivih predmeta kao što su zavjese i slično.
19. Nikada nemojte prstima, kuhinjskim priborom ili drugim predmetima gurati hranu u aparat! Koristite isključivo nabijač koji je isporučen s uređajem. Koristite razumnu silu. Prekomjerni pritisak može oštetiti uređaj.
20. Ne dotičite pokretne dijelove!
21. Duga kosa, široka odjeća ili pribor i nakit mogu biti zahvaćeni rotirajućim dijelovima uređaja. **Pazite da vaša kosa, odjeća i pribor ne budu u opasnoj blizini rotirajućih dijelova!**
22. Nemojte uključivati uređaj bez umetnutog mesa (rad na prazno)!
23. Meljite meso bez tetiva i kostiju, prethodno izrezano na komade veličine približno 20 mm × 20 mm × 60 mm.
24. Ako se mlin zaglavi, okrenite prekidač u položaj Natrag (REV). Time se oslobađa meso zaglavljeno u mašini i vraća uređaj u funkciju.

25. Uređaj očistite odmah nakon svake upotrebe. Prilikom čišćenja obrišite tijelo uređaja samo vlažnom krpom. Nemojte ga namakati u vodi.
26. Nemojte koristiti pribor kojeg nije preporučio proizvođač. U suprotnom ćete izgubiti prava na jamstvo.
27. Nikada ne ostavljajte uređaj da radi neprekidno duže od 5 minuta. Nakon 5 minuta rada, ostavite uređaj da se ohladi oko 10 minuta prije nego ga ponovno koristite. Nemojte dozvoliti da uređaj radi duže od ukupno 30 minuta.
28. Uređaj koristite samo onako kako je propisano ovom uputom.
29. Ovaj uređaj namijenjen je samo za kućnu uporabu. Nije namijenjen za komercijalnu upotrebu.
30. Ovaj uređaj je dizajniran za obradu mesa bez kostiju, tetiva i masti. Ne pokušavajte mljeti kosti, orahe ili druge tvrde predmete.
31. Proizvođač nije odgovoran za štete nastale nepravilnim korištenjem ovog uređaja.
32. Ovaj uređaj ne smiju koristiti djeca. Uređaj i njegov kabel za napajanje držite izvan dohvata djece! Osobe smanjenih fizičkih ili umnih sposobnosti, te osobe s nedostatkom iskustva, smiju koristiti ovaj uređaj samo ako su pod nadzorom ili ako ih je iskusnija osoba uputila u korištenje na siguran način i razumiju sve opasnosti povezane s tim korištenjem. Djeca se ne smiju igrati ovim uređajem.

**Rizik od materijalne štete:** Uređaj se smije koristiti samo ako je pravilno i potpuno montiran.

**Do not immerse in water! – Nemojte uranjati u vodu!**

**OPASNOSTI po djecu:** Djeca se ne smiju igrati s ambalažom. Nemojte dopustiti djeci da se igraju plastičnim vrećicama. Postoji opasnost od gušenja.



# UPUTE ZA UPORABU

## Prije prve uporabe

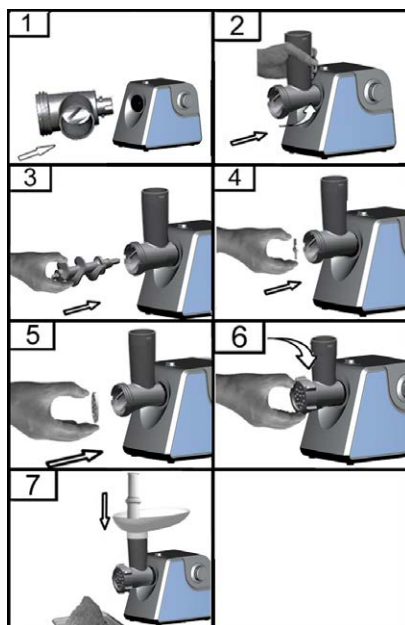
- Pažljivo raspakirajte uređaj i uklonite sav materijal za pakiranje i promotivne naljepnice.
- Očistite stroj i pribor, pogledajte dio „Čišćenje i održavanje“.
- Očistite tijelo mašine vlažnom krpom ili spužvom.

**Upozorenje:** Nikada nemojte opteretiti ili uranjati tijelo mašine ili kabel za napajanje u tekućine.

**Napomena:** Prilikom sastavljanja mašine ili zamjene dodatne opreme, prebacite uređaj i odspojite se s mreže.

## Sastav

- Pritisnite gumb osigurača i umetnite uređaj u priрубnicu (provjerite je li postavljen kao na slici 1). Rotirajte uređaj lijevo za zatezanje u tijelu mašine, prema sl. 2.
- Umetnite duži vijak puža u uređaj tako da odgovara nosaču u tijelu mašine (sl. 3).
- Namjestite okretni nož na čep puža (ravan, oštri rub) prema naprijed kao što je prikazano (sl. 4). Ako ga postavite pogrešno, meso se neće mljeti.
- Sada stavite sito odabrane grubosti u stroj. Uvjerite se da je sito ušlo u odgovarajući utor (sl. 5).
- Držite sito za središte i pričvrstite ga maticom za zaključavanje (sl. 6). Pritegnite maticu u smjeru kazaljke na satu, nemojte ga previše pritezati.
- Stavite posudu za meso na ulaz i pričvrstite ga.
- Na stranama mašine ostavite oko 10 cm slobodnog prostora za ulaz zraka.



## Priprema mesa

Odrežite meso na trake 10 cm duge i oko 2 cm debele. Uklonite kosti, hrskavice, čekinje i tetive. (Nikada ne meljite smrznuto meso!)

Pripremite meso na posudi mašine. Lagano gurnite meso u mašinu. (Za tatarski biftek meljite meso dva puta.)

## Priprema Kebbe

Kebbe je tradicionalno jelo srednjeg istoka pripremljeno prvenstveno od mljevene janjetine i bulgura, od kojih se formiraju punjene knedle. Valjak koji je stvorila mašina može se ispuniti mljevenim mesom, zatvoriti i spremi u fritezi.

1. Umetnite puž u stroj (sl. 8). Postavite Kebbe nastavak na nosač puža. Provjerite je li pravilno podešen i zategnut vijkom (sl. 9).

2. Stavite posudu za meso na ulaz.

3. Sada je uređaj spreman za mljevenje Kebbe (sl. 10).

Gurnite smjesu bulgura lagano nabijačem u mašinu. Šuplji valjak koji se stvara napunite smjesom mljevenog mesa i podijelite po potrebi.

## Priprema kobasice

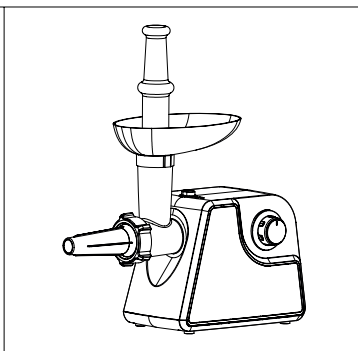
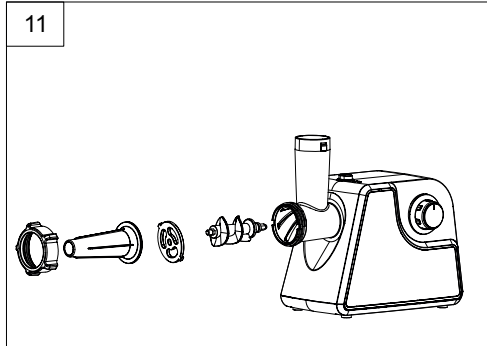
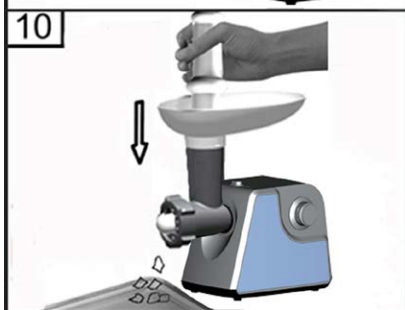
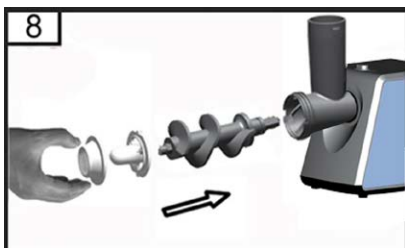
1. Nameljite meso i pripremite mješavinu za kobasice. Pričvrstite separator na vratilu puža. Provjerite je li pravilno podešen i umetnite nastavak za kobasice i zategnite ga vijkom (sl. 11).

2. Stavite posudu za meso na grlo ulaza.

3. Sada je uređaj spreman za mljevenje kobasica.

Pripremite smjesu na posudi mašine. Lagano gurnite smjesu u mašinu.

Namočite crijevo na 10 minuta u mlaku vodu. Zatim vlažno crijevo navucite na nastavak kako bi ispunili kobasicu. Zatvorite crijevo i nabijte u njega pripremljenu (začinjenu) smjesu uz pomoć mašine. Ako je crijevo pričvršćeno na nastavku, navlažite ga vodom.



## ODRŽAVANJE I ČIŠĆENJE

Očistite odmah nakon svake upotrebe. Prije rastavljanja uvijek pričekajte da se svi dijelovi uređaja potpuno zaustave. Uređaju je potrebno približno 30 minuta da se ohladi za sigurno rukovanje i čišćenje.

Meso koje je zaostalo u mljevenju očistite mljevenjem peciva ili kriški kruha. **Priilikom čišćenja budite pažljivi, nož je vrlo oštar.**

1. Prije detaljnijeg čišćenja, prvo uređaj isključite i odvojite ga od dovoda struje.
2. Odvijte maticu za zaključavanje i uklonite sve dijelove stroja (sl. 12).
3. Pritisnite gumb osigurača, okrenite uređaj u smjeru strelice i odvojite ga iz tijela mašine. Uklonite posudu i jelo od mesa. (sl. 13)
4. Operite stroj i sav pribor (nabijač, zdjelu za meso, puž, oštrice, sita, separatore i nastavke i brave matice) u toploj vodi s deterđentom.
5. Isperite ih čistom toplom vodom i odmah osušite.
6. Preporučujemo brisanje unutrašnjosti i sita jestivim uljem.

**Napomena:** Nemojte prati dijelove ili pribor ovog uređaja u perilici posuđa.

Tijelo uređaja očistite vlažnom, a zatim temeljito osušite suhom krpom. Zaštitite aparat od vode i visoke vlažnosti! Nemojte ga namakati u vodi.

- Nemojte koristiti razrjeđivač, benzen i druga agresivna ili abrazivna sredstva za čišćenje.
- Čuvajte od izravnog djelovanja sunčevih zraka i vlažne okoline.

## TEHNIČKI PODACI

Nazivni napon: 220–240 V ~ 50-60 Hz

Nazivna snaga: 300 W

## OPORABA I ZBRINJAVANJE OTPADA

Papirni otpad i kartonsku ambalažu predajte u reciklažna dvorišta. Foliju za pakiranje, vrećice od polietilena i plastične dijelove odložite u kontejnere za plastiku.

## ODLAGANJE PROIZVODA NAKON ISTEKA RADNOG VIJEKA

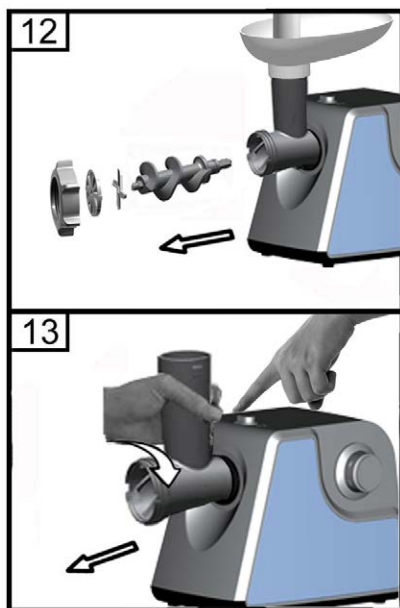
**Odlaganje otpada električne i elektroničke opreme (primjenjivo u državama članicama EU i drugim europskim zemljama koje su uspostavile sustave razvrstavanja otpada)**

Oznaka koja je navedena na proizvodu ili na ambalaži označava da se proizvod ne smije zbrinjavati kao kućni otpad. Proizvod odložite na mjesto određeno za recikliranje električne i elektroničke opreme. Ispravnim odlaganjem proizvoda sprječavate negativne utjecaje na zdravlje ljudi i okoliš. Reciklažom materijala pomažete očuvanje prirodnih resursa. Dodatne informacije o recikliranju ovog proizvoda pružit će vam lokalne vlasti, organizacija za prerađu kućnog otpada ili prodajno mjestu na kojem ste kupili proizvod.

Ovaj proizvod je usklađen s direktivama EU o elektromagnetskoj kompatibilnosti i električnoj sigurnosti.

Upute za uporabu dostupne su na web stranici [www.ecg-elektro.eu](http://www.ecg-elektro.eu).

Pravo na izmjenu teksta i tehničkih parametara je pridržano.



## DROŠĪBAS INSTRUKCIJAS

**Rūpīgi izlasiet un saglabāriet turpmākai uzziņai!**

**Uzmanību!** Šajā rokasgrāmatā aprakstītie drošības pasākumi un norādījumi neietver visas iespējamās situācijas un apstākļus. Lietotājam ir jāsaprot, ka veselais saprāts, piesardzība un rūpība ir faktori, ko nevienā ierīcē nav iespējams integrēt. Par tiem ir jāparūpējas ierīces lietotājiem. Mēs neesam atbildīgi par bojājumiem, kas radušies pārvadāšanas laikā, vai ko izraisījusi nepareiza lietošana vai jebkuras ierīces daļas modificēšana vai regulēšana.

Pirms ierīces lietošanas uzmanīgi izlasiet šo lietošanas instrukciju un apskatiet attēlus. Saglabāriet turpmākai atsaucei. Uz piederumiem var attiekties papildu norādījumi.

Lai novērstu aizdegšanās vai strāvas trieciena risku, lietojot elektroierīces, vienmēr ir jāievēro pamata piesardzības pasākumi, tostarp šādi:

1. Pārlicinieties, ka jūsu rozetes spriegums atbilst uz ierīces marķējuma norādītajam, un ka rozete ir atbilstoši iezemēta. Rozetei ir jābūt uzstādītai saskaņā ar attiecināmajiem EN elektrības kodeksiem.
2. Nekad neizmantojiet ierīci, ja barošanas vads ir bojāts. **Visi remontdarbi, tostarp vada nomaiņa, ir jāveic profesionālā apkopes centrā! Nenonemiet ierīces aizsargvākus – strāvas trieciena risks!**
3. Neļaujiet barošanas vadam pieskarties karstām virsmām, un neļaujiet tam iet pār asām malām.
4. Aizsargājiet ierīci pret tiešu saskari ar ūdeni un citiem šķidrumiem, lai nepieļautu strāvas triecienu.
5. Neizmantojiet ierīci ārpus telpām vai mitrā vidē, un nepieskarities ierīcei vai barošanas vadam ar slapjām rokām. Strāvas trieciena risks.
6. Neiegremdējiet motora pamatni un barošanas vadu ūdenī vai citos šķidrumos. Neskalojiet zem tekoša ūdens. Neļaujiet šķidrumam iekļūt motora blokā.
7. Izmantojot ierīci bērnu tuvumā, nepieciešama rūpīga uzraudzība.
8. Neatstājiet ierīci bez uzraudzības, kamēr tas darbojas.
9. Mēs iesakām neatstāt barošanai pievienoto ierīci bez uzraudzības.

10. Pirms apkopes veikšanas, salikšanas/izjaukšanas, piederumu maiņas vai kad ierīce netiek izmantota, izslēdziet to un atvienojiet no sienas rozetes. Neatvienojiet barošanas vadu no rozetes, raujot to. Atvienojiet vadu, satverot kontaktdakšu.
11. Pirms izjaukšanas vienmēr sagaidiet, lai visas detaļas apstājas. Ierīcei nepieciešamas aptuveni 30 minūtes, lai atdzistu, drošai aiztikšanai un tīrīšanai.
12. Nelietojiet siltuma avota, piem., krāsns, tuvumā. Sargājiet no tiešiem saules stariem.
13. Nenovietojiet ierīci uz sienas vai uz kādas citas ierīces. Atstājiet vismaz 10 cm brīvas vietas ierīces aizmugurē un sānos un 10 cm brīvas vietas virs ierīces.
14. Vienmēr izmantojiet ierīci uz līdzenas un stabilas virsmas. Nenovietojiet uz ierīces nekādus priekšmetus.
15. Pirms pirmās lietošanas reizes mēs iesakām nomazgāt visas detaļas, kas nonāk saskarē ar ēdienu, skatiet sadaļu "Tīrīšana un apkope".
16. Esiet īpaši uzmanīgs(-a), apejoties ar griešanas asmeņiem, īpaši, tos noņemot un mazgājot, asmeņi ir ļoti asi un var radīt traumas.
17. Uzmanīgi pievelciet mašīnas nostiprināšanas uzgriezni pirms sākšanas. Nepārgrieziet uzgriezni!
18. Nekad neapsedziet ierīci lietošanas laikā, un nelietojiet to viegli uzliesmojošu materiālu tuvumā, piem., pie aizkariem u.tml.
19. Nekādā gadījumā neizmantojiet savus pirkstus, virtuves piederumus vai citus priekšmetus, lai iestumtu ēdienu ierīcē! Izmantojiet vienīgi ierīces komplektā iekļauto spiediņus. Pielietojiet samērīgu spēku. Pārmērīgs spiediens var sabojāt ierīci.
20. Nepieskarieties kustīgajām daļām.
21. Gari mati, brīvs apģērbs vai aksesuāri un rotaslietas var ieķerties ierīces rotējošajās detaļās. **Pārliedzieties, ka jūsu mati, apģērbs un aksesuāri nenonāk bīstami tuvu rotējošajām detaļām!**
22. Neieslēdziet ierīci bez ievietotas gaļas (tukšu)!
23. Maliet gaļu bez cīpslām un kauliem, kas ir sagriezta gabalos – apmēram 20 mm x 20 mm x 60 mm.
24. Ja gaļas maļamā mašīna noķilējas, pārslēdziet reversa (REV) pozīcijā. Tas atbrīvos gaļas sastrēgumu gaļas maļamajā mašīnā un mašīna atgriezīsies pie normālas darbības.

25. Nekavējoties izmazgājiet mašīnu pēc katras lietošanas reizes. Noslaukiet ierīces ārpusi tikai ar mitru drānu. Neiegremdējiet ūdenī.
26. Izmantojiet tikai ražotāja ieteiktus piederumus; pretējā gadījumā var tikt anulēta garantija.
27. Nekad nelieciet ierīci nepārtraukti darboties ilgāk par 5 minūtēm. Pēc 5 darbināšanas minūtēm ļaujiet ierīcei 10 minūtes atdzist, līdz atkal to darbināt. Nekad nelieciet ierīci nepārtraukti darboties ilgāk par 30 minūtēm.
28. Izmantojiet ierīci tikai saskaņā ar šajā rokasgrāmatā sniegtajām instrukcijām.
29. Ierīce ir paredzēta tikai mājas lietošanai. Tā nav paredzēta komerciālai lietošanai.
30. Šī ierīce ir paredzēta gaļas pārstrādei bez kauliem, cīpslām un taukiem. Nemēģiniet malt kaulus, riekstus un citas cietas lietas.
31. Ražotājs nav atbildīgs par bojājumiem, kas radušies, ierīci lietojot neatbilstoši.
32. Ierīci nedrīkst lietot bērni. Glabājiet ierīci un tās barošanas vadu bērniem nepieejamā vietā. Ierīci drīkst lietot cilvēki ar mazinātām fiziskajām, maņu vai garīgajām spējām vai bez pieredzes un zināšanām, ja tie tiek uzraudzīti vai ir saņēmuši instrukcijas par ierīces lietošanu un saprot iespējamās briesmas. Bērni nedrīkst ar ierīci spēlēties.

**Ierīces bojājuma risks:** ierīci drīkst izmantot tikai tad, ja tā ir pareizi un pilnīgi salikta.

**Do not immerse in water! – Neiegremdējiet ūdenī!**

**BRIESMAS bērniem:** bērni nedrīkst spēlēties ar iepakojuma materiālu. Neļaujiet bērniem spēlēties ar plastmasas maisiem. Nosmakšanas risks.

# LIETOŠANAS INSTRUKCIJAS

## Pirms pirmās lietošanas reizes

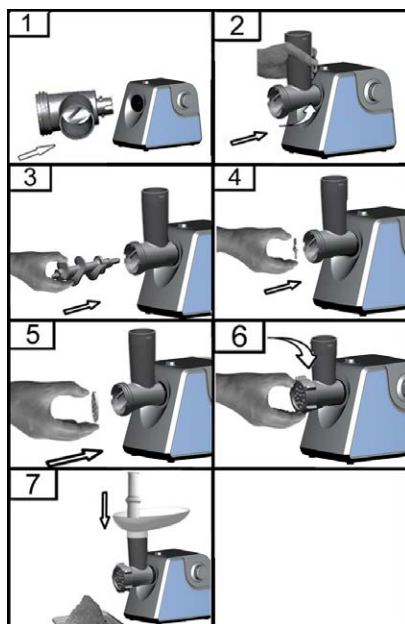
- Uzmanīgi izpakoļiet ierīci un noņemiet visu iepakojuma materiālu un reklāmas uzlīmes.
- Nomazgājiet mašīnu un piederumus, skatiet sadaļu "Tīrīšana un apkope".
- Notīriet gaļas maļamās mašīnas korpusu ar samitrinātu drānu vai sūkli.

**Brīdinājums!** Nekad nesamērcējiet un neiegremdējiet gaļas maļamās mašīnas korpusu un barošanas vadu šķidrumā.

**Piezīme:** saliekot gaļas maļamo mašīnu vai nomainot piederumus, izslēdziet ierīci un atvienojiet no sienas rozetes.

## Montāža

- Nospiediet drošības pogu un ievietojiet piltuvi ierīces uzmalā (pārļiecinieties, ka tā ir slīpi, skatīt 1. att.). Nofiksējiet piltuvi ierīcē, pagriežot pa kreisi, skatīt 2. att.
- Ievietojiet gliemežvārpstu mašīnā ar garāko asi pa priekšu. (3. att.).
- Uzlieciet rotējošo asmeni uz vārpstas gala (plakana, asa mala) (4. att.). Ja tas būs ievietots nepareizi, tas nemals gaļu.
- Tagad ievietojiet vēlamā maluma režģi. Pārļiecinieties, ka tas ieguļas ierīces rievās (5. att.).
- Turiet režģi vidusdaļā un nostipriniet to mašīnā ar nostiprināšanas uzgriezni (6. att.). Pievelciet gredzenu pulksteņrādītāja kustības virzienā, nepārvelciet to.
- Uzlieciet gaļas trauku uz mašīnas piltuves un nostipriniet.
- Novietojiet gaļas maļamo mašīnu uz līdzenas, piemērotas virsmas.
- Atstājiet apmēram 10 cm brīvas vietas gaļas maļamās mašīnas sānos gaisa kustībai.



## Gaļas sagatavošana

Sagrieziet gaļu 10 cm garās un apmēram 2 cm biežās strēmelēs. Iznemiet kaulus, skrimšļus un cīpslas. (Nemaliet saldētu gaļu!) Ievietojiet gaļu mašīnas gaļas traukā. Izmantojot spiedi, viegli iespiediet gaļu gaļas maļamās mašīnas piltuvē. (Maliet gaļu divreiz gaļas tartaram.)

## Gaļas bumbiņu sagatavošana

Gaļas bumbiņas ir tradicionāls Tuvo Austrumu ēdiens, kas galvenokārt tiek gatavots no jēra un bulgura, ko kā tiek veidotas pildītas gaļas bumbiņas. Gaļas maļamās mašīnas izveidoto rulli var piepildīt ar maltu gaļu, aizvērt un izcept.

1. Ievietojiet gliemežvārpstu mašīnā (8. att.). Uzlieciet gaļas bumbiņu piederumu uz gliemežvārpstas. Pārlicinieties, ka tas ieguļas gaļas mašīnas izvirkījumos un pievelciet ar nostiprināšanas uzgriezni (9. att.).

2. Uzlieciet gaļas trauku uz gaļas maļamās mašīnas piltuves.

3. Ierīce ir gatava gaļas bumbiņu pagatavošanai (10. att.).

Viegli iebīdīet bulgura maisījumu mašīnas piltuvē ar spiedi. Izveidoto tukšo maisījuma rulli piepildiet ar malto gaļu un sadaliet pēc nepieciešamības.

## Desu pagatavošana

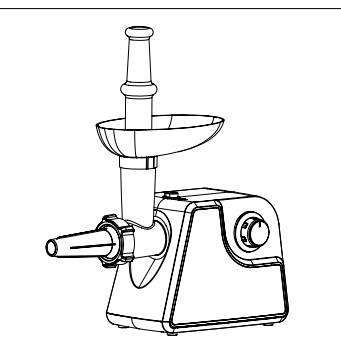
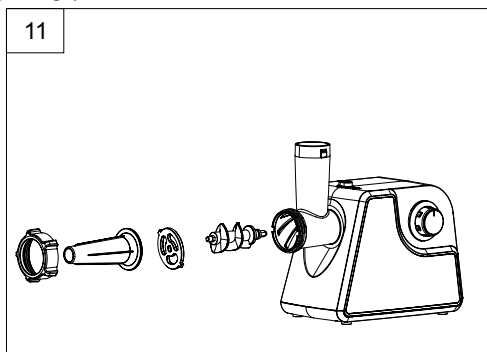
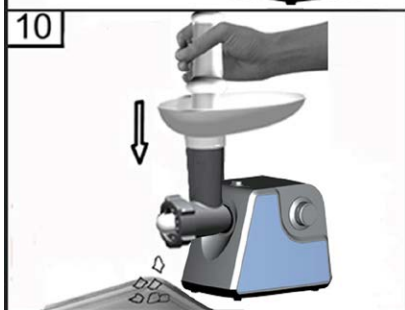
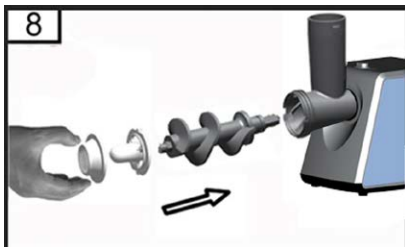
1. Samaliet gaļu un pagatavojiet maisījumu desām. Uzlieciet starplika uz gliemežvārpstas. Pārlicinieties, ka tas ieguļas gaļas mašīnas izvirkījumos, tad uzlieciet desu uzgali un pievelciet ar nostiprināšanas uzgriezni (11. att.).

2. Uzlieciet gaļas trauku uz gaļas maļamās mašīnas piltuves.

3. Ierīce ir gatava desu pagatavošanai.

Sagatavojiet maisījumu uz gaļas maļamās mašīnas gaļas trauka. Viegli iebīdīet maisījumu gaļas maļamās mašīnas piltuvē ar spiedi.

Iemērciet desas apvalku remdenā ūdenī uz 10 minūtēm. Tad uzlieciet mitro apvalku uz desu pildīšanas uzgaļa. Noslēdziet apvalku un iespiediet sagatavoto (ar garšvielām) maisījumu tajā ar gaļas maļamās mašīnas palīdzību. Ja apvalks pielip pie uzgaļa, samitriniet to ar ūdeni.





## APKOPE UN TĪRĪŠANA

nekavējoties izmargājiet pēc katras lietošanas reizes. Pirms izjaukšanas vienmēr sagaidiet, lai visas detaļas apstājas. Ierīcei nepieciešamas aptuveni 30 minūtes, lai atdzistu, drošai aiztikšanai un tīrīšanai.

Gaļas maļamajā mašīnā iesprūdušo gaļu var iztīrīt, samalot maizes šķēli. **Uzmanieties tīrīšanas laikā, asmeņi ir ļoti asi.**

1. Pirms tālākas ierīces tīrīšanas izslēdziet to un atvienojiet no sienas rozetes.
2. Atskrūvējiet nostiprināšanas uzgriezni un noņemiet visas mašīnas detaļas (12. att.).
3. Nospiediet nobloķēšanas pogu, pagrieziet piltuvi bultiņas virzienā un atvienojiet no motora korpusa. Izņemiet spiedi un gaļas trauku. (13. att.).
4. Mazgājiet ierīci un visus piederumus (spiedi, gaļas trauku, gliemežvārpstu, asmeņus, režģus, starplikas un piederumus, kā arī nostiprināšanas uzgriezni) karstā ūdenī ar trauku mazgājamo līdzekli.
5. Noskalojiet ar tīru, karstu ūdeni un uzreiz nosusiniet.
6. Mēs iesakām pārklāt gaļas maļamās mašīnas iekšpusi un režģus ar pārtikas eļļu.

**Piezīme:** nevienu no ierīces sastāvdaļām un piederumiem nemazgājiet trauku mazgājamā mašīnā.

Pēc lietošanas noslaukiet ierīces korpusu ar mitru drānu, un tad nosusiniet ar sausu drānu. Sargājiet ierīci no ūdens un augsta mitruma! Neiegremdējiet ūdenī.

- Neizmantojiet šķīdinātāju, benzīnu vai citus agresīvus un abrazīvus tīrīšanas līdzekļus.
- Sargājiet no tiešiem saules stariem un slapjas vides.

## TEHNISKĀ INFORMĀCIJA

Nominālais spriegums: 220–240 V ~ 50-60 Hz

Nominālā ieejas jauda: 300 W

## ATBRĪVOŠANĀS NO ATKRITUMIEM

letinamais papīrs un kartons – nogādāt pārstrādes punktā. Iepakojuma folija, PE maisi, plastmasas daļas – iemest plastmasas šķirošanas konteineros.

## ATBRĪVOŠANĀS NO IERĪCĒM KALPOŠANAS LAIKA BEIGĀS

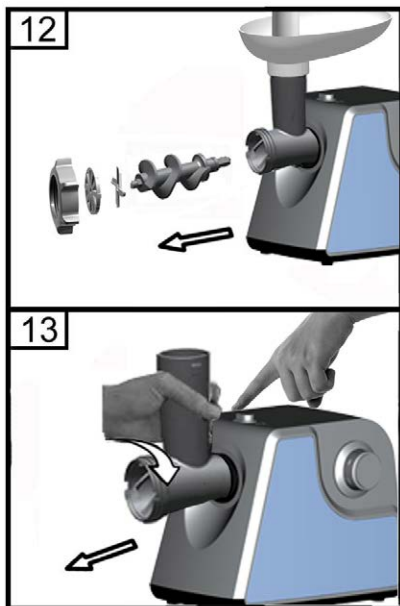
**Atbrīvošanās no elektriska un elektroniska aprīkojuma (attiecas uz ES dalībvalstīm un citām Eiropas valstīm, kur ieviesta pārstrādes sistēma)**

Norādītais simbols uz ierīces vai iepakojuma nozīmē, ka ierīci nedrīkst pievienot sadzīves atkritumiem. Nododiet ierīci norādītajā elektriska un elektroniska aprīkojuma pārstrādes punktā. Novērsiet negatīvu ietekmi uz veselību un vidi, parūpējoties par ierīces pareizu pārstrādi. Pārstrāde palīdz taupīt dabas resursus. Lai saņemtu plašāku informāciju par šīs ierīces pārstrādi, sazinieties ar vietējo atbildīgo iestādi, sadzīves atkritumu apstrādes organizāciju vai veikalu, kur ierīci iegādājāties.

Šī ierīce atbilst ES direktīvu prasībām par elektromagnētisko saderību un elektrisko drošību.

Lietošanas pamācība ir pieejama vietnē [www.ecg-electro.eu](http://www.ecg-electro.eu).

Tiek paturētas tiesības veikt teksta un tehnisko parametru izmaiņas.



08/05



## SAUGOS INSTRUKCIJOS

### Atidžiai perskaitykite ir išsaugokite pasinaudojimui ateityje!

**Dėmesio:** šiame vadove nurodytos saugos priemonės ir instrukcijos neapima visų galimų sąlygų ir situacijų. Naudotojui būtina suprasti, kad bendrasis principas, atsargumas ir priežiūra yra veiksniai, kurių negalima integruoti į joki produktą. Todėl, naudodamasis ar dirbdamas šiuo prietaisu, naudotojas turi užtikrinti, kad šių veiksmų yra paisoma. Mes nesame atsakingi dėl žalos, kurį įvyko gaminio atvežimo metu, dėl netinkamo jo naudojimo arba kurios nors prietaiso dalies pakeitimo ar modifikavimo.

Prieš naudodamiesi prietaisu atidžiai perskaitykite šį vadovą ir peržiūrėkite paveikslėlius. Turėkite, jei prireiktų ateityje. Priedai gali turėti papildomų naudojimo instrukcijų.

Norėdami išvengti gaisro arba elektros smūgio, visuomet naudodamiesi elektros prietaisais, vadovaukitės pagrindinėmis atsargumo priemonėmis, įskaitant:

1. Įsitikinkite, kad elektros lizdo įtampa atitinka ant prietaiso etiketės nurodytą įtampos vertę, ir kad lizdas tinkamai įžemintas. Elektros lizdą būtina įrengti vadovaujantis galiojančiais elektros darbų kodeksais pagal EN.
2. Niekada nenaudokite prietaiso jei pažeistas jo maitinimo laidas.  
**Bet koks remontas, įskaitant laido pakeitimą, privalo būti atliekamas profesionalios techninės priežiūros centre!  
Nenuimkite prietaiso apsauginių dangtelių dėl elektros smūgio pavojaus!**
3. Neleiskite maitinimo laidui prisiliesti prie karštų paviršių arba persilenkti už aštrių kampų.
4. Saugokite prietaisą nuo tiesioginio kontakto su vandeniu ar kitais skysčiais, kad išvengtumėte potencialaus elektros smūgio.
5. Nenaudokite prietaiso lauke ir drėgnoje aplinkoje bei nelieskite maitinimo laido ar prietaiso šlapiomis rankomis. Elektros smūgio rizika.
6. Nemerkite variklio pagrindo ir maitinimo laido į vandenį ar kitus skysčius. Nescalaukite po vandeniu iš čiaupo. Saugokite, kad skysčiai nepatektų į variklio įtaisą.
7. Naudodami prietaisą ten, kur yra vaikų, būkite ypač dėmesingi.

8. Veikimo metu prietaisas neturėtų būti paliktas be priežiūros.
9. Rekomenduojame nepalikti prietaiso be priežiūros, kai jis prijungtas prie elektros lizdo.
10. Prieš atlikdami techninę priežiūrą, išardydami / surinkdami, keisdami priedus arba kai prietaisas ilgiau nenaudojamas, išjunkite jį ir atjunkite nuo elektros lizdo. Netraukite laido iš elektros lizdo trūktelėjimo veiksmu. Atjunkite maitinimo laidą nuo elektros lizdo, suėmę už kištuko.
11. Prieš išardydami visada palaukite, kol visiškai sustos visų dalių judėjimas. Prietaisui ataušti reikia maždaug 30 minučių, kad būtų galima jį saugiai nešioti ir valyti.
12. Nenaudokite prietaiso šalimais šilumos šaltinio, pavyzdžiui, orkaitės. Saugokite nuo tiesioginių saulės spindulių.
13. Nekabinkite prietaiso ant sienos arba nedėkite ant kitų prietaisų viršaus. Iš prietaiso galinės pusės, iš šonų ir iš viršaus palikite bent 10 cm laisvą tarpą.
14. Visada naudokite prietaisą ant lygaus ir tvirto paviršiaus. Nedėkite jokių objektų ant prietaiso viršaus.
15. Prieš naudojantis pirmąjį kartą rekomenduojame išplauti visas dalis, kurios liečiasi su maistu, žr. skirsnį „Valymas ir techninė priežiūra“.
16. Būkite ypač atidūs tvarkydami pjovimo ašmenis, ypač juos nuimdami ir valydami, nes ašmenys yra labai aštrūs ir gali sužaloti.
17. Prieš paleisdami kruopščiai priveržkite mechanizmo fiksuojamąjį žiedą. Niekada nepervežkite veržlės!
18. Niekada neapklokite prietaiso veikimo metu ir nenaudokite jo šalia degių medžiagų, pavyzdžiui, užuolaidų ir pan.
19. Kad sukištumėte maistą į prietaisą, niekada nenaudokite pirštų, virtuvės reikmenų ar kitų objektų! Naudokite tik su šiuo prietaisu pateiktą grūstuvą. Jėgą naudokite racionaliai. Per stipriai spaudžiant galite sugadinti prietaisą.
20. Nelieskite judančių dalių.
21. Besisukančios prietaiso dalys gali įtraukti ilgus plaukus, laisvus drabužius arba aksesuarus bei papuošalus. **Įsitikinkite, kad jūsų plaukai, drabužiai ir aksesuarai nėra pavojingai priartėję prie besisukančių dalių!**
22. Nejunkite prietaiso, jei viduje nėra maisto (tuščio)!

23. Malkite skerdiena, iš kurios pašalintos sausgyslės ir kaulai, iš anksto supjaustydami kubeliais, kurių matmenys maždaug 20 mm × 20 mm × 60 mm.
24. Jei mėsmalė užstrigo, pasukite jungiklį į atgalinės eigos (REV) padėtį. Taip atsilaisvins mėsmalėje įstrigęs mėsos kąsnis, o mašina grįš į pirminę padėtį.
25. Išvalykite prietaisą kiekvieną kartą po naudojimo. Prietaiso išorę valykite tik drėgna skepeta. Nemerkite į vandenį.
26. Naudokite tik gamintojo rekomenduojamus priedus, nes kitaip rizikuojate negauti garantinės priežiūros.
27. Niekada nepalikite prietaiso nepertraukiamai veikti ilgiau kaip 5 minutes. Po 5 veikimo minučių, ataušinkite prietaisą 10 minučių prieš vėl jį panaudodami. Niekada nepalikite prietaiso nepertraukiamai veikti iš viso ilgiau kaip 30 minučių.
28. Naudokite šį prietaisą tik pagal šiame vadove aprašytas instrukcijas.
29. Šis prietaisas skirtas tik naudojimui namuose. Jo paskirtis ne komercinė.
30. Šis prietaisas skirtas mėsos apdorojimui be kaulų, sausgyslių ir riebalų. Nebandykite malti kaulų, riešutų ar kitokių kietų objektų.
31. Gamintojas neatsako už bet kokią žalą, atsiradusią dėl netinkamo šio prietaiso naudojimo.
32. Vaikai neturėtų naudotis šiuos prietaisu. Laikykite prietaisą ir jo maitinimo bloką vaikams nematomoje ir nepasiekiamoje vietoje. Prietaisu gali naudotis asmenys su fizine, jutimine arba psichine negalia, arba neturintys patirties ar žinių, jei juos prižiūri kitas žmogus arba jei jie buvo išmokyti, kaip saugiai naudotis prietaisu ir supranta potencialius pavojus. Vaikams nereikėtų leisti žaisti su šiuo prietaisu.

**Turto apgadinimo rizika:** Prietaisą galima naudoti tik jei pastarasis tinkamai ir visiškai surinktas.

**Do not immerse in water! – Nemerkite į vandenį!**

**PAVOJINGA vaikams:** Vaikams draudžiama leisti žaisti pakavimo medžiaga. Neleiskite vaikams žaisti plastikiniais maišeliais. Uždusimo pavojus.

# NAUDOJIMO INSTRUKCIJOS

## Prieš naudojimą pirmąjį kartą

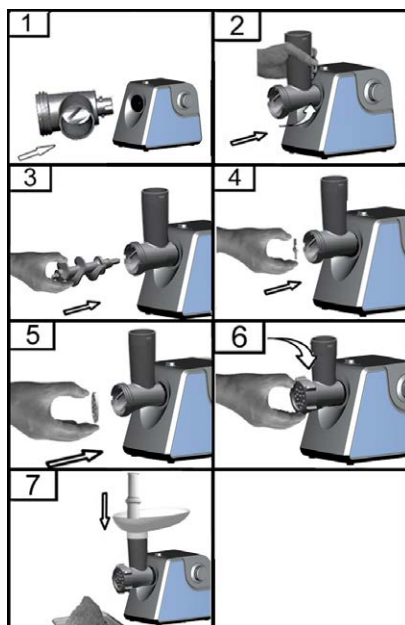
- Atsargiai išpakuokite prietaisą ir nuimkite visas pakavimo medžiagas bei nuplėškite reklaminius lipdukus.
- Išvalykite mechanizmą ir priedus, žr. skirsnį „Valymas ir techninė priežiūra“.
- Nuvalykite mėsmalės paviršių naudodami drėgną škepetą arba kempinę.

**Perspėjimas:** Niekada nemirkykite arba nemerkite mėsmalės korpuso ir maitinimo laido į skysčius.

**Pastaba:** Rinkdami mėsmalę ir keisdami priedus, išjunkite prietaisą ir atjunkite jį nuo maitinimo šaltinio.

## Įrenginys

- Spauskite saugos mygtuką ir įstatykite mechanizmą į flanšą (įsitinkinkite, kad jis pasuktas kampu, žr. 1 pav.). Priveržkite mėsmalės mechanizmo korpusą, pasukdami į kairę, žr. 2 pav.
- Įstatykite sraigtinį konvejerį į mechanizmą ilgesne ašimi taip, kad ši įtūptų į mėsmalės korpusą (3 pav.).
- Užmaukite sukamuosius ašmenis ant sraigto su ašmenimis (plokščias, aštrus kampas) galiuko, kaip parodyta (4 pav.). Neteisingai užmovus, mėsos sumalti nepavyks.
- Dabar į mechanizmą įstatykite sietelį su pasirinkto dydžio angomis. Įsitinkinkite, kad sietelis užsifiksavo mechanizmo fiksiatoriais (5 pav.).
- Laikykite sietelį ties centru ir fiksuojamuoju žiedu įtvirtinkite jį mechanizme (6 pav.). Laikrodžio rodyklės kryptimi priveržkite žiedą, neperveržkite.
- Ant mėsmalės piltuvo pastatykite mėsos indą ir priveržkite jį.
- Statykite mėsmalę ant lygaus paviršiaus.
- Iš abiejų mėsmalės pusių palikite 10 cm laisvą tarpą oro cirkuliacijai.



## Mėsos paruošimas

Supjaustykite mėsą 10 cm ilgio ir apie 2 cm storio juostelėmis. Išimkite kaulus, kremzles, šerius ir sausgysles. (Niekada nemalkite užšaldytos mėsos!)

Sudėkite mėsą į mėsmalės indą. Grūstuvu švelniai įstumkite mėsą į mėsmalės piltuvą. (Totoriškam kepsniui mėsą malkite dukart.)

## „Kibbeh“ paruošimas

„Kibbeh“ yra tradicinis vidurio rytų patiekalas, ruošiamas iš maltos avienos ir bulguro, iš kurio paruošiami įdaryti kukuliai. Mėsmaლე suformuotą ritinėį galite įdaryti malta mėsa ir iškepti.

1. Į mėsmalę įstatykite srieginį konvejerį (8 pav.). Užsukite „kibbeh“ priedą ant srieginės ašies. Įsitikinkite, kad jis užsifiksavo mėsmalės išsikišimuose ir priveržkite fiksuojamu žiedu (9 pav.).

2. Ant mėsmalės piltuvo pastatykite mėsos indą.

3. Dabar prietaisas paruoštas „kibbeh“ patiekalui (10 pav.)

Švelniai grūstuvu sugrūskite bulguro mišinį į mėsmalės piltuvą. Suformuota tuščiavidurį ritinėį įdarykite malta mėsa ir jei reikia padalinkite.

## Dešrelių ruošimas

1. Sumalkite mėsą ir paruoškite mišinį dešrelėms. Ant sraigtinės ašies uždėkite atskyrklį. Įsitikinkite, kad jis užsifiksavo mėsmalės išsikišimuose, tada įstatykite dešrelių priedą ir priveržkite fiksuojamu žiedu (11 pav.).

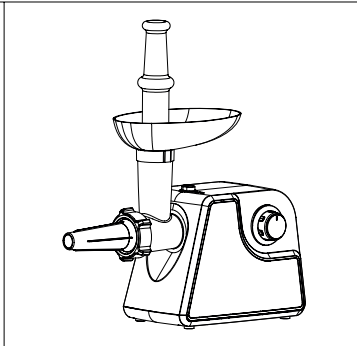
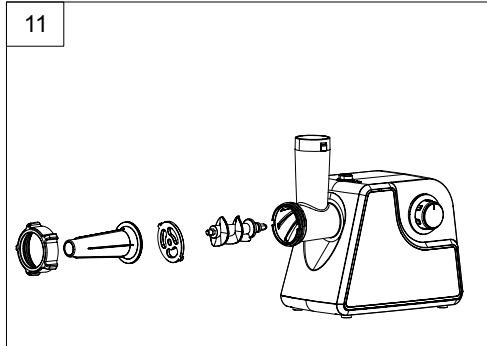
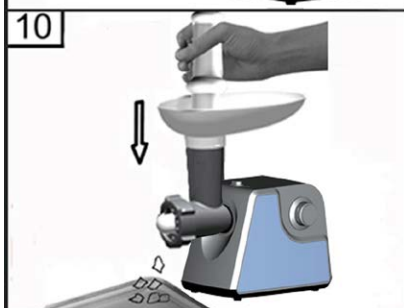
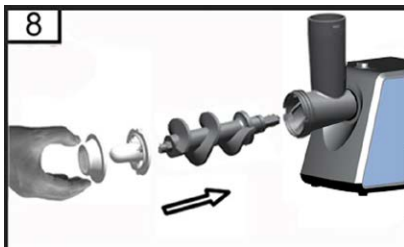
2. Ant mėsmalės piltuvo uždėkite mėsos indą.

3. Dabar prietaisas paruoštas dešrelių ruošimui.

Mėsmalės inde paruoškite mišinį. Grūstuvu švelniai sugrūskite mišinį į mėsmalės piltuvą.

Pamirkykite dešreles drungname vandenyje 10 minučių. Tada ant dešrelių pripildymo priedo uždėkite drėgną apgaubą.

Uždarykite apgaubą ir spauskite paruoštą (su prieskoniais) mišinį į mėsmalę. Jei apgaubas įstrigo priede, sudrėkinkite jį vandeniu.



## TECHNINĖ PRIEŽIŪRA IR VALYMAS

išvalykite prietaisą kiekvieną kartą po naudojimo.  
Prieš išardydami visada palaukite, kol visiškai sustos visų dalių judėjimas. Prietaisui ataušti reikia maždaug 30 minučių, kad būtų galima jį saugiai nešioti ir valyti.

Prie mėsmalės prilipusių mėsą surinkti galite sumaldami pietų bandelę arba duonos riekę. **Valydami būkite ypač atsargūs - ašmenys yra labai aštrūs.**

1. Prieš toliau valydami gaminį išjunkite jį ir atjunkite nuo elektros lizdo.
2. Išsukite fiksuojamąjį žiedą ir nuimkite nuo mėsmalės visas dalis (12 pav.).
3. Spauskite užrakto mygtuką, pasukite mechanizmą rodyklės kryptimi ir atjunkite jį nuo mėsmalės korpuso. Išimkite grūstuvą ir mėsos indą. (13 pav.)
4. Išplaukite prietaisą ir visus priedus (grūstuvą, mėsos indą, srieginį konvejerį, ašmenis, sietelius, atskyrklius ir priedus bei fiksuojamąjį žiedą) karštame vandenyne su plovikliu.
5. Išskalaukite švari karštu vandeniu ir nedelsiant išdžiovinkite.
6. Rekomenduojame maistiniu aliejumi ištepti mėsmalės vidų ir sietelius.

**Pastaba:** Jokios prietaiso dalies arba priedo neplaukite indaplovėje.

Po naudojimo nušluostykite prietaiso korpusą drėgna šluoste ir tada nusausinkite sausa. Saugokite prietaisą nuo vandens ir didelio drėgnio! Nemerkite į vandenį.

- Nenaudokite skiediklio, benzino ar kitų agresyviai veikiančių tirpiklių.
- Saugokite nuo tiesioginių saulės spindulių ir drėgnos aplinkos.

## TECHNINĖS SPECIFIKACIJOS

Vardinė įtampa: 220–240 V~ 50–60 Hz

Vardinė įvesties galia: 300 W

## NAUDOJIMAS IR ATLIEKŲ UTILIZAVIMAS

Vyniojamasis popierius ir gofruoto kartono dėžė – išmesti į atliekas. Pakavimo folija, PE maišeliai, plastikiniai elementai – išmesti į plastiko perdirbimo konteinerius.

## GAMINIŲ UTILIZAVIMAS PASIBAIGUS JŲ EKSPLOATACIJOS LAIKUI

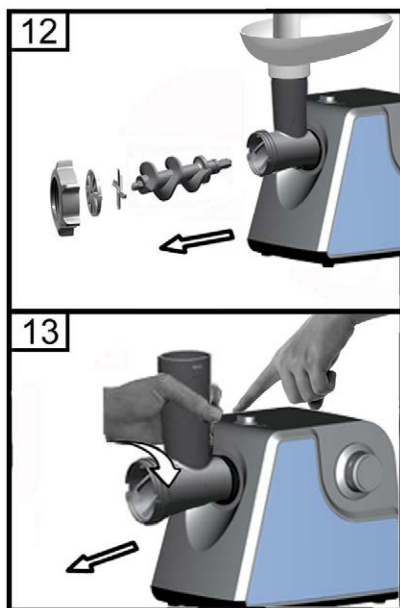
**Elektros ir elektronikos dalių utilizavimas (taikoma ES valstybėse narėse ir kitose Europos šalyse, kur galioja atliekų perdirbimo sistema)**

Ant gaminio ar jo pakuotės atvaizduotas simbolis reiškia, kad gaminio negalima utilizuoti kartu su buitinėmis atliekomis. Nugabenkite gaminį į atitinkamą elektros ar elektronikos gaminių perdirbimo vietą. Utilizuodami gaminį imkitės saugos priemonių dėl neigiamo poveikio žmogaus sveikatai ir aplinkai. Perdirbimas prisideda prie gamtinių išteklių išsaugojimo. Daugiau informacijos apie šio gaminio perdirbimą, teiraukitės vietinės valdžios institucijose, buitinių atliekų perdirbimo organizacijose arba parduotuvėje, kur įsigijote šį gaminį.

Šis produktas atitinka ES direktyvas dėl elektromagnetinio suderinamumo ir elektros saugos.

Techninės informacijos vadovą rasite internete [www.ecg-electro.eu](http://www.ecg-electro.eu).

Tekstas ir techniniai parametrai keičiami be išankstinio perspėjimo.



## BIZTONSÁGI ELŐÍRÁSOK

**Olvassa el figyelmesen és a későbbi felhasználásokhoz is őrizze meg!**

**Figyelmeztetés!** A jelen útmutatóban feltüntetett biztonsági előírások és utasítások nem tartalmazzak minden olyan feltételt és körülményt, amely a használat során bekövetkezhet. A felhasználónak meg kell értenie, hogy egyetlen termékbe sem lehet beépíteni a felhasználótól elvárható elővigyázatosságot és gondosságot. Ezekről a készüléket használó és kezelő felhasználóknak kell gondoskodniuk. Nem vállalunk felelősséget a készülék helytelen használatából, a készülék bármilyen jellegű átalakításából és módosításából eredő károkért.

A használatba vétel előtt figyelmesen olvassa el a teljes használati útmutatót és tanulmányozza át a képeket. Az útmutatók őrizze meg későbbi felhasználásokhoz is. A tartozékokhoz további használati útmutatók is tartozhatnak.

A tüzek, áramütések és egyéb sérülések megelőzése érdekében, az elektromos készülékek használata során tartsa be az általános és az alábbiakban feltüntetett biztonsági utasításokat:

1. Mielőtt csatlakoztatná a készüléket a szabályszerűen leföldelt hálózati konnektorhoz, győződjön meg arról, hogy a hálózati feszültség értéke megegyezik-e a készülék típuscímkéjén található tápfeszültség értékével. A fali aljzat feleljen meg a vonatkozó EN szabványok előírásainak.
2. Amennyiben a készülék hálózati vezetéke megsérült, akkor a készüléket bekapcsolni tilos. **A termék minden javítását, beleértve a hálózati vezeték cseréjét is, bízza szakszervizre! A készülék védőburkolatát ne szerelje le, a feszültség alatt lévő alkatrészek áramütést okozhatnak!**
3. A hálózati vezeték nem érhet hozzá forró tárgyakhoz, továbbá azt éles eszközökre se helyezze rá.
4. A készüléket óvja víztől és más folyadékoktól, ellenkező esetben áramütés érheti.
5. A készüléket szabadban vagy nedves környezetben használni tilos! A hálózati vezetéket és a készüléket nedves kézzel ne fogja meg. Áramütés veszélye!



6. A készüléket (motoros egységet), a hálózati vezetékét és a csatlakozódugót vízbe mártani tilos! A motoros egységet folyó vízzel leöblíteni tilos. Ügyeljen arra, hogy a motoros egységbe folyadék ne folyjon be.
7. Legyen nagyon körültekintő, amikor a készüléket gyermekek közelében használja.
8. A készüléket használat közben ne hagyja felügyelet nélkül.
9. Lehetőleg ne hagyja felügyelet nélkül a hálózathoz csatlakoztatott készüléket.
10. A készülék össze- és szétszerelése, tartozékok cseréje, valamint a készülék tisztítása és áthelyezése előtt, illetve ha a készüléket hosszabb ideig nem kívánja használni, akkor a készüléket kapcsolja le és a hálózati vezetékét is húzza ki az elektromos aljzatból. A csatlakozódugót a vezetéknél fogva ne húzza ki a fali aljzatból. A művelethez fogja meg a csatlakozódugót.
11. A készülék szétszerelése előtt várja meg a forgó részek lefékeződését. A biztonságos mozgatáshoz és tisztításhoz a készüléket hagyja legalább 30 percig hűlni.
12. A készüléket hóforrás, pl. tűzhely közelében ne használja. Óvja a készüléket a közvetlen napsütéstől.
13. A készüléket ne tegye más készülékre és ne használja csak a kezében tartva. A készülék körül, felül és oldalt, valamint hátul is hagyjon legalább 10 cm szabad helyet.
14. A készüléket sík, vízszintes, száraz és stabil felületen üzemeltesse. A készülékre ne tegyen rá semmilyen tárgyat se.
15. Az első használatba vétel előtt, minden tartozékot, amely közvetlenül kapcsolatba kerül a feldolgozott élelmiszerekkel, alaposan mosogassa el mosogatószeres meleg vízben (lásd a tisztítással és karbantartással foglalkozó fejezetet).
16. A készülékben található daráló kés éles, legyen óvatos a készülék üritése és tisztítása közben, nehogy az éles kés megvágja a kezét.
17. A bekapcsolás előtt a menetes gyűrűt húzza meg. A menetes gyűrűt nem szabad túl nagy erővel meghúzni!
18. A készüléket használat közben ne takarja le, és gyúlékony anyagok (pl. függöny stb.) közelében se használja.
19. Az alapanyagok adagolásához kizárólag csak a készülékhez tartozékként adott nyomórudat használja (más konyhai

eszközt vagy az ujjait nem)! A készülékhez csak a gyártó által a készülékhez mellékelte nyomórudat használja. A nyomórudat ne nyomja túl nagy erővel a készülékbe. Ellenkező esetben a daráló meghibásodhat.

20. Ne érintse meg a forgó alkatrészeket!
21. A laza ruhát, a lógó ékszereket, vagy a hosszú haját a gép forgó alkatrészei elkapathatják. **Ügyeljen arra, hogy a haja, a ruhája stb. ne kerüljön a forgó alkatrészek közelébe!**
22. A készüléket élelmiszer alapanyagok nélkül (üresen) ne használja!
23. A húsdarálóban csont, bőr és ín nélküli, kb. 20×20×60 mm-es darabokra vágott húst daráljon.
24. Ha a daráló eltömődött, akkor a működtető kapcsolót kapcsolja ellenkező forgásirányra (REV). A darálóban a tömődést okozó hús fellazul, a készüléket ezt követően átkapcsolhatja darálás üzemmódra.
25. A készüléket minden használat után tisztítsa meg. A készülék házát csak nedves ruhával törölje meg. A készüléket vízbe meríteni tilos!
26. Ne használjon a gyártó által nem ajánlott tartozékokat, ellenkező esetben elveszítheti a készülékre nyújtott garanciát.
27. Ne üzemeltesse a készüléket 5 percnél hosszabb ideig folyamatosan. 5 perc használat után a készüléket kb. 10 percre pihentesse. A készüléket (egy alkalommal) ne üzemeltesse összesen 30 percnél hosszabb ideig.
28. A készüléket kizárólag csak a jelen útmutatóban leírtak szerint, az utasításokat betartva használja.
29. A készülék kizárólag csak otthoni használatra készült. A készülék kereskedelmi célokra nem használható.
30. A készülékkel kicsontozott és ínmentes húsokat lehet darálni. A készülékben csontot, dióhéjat vagy más hasonló és kemény alapanyagokat darálni tilos.
31. A gyártó nem felel a készülék helytelen használata miatt bekövetkezett károkért.
32. A készüléket gyerekek nem használhatják. A készüléket és a hálózati vezetékét tartsa távol a gyerekektől. A készüléket gyerekek, idős, testi és szellemi fogyatékos személyek, illetve a készülék használatát nem ismerő és hasonló készülék üzemeltetéseinek a tapasztalataival nem rendelkező személyek csak a készülék

használati utasítását ismerő és a készülék használatáért felelősséget vállaló személy felügyelete mellett használhatják. A készülék nem játék, azzal gyerekek nem játszhatnak.

**Sérülésveszély!** A készüléket csak szabályszerűen összeszerelt állapotban szabad használni.

**Do not immerse in water! – Vízbe meríteni tilos!**

**ÉLETVESZÉLY gyerekeknek!** A csomagolóanyag nem játék, azt gyerekek előtt elzárva tárolja. Műanyag zacskókkal a gyerekek nem játszhatnak! Fulladásveszély!

## HASZNÁLATI ÚTMUTATÓ

### Az első használatba vétel előtt

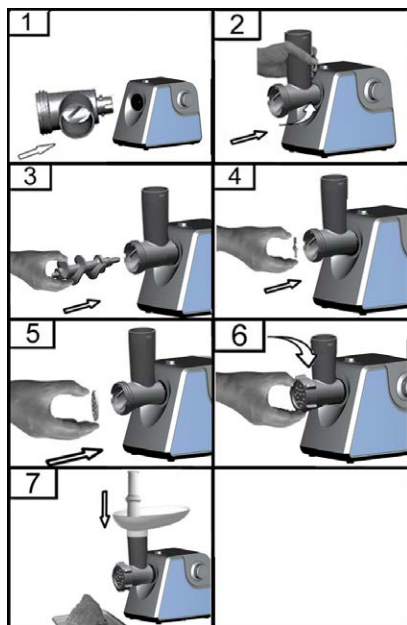
- A készüléket csomagolja ki, és arról távolítson el minden csomagolóanyagot és öntapadó reklámcímkét.
- A készüléket és tartozékait tisztítsa meg (lásd a tisztítással és karbantartással foglalkozó fejezetet).
- A készülék házát nedves ruhával vagy szivaccsal törölje meg.

**Figyelmeztetés!** A készüléket és a hálózati vezetékét vízbe vagy más folyadékba mártani, illetve folyó víz alatt elmosni tilos.

**Megjegyzés:** A készülék össze- és szétszerelése, valamint a tartozékok cseréje előtt a készüléket kapcsolja le és a hálózati vezetékét húzza ki a fali aljzatból.

### Összeállítás

- Nyomja meg a kioldó gombot, majd a daráló házat nyomja a hajtás nyílásába (a daráló házat ferdén dugja a nyílásba, lásd az 1. ábrát). A daráló házat a rögzítéshez balra fordítsa el (2. ábra).
- A daráló házba dugja be a csigát a hosszabbik végével úgy, hogy a tengely vége a menesztöbe illeszkedjen (3. ábra).
- A csiga másik végére húzza rá a kést, a lapos (éles) oldalával kifelé (4. ábra). Ha a kést véletlenül fordítva helyezi fel a csigára, akkor a daráló nem fog darálni.
- Válasszon lyukas tárcsát, a kívánt darálási finomságtól függően. A lyukas tárcsát húzza fel a csigára, ügyelve arra, hogy a tárcsán található horony a házban található büttyökre kerüljön (5. ábra).
- A lyukas tárcsát rögzítse a daráló házban a menetes gyűrű felcsavarásával (6. ábra). A menetes gyűrűt az óramutató járásával azonos irányba elforgatva (nem túl nagy erővel) húzza meg.
- Az adagoló tálcat húzza rá a daráló ház nyakára.
- A készüléket állítsa megfelelő helyre (pl. a konyhai munkalapra).
- A készülék körül hagyjon legalább 10 cm szabad helyet (a hűtés biztosításához).



## A hús előkészítése

A húst 10 cm hosszú és kb. 2x2 cm keresztmetszetű csíkokra szeletelje fel. A húsból távolítsa el a kemény részeket, csontot, porcokat és inakat. (Fagyasztott húst darálni tilos!)

Az előkészített húst tegye a tálcára. Kapcsolja be a készüléket, és a nyomórúddal finoman adagolja a húst a nyílásba. (Tatárbifsztek készítéséhez a húst kétszer darálja át.)

## Kebbe (töltött darálthús) készítése

A kebbe egy hagyományos közel-keleti étel, ami bulgur külső rézből és darált hús (elsősorban bárányhús) tölteléből készül. A készülék által formált üreges hengerbe darált hús töltelékét lehet tölteni, majd a lezárás után olajban kisütni.

1. A csigát dugja a darálóba (8. ábra). A tengelyre húzza rá a kebbe készítő feltétet. Ügyeljen arra, hogy a kebbe készítőn található horony a házban található bütökre kerüljön, majd csavarozza fel a menetes gyűrűt (9. ábra).
2. Az adagoló tálcat húzza rá a daráló ház nyakára.
3. A készülék kebbe készítésre kész (10. ábra).

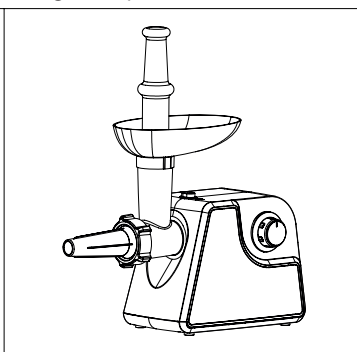
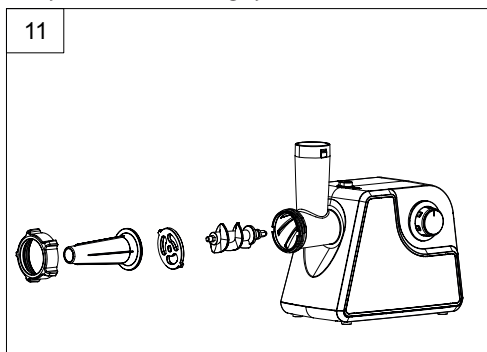
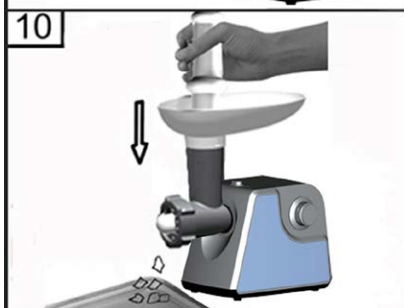
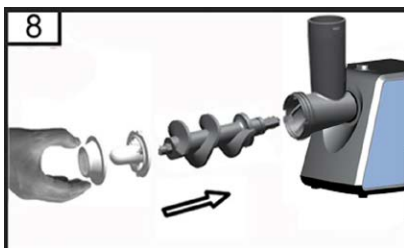
Kapcsolja be a készüléket, és a nyomórúddal finoman adagolja a bulgurból készült tésztát a nyílásba. A készülék által előállított üreges hengerbe töltsse be az ízesített darálthús keveréket.

## Kolbász töltése

1. Darálja le a húst, majd készítsen kolbásztöltelékét. A csigára húzza fel a szeparátort. Ügyeljen arra, hogy a szeparátoron található horony a házban található bütökre kerüljön, majd helyezze fel a kolbásztöltő kúpot is, végül csavarozza fel a menetes gyűrűt (11. ábra).
2. Az adagoló tálcat húzza rá a daráló ház nyakára.
3. Ezzel a készülék kolbásztöltésre kész.

Az előkészített kolbásztöltelékét tegye a tálcára. Kapcsolja be a készüléket, és a nyomórúddal finoman adagolja a töltelékét a nyílásba.

A nyers belet 10 percig áztassa hideg vízben. A puha belet húzza rá a kolbásztöltő kúpra. A bél szabad végét kösse be majd, a készülékkel adagolja a töltetet a bélbe. Ha a bél ráragad a kúpra, akkor azt nedvesítse be vízzel.



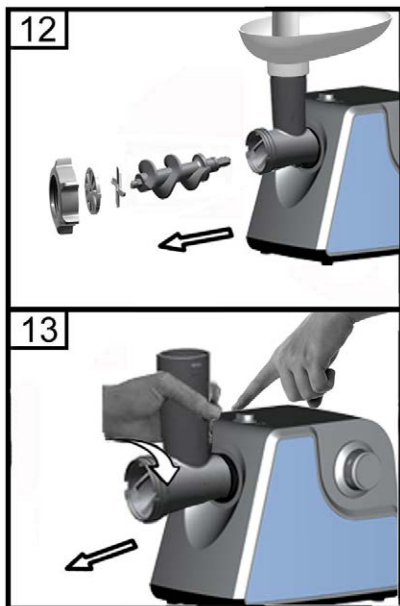
## KARBANTARTÁS ÉS TISZTÍTÁS

A készüléket minden használat után tisztítsa meg.

A készülék szétszerelése előtt várja meg a forgó részek lefékeződését. A biztonságos mozgatáshoz és tisztításhoz a készüléket hagyja legalább 30 percre hűlni.

A darálóban maradt húst egy kifli vagy egy szelet kenyér ledarálásával lehet kitisztítani. **A tisztítás közben legyen óvatos, a kések nagyon élesek.**

1. A tisztítás folytatása előtt a készüléket kapcsolja le és a hálózati vezetékét húzza ki az aljzatból.
2. Csavarozza le a menetes gyűrűt és húzza ki a daralóból az összes alkatrészt (12. ábra).
3. Nyomja meg a kioldó gombot, és a daráló házat a nyíl irányába forgassa el, majd húzza ki a motoros egység hajtásából. Húzza ki a nyomórudat és vegye le a tálcát. (13. ábra)
4. A tartozékokat (daráló ház, csiga, kés, lyukas tárcsa, szeparátor, menetes gyűrű stb.) mosogatószeres meleg vízben mosogassa el.
5. A tartozékokat tiszta vízzel öblítse le és tökéletesen szárítsa meg.
6. A daráló belső felét és a lyukas tárcsákat vékonyan kenje be étolajjal.



**Megjegyzés:** A készülék egyetlen alkatrészét és tartozékát sem lehet mosogatógépben elmosogatni.

Ha szükséges, akkor a készüléket mosogatószeres vízbe mártott és jól kicsavart ruhával törölje meg, majd szárítsa meg. A készüléket víztől és magas páratartalomtól óvja! A készüléket vízbe meríteni tilos!

- A tisztításhoz szerves oldószereket, hígítókat vagy karcoló és agresszív anyagokat használni tilos.
- A készüléket védje a közvetlen napsütéstől és a nedves környezettől.

## MŰSZAKI ADATOK

Névleges feszültség: 220–240 V ~ 50-60 Hz

Névleges teljesítményfelvétel: 300 W

## A HULLADÉKOK MEGSEMMISÍTÉSE

A papírt és a hullámpapírt dobja a papírgyűjtő konténerbe. A műanyag fóliákat, PE zacskót és egyéb műanyag csomagolóanyagokat a műanyag gyűjtő konténerbe dobja ki.

## A TERMÉK MEGSEMMISÍTÉSE AZ ÉLETTARTAMA VÉGÉN

**Az elektromos és elektronikus hulladékok kezelésére vonatkozó információk (érvényes az EU tagországokban és a hulladékok szelektálását előíró országokban)**

A terméken, vagy a termék csomagolóanyagán feltüntetett jel azt jelenti, hogy az elektromos és elektronikus készüléket a háztartási hulladékok közé kidobni tilos. A terméket az elektromos és elektronikus hulladékok gyűjtésére kijelölt hulladékgyűjtő helyen kell leadni újrahasznosításhoz. Az elhasznált termék előírászerű újrafeldolgozásával Ön is hozzájárul a környezetünk védelméhez. A hulladékok megfelelő újrahasznosítása fontos szerepet játszik a természeti erőforrások kímélésében. A termék hulladékgyűjtőbe való leadásáról, és az anyagok újrahasznosításáról további információkat a polgármesteri hivatalban, a hulladékgyűjtő helyen, vagy a termék eladási helyén kaphat.



08/05

Ez a termék megfelel a kisfeszültségű berendezések biztonságára és az elektromágneses kompatibilitásra vonatkozó EU irányelveknek.



A használati útmutatót a [www.ecg-electro.eu](http://www.ecg-electro.eu) honlapról töltheti le.

A szöveg és a műszaki paraméterek megváltoztatásának a joga fenntartva.

## INSTRUKCJE BEZPIECZEŃSTWA

**Należy uważnie przeczytać i zachować do wglądu!**

**Uwaga:** Wskazówki i środki bezpieczeństwa w niniejszej instrukcji nie obejmują wszystkich warunków i sytuacji, mogących spowodować zagrożenie. Najważniejszym czynnikiem odpowiadającym za bezpieczne korzystanie z urządzeń elektrycznych jest ostrożność i zdrowy rozsądek. Należy mieć to na uwadze w trakcie obsługi urządzenia. Nie ponosimy odpowiedzialności za szkody powstałe w trakcie transportu, na skutek nieprawidłowego użytkowania oraz zmiany lub modyfikacji którejkolwiek części urządzenia.

Przed użyciem urządzenia należy uważnie przeczytać niniejszą instrukcję i zapoznać się ze zdjęciami. Zachowaj ją do wykorzystania w przyszłości. Akcesoria mogą zawierać dodatkowe instrukcje obsługi.

Aby zapobiec wzniesieniu ognia lub porażeniu prądem elektrycznym, korzystając z urządzeń elektrycznych należy przestrzegać podstawowych zasad bezpieczeństwa, m.in.:

1. Upewnij się, że napięcie w sieci odpowiada napięciu podanemu na naklejce na urządzeniu, a gniazdko jest odpowiednio uziemione. Gniazdko musi być zainstalowane zgodnie z obowiązującymi przepisami zgodnymi z normą EN.
2. Nie wolno korzystać z urządzenia, kiedy uszkodzony jest przewód zasilania. **Wszelkie naprawy, w tym wymianę przewodu zasilającego, należy zlecić w profesjonalnym serwisie! Nie zdejmuj osłon urządzenia, mogłoby to spowodować porażenie prądem elektrycznym!**
3. Przewód zasilania nie może dotykać rozgrzanych elementów ani ostrych krawędzi.
4. Chroń urządzenie przed bezpośrednim kontaktem z wodą i innymi cieczami, aby zapobiec porażeniu prądem elektrycznym.
5. Nie używaj urządzenia na zewnątrz lub w wilgotnym środowisku, nie dotykaj urządzenia ani przewodu zasilającego mokrymi rękami. Mogłoby to spowodować porażenie prądem elektrycznym.
6. Nie wolno zanurzać w wodzie lub innych cieczach podstawy z silnikiem oraz przewodu zasilającego. Nie splukuj pod bieżącą

wodą. Nie pozwól, aby ciecz przedostała się do jednostki z silnikiem.

7. Należy zachować szczególną ostrożność, jeżeli w pobliżu urządzenia przebywają dzieci.
8. Nie należy pozostawiać włączonego urządzenia bez nadzoru.
9. Nie należy pozostawiać urządzenia podłączonego do gniazda zasilania bez nadzoru.
10. Przed serwisowaniem, montażem/demontażem, wymianą akcesoriów lub gdy urządzenie nie będzie już używane, wyłącz urządzenie i wyjmij wtyczkę przewodu zasilającego z gniazda sieciowego. Nie należy wyciągać wtyczki pociągając za kabel. Odłącz kabel chwytając za wtyczkę.
11. Przed przystąpieniem do demontażu należy zawsze odczekać, aż wszystkie części całkowicie się zatrzymają. Urządzenie potrzebuje około 30 minut na ostygnięcie, aby zapewnić bezpieczną obsługę i czyszczenie.
12. Nie używaj urządzenia w pobliżu źródeł ciepła, np. piekarnika. Chronić urządzenie przed promieniowaniem słonecznym.
13. Nie umieszczaj urządzenia na ścianie ani na innych urządzeniach. Pozostaw co najmniej 10 cm wolnej przestrzeni z tyłu i z boku oraz 10 cm wolnej przestrzeni nad urządzeniem.
14. Zawsze korzystaj z urządzenia na płaskiej i stabilnej powierzchni. Na urządzeniu nie należy umieszczać żadnych przedmiotów.
15. Przed pierwszym użyciem zalecamy umycie wszystkich części, które mają kontakt z żywnością, patrz rozdział „Czyszczenie i konserwacja”.
16. Zachowaj szczególną ostrożność podczas obsługi ostrzy tnących, zwłaszcza podczas ich zdejmowania i czyszczenia, ponieważ są one bardzo ostre i mogą spowodować obrażenia.
17. Przed rozpoczęciem pracy należy dokładnie dokręcić nakrętkę zabezpieczającą urządzenia. Nigdy nie dokręcaj nakrętki na siłę!
18. Nie zakrywaj urządzenia ani nie używaj go w pobliżu materiałów łatwopalnych, np. zasłon itp.
19. Nie używaj palców, przyborów kuchennych ani innych przedmiotów do wpychania jedzenia do urządzenia! Stosuj wyłącznie popychacz dostarczony wraz z urządzeniem. Używaj

rozsądnej siły. Zbyt duży nacisk może spowodować uszkodzenie urządzenia.

20. Nie należy dotykać poruszających się elementów!
21. Długie włosy, luźne ubrania lub akcesoria i biżuteria mogą zostać pochwycone przez obracające się części urządzenia. **Upewnij się, że Twoje włosy, ubrania i akcesoria nie znajdują się niebezpiecznie blisko obracających się części!**
22. Nie włączaj urządzenia bez włożonej żywności (bez obciążenia)!
23. Należy mieć mięso bez ścięgien i kości, wstępnie pokrojone na kawałki o wymiarach ok. 20 mm × 20 mm × 60 mm.
24. W przypadku zablokowania się urządzenia należy przestawić przełącznik w położenie Wstecz (REV). Kawałki mięsa, które utknęły w urządzeniu, zostaną uwolnione, a urządzenie powróci do swojej pierwotnej funkcji.
25. Czyść urządzenie natychmiast po każdym użyciu. Podczas czyszczenia urządzenia należy przecierać korpus tylko wilgotną szmatką. Nie należy moczyć korpusu w wodzie.
26. Stosowanie innych akcesoriów od zalecanych przez producenta grozi utratą gwarancji.
27. Nie pozwól, aby urządzenie działało nieprzerwanie dłużej niż 5 minuty. Po 5 minutach pracy należy odczekać około 10 minut, aby urządzenie ostygło przed ponownym użyciem. Nie pozostawiaj urządzenia włączonego dłużej niż 30 minut.
28. Korzystaj z urządzenia tylko zgodnie z zaleceniami zawartymi w niniejszej instrukcji.
29. Urządzenie przeznaczone jest wyłącznie do użytku domowego. Nie jest przeznaczone do użytku komercyjnego.
30. Urządzenie przeznaczone jest do obróbki mięsa bez kości ścięgien i tłuszczu. Nie należy próbować rozdrabniać kości, orzechów lub innych twardych przedmiotów.
31. Producent nie ponosi odpowiedzialności za szkody powstałe na skutek nieprawidłowego stosowania urządzenia.
32. Urządzenie nie może być używane przez dzieci. Trzymaj urządzenie i jego przewód zasilający w miejscu niedostępnym dla dzieci. Urządzenie może być używane przez osoby o ograniczonej sprawności fizycznej lub umysłowej, bądź o niedostatecznym doświadczeniu i wiedzy, jeżeli są pod nadzorem lub zostały



pouczone odnośnie użytkowania urządzenia w sposób bezpieczny i rozumieją potencjalne zagrożenia. Dzieci nie mogą bawić się urządzeniem.

**Niebezpieczeństwo uszkodzenia mienia:** Urządzenie może być używane tylko wtedy, gdy jest prawidłowo i kompletnie zmontowane.

**Do not immerse in water! – Nie zanurzaj w wodzie!**

**NIEBEZPIECZEŃSTWO dla dzieci:** Dzieci nie powinny bawić się materiałami opakowaniowymi. Nie pozwalaj dzieciom bawić się torbami plastikowymi. Niebezpieczeństwo uduszenia.

## INSTRUKCJE UŻYTKOWANIA

### Przed pierwszym uruchomieniem

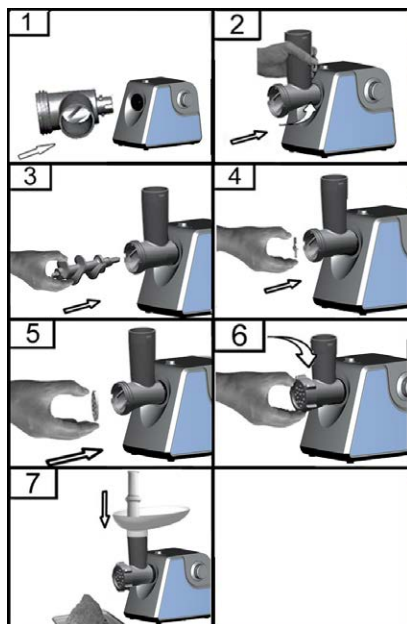
- Ostrożnie rozpakuj urządzenie i usuń cały materiał opakowaniowy oraz naklejki reklamowe.
- Oczyszcz urządzenie i wyposażenie dodatkowe, patrz rozdział „Czyszczenie i konserwacja”.
- Wyczyść korpus urządzenia wilgotną szmatką lub gąbką.

**Ostrzeżenie:** Korpus urządzenia ani kabel zasilania nie mogą być zanurzane w wodzie i innych cieczach.

**Uwaga:** Podczas montażu urządzenia lub wymiany akcesoriów należy wyłączyć urządzenie i odłączyć je od sieci elektrycznej.

### Montaż

- Wciśnij przycisk blokady i wsuń urządzenie do kołnierza (upewnij się, że jest ustawione pod kątem, patrz rys. 1). Obróć maszynkę do mielenia w lewo, aby dokręcić je w korpusie urządzenia, patrz rys. 2.
- Ślimak powinien następnie zostać umieszczony w urządzeniu dłuższym wałem tak, aby pasował do tulei w korpusie urządzenia (rys. 3).
- Umieść ostrze obrotowe na sworzniu ślimaka ostrzem (płaską, ostrą krawędzią) do przodu, jak pokazano na rysunku (rys. 4). Jeżeli nie jest on prawidłowo zamontowany, mięso nie zostanie zmielone.
- Teraz włóż do urządzenia sit o wybranej grubości. Upewnij się, że pasuje do występów w urządzeniu (rys. 5).
- Przytrzymaj sitko za środek i zamocuj je w urządzeniu za pomocą nakrętki zabezpieczającej (rys. 6). Dokręć nakrętkę zgodnie z ruchem wskazówek zegara, nie dokręcając jej zbyt mocno.
- Umieścić miskę z mięsem na gardzieli maszyny do mielenia i zabezpieczyć ją.
- Ustawić urządzenie na odpowiednim, płaskim miejscu.
- Pozostawić około 10 cm wolnej przestrzeni po bokach urządzenia, aby umożliwić dopływ powietrza.



## Przygotowywanie mięsa

Pokrój mięso w paski o długości 10 cm i grubości ok. 2 cm. Usuń kości, chrząstki, szczerbinę i ścięgna. (Nigdy nie miel mrożonego mięsa!)

Przygotuj mięso w misie maszyny do mielenia. Za pomocą popychacza delikatnie wepchnij mięso do otworu w urządzeniu. (W przypadku tatarsa, zmiel mięso dwukrotnie.)

## Przygotowywanie kebbe

Kebbe to tradycyjna potrawa z Bliskiego Wschodu, przygotowywana głównie z mielonej jagnięciny i bulguru, z których powstają nadziewane pierogi. Rolkę uformowaną przez maszynkę do mielenia można wypełnić mięsem mielonym, zamknąć i usmażyć w głębokim tłuszczu.

1. Włóż ślimak do maszyny (rys. 8). Umieść przystawkę kebbe na wale ślimaka. Upewnij się, że pasuje on do występów w urządzeniu i dokręć ją nakrętką zabezpieczającą (rys. 9).
2. Umieść miskę z mięsem na gardzieli maszyny do mielenia.
3. Urządzenie jest teraz gotowe do przyrządzania kebbe (rys. 10).

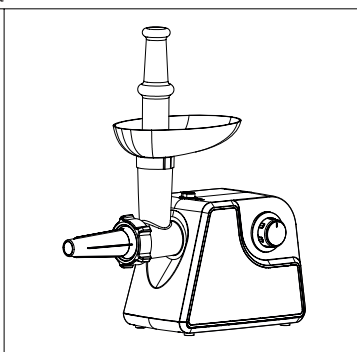
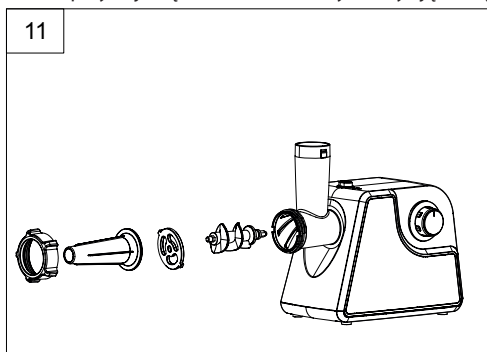
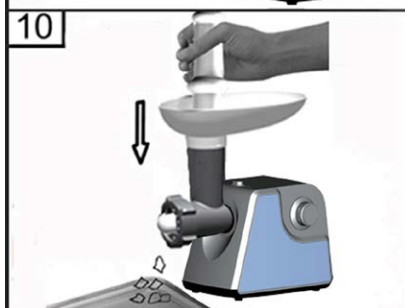
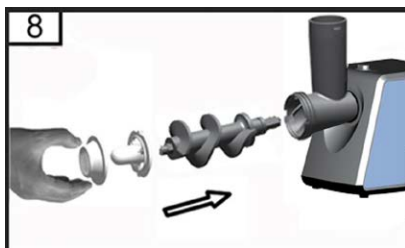
Użyj popychacza, aby delikatnie wepchnąć mieszankę bulgur do gardzieli maszyny do mielenia. Powstałe w ten sposób wgłębienie napełnij mięsem mielonym i pokrój według uznania.

## Przygotowanie kiełbas

1. Zmiel mięso i przygotuj masę kiełbasianą. Umieść separator na wale ślimaka. Upewnij się, że pasuje do wycięcia w urządzeniu, a następnie włóż nasadkę do kiełbas i dokręć ją nakrętką zabezpieczającą (rys. 11).
2. Umieść miskę z mięsem na gardzieli maszyny do mielenia.
3. Urządzenie jest teraz gotowe do przyrządzania kiełbas.

Przygotuj mieszankę w misce urządzenia. Za pomocą popychacza delikatnie wpychaj mieszankę do gardzieli urządzenia.

Namocz osłonkę w letniej wodzie na 10 minut. Następnie nawlec mokrą osłonkę na nasadkę do nadziewania kiełbas. Zamknij osłonkę i wyciśnij do niej przygotowaną (przyprawioną) mieszankę za pomocą urządzenia. Jeżeli osłonka przykleja się do nasadki, należy zwilżyć ją wodą.



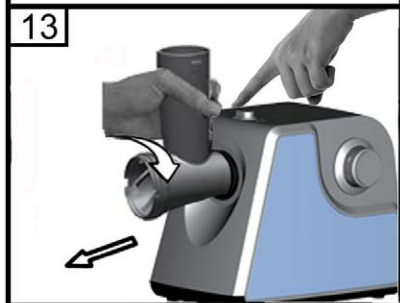
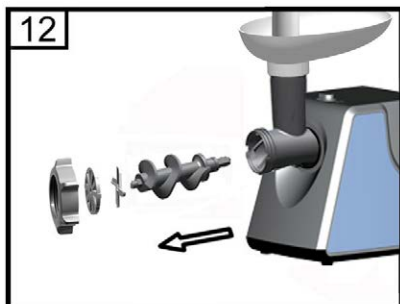
## KONSERWACJA I CZYSZCZENIE

Czyszczenie należy przeprowadzać natychmiast po każdym użyciu.

Przed przystąpieniem do demontażu należy zawsze odczekać, aż wszystkie części całkowicie się zatrzymają. Urządzenie potrzebuje około 30 minut na ostygnięcie, aby zapewnić bezpieczną obsługę i czyszczenie.

Pozostałości mięsa w urządzeniu można większością usunąć przez zmielenie bułki lub kromki chleba. **Zachowaj szczególną ostrożność podczas czyszczenia, ostrza są bardzo ostre.**

1. Przed ponownym czyszczeniem produktu należy go najpierw wyłączyć i wyjąć wtyczkę z gniazdka.
2. Odkręć nakrętkę zabezpieczającą i zdejmij wszystkie części urządzenia (rys. 12).
3. Naciśnij przycisk blokady, obróć narzędzie w kierunku strzałki i odłącz od korpusu urządzenia. Wyjmij popychacz i miskę na mięso. (rys. 13)
4. Urządzenie i wszystkie akcesoria (popychacz, miskę do mięsa, ślimak, ostrza, sitka, separatory i przystawki oraz nakrętkę zabezpieczającą) należy następnie umyć w gorącej wodzie z detergentem.
5. Oplucz je czystą gorącą wodą i natychmiast wysusz.
6. Zaleca się posmarowanie wnętrza maszynki do mielenia i sitka olejem jadalnym.



**Uwaga:** Nie myj żadnych części ani akcesoriów tego urządzenia w zmywarce.

Po użyciu oczyść korpus urządzenia wilgotną szmatką, a następnie dokładnie osusz suchą szmatką. Chroń urządzenie przed wodą i wysoką wilgotnością! Nie należy moczyć korpusu w wodzie.

- Do czyszczenia nie należy używać rozcieńczalnika, benzenu ani innych agresywnych lub ściernych środków czyszczących.
- Chroń urządzenie przed bezpośrednim światłem słonecznym oraz wilgotnym środowiskiem.

## DANE TECHNICZNE

Napięcie nominalne: 220–240 V ~ 50-60 Hz

Moc nominalna: 300 W

## LIKWIDACJA ODPADÓW

Papier pakowy i tektura falista – oddaj do recyklingu. Folia do pakowania, worki PE, części plastikowe — do pojemników do zbierania tworzyw sztucznych.

## LIKWIDACJA PRODUKTU PO SKOŃCZENIU OKRESU UŻYTKOWANIA

**Utylizacja zużytego sprzętu elektrycznego i elektronicznego (dotyczy krajów Unii Europejskiej oraz innych krajów europejskich, które wdrożyły system segregacji odpadów)**

Symbol na produkcie lub opakowaniu oznacza, że produkt nie powinien być traktowany jako odpad komunalny. Produkt należy przekazać do miejsca zajmującego się utylizacją sprzętu elektrycznego i elektronicznego. Prawidłowa utylizacja produktu chroni przed negatywnym wpływem na ludzkie zdrowie i środowisko naturalne. Recykling materiałów pomaga w zachowaniu surowców naturalnych. Szczegółowe informacje o utylizacji produktu zapewni urząd gminy, organizacje zajmujące się utylizacją odpadów komunalnych lub punkt sprzedaży, w którym produkt został zakupiony.



08/05

Urządzenie spełnia wymagania dyrektyw UE dotyczących kompatybilności elektromagnetycznej i bezpieczeństwa elektrycznego.



Instrukcja obsługi jest dostępna na stronie internetowej [www.ecg-electro.eu](http://www.ecg-electro.eu).  
Zmiana tekstu i parametrów technicznych zastrzeżona.

## INSTRUCȚIUNI PRIVIND SIGURANȚA

### Citiți cu atenție și păstrați pentru utilizare ulterioară!

**Atenție:** Măsurile și instrucțiunile privind siguranța conținute în acest manual nu includ toate condițiile și situațiile posibile. Utilizatorul trebuie să înțeleagă faptul că bunul simț, prudența și atenția sunt factori care nu pot fi integrați în niciun produs. Prin urmare, acești factori trebuie asigurați de către utilizatorul(ii) care utilizează și operează acest aparat. Nu suntem responsabili pentru pagubele cauzate în timpul transportului, de utilizarea incorectă sau de modificarea sau reglarea oricărei componente a aparatului.

Înainte de utilizarea aparatului, citiți cu atenție acest manual și analizați imaginile. Păstrați manualul pentru consultare ulterioară. Accesoriile pot conține instrucțiuni de utilizare suplimentare.

Pentru a preveni riscul de incendiu sau electrocutare, trebuie luate întotdeauna măsurile de precauție de bază atunci când se utilizează echipamente electrice, inclusiv următoarele:

1. Asigurați-vă că tensiunea de la priza dumneavoastră corespunde tensiunii menționate pe eticheta aparatului și că priza este împământată corespunzător. Priza trebuie să fie instalată în conformitate cu codurile electrice aplicabile conforme cu EN.
2. Nu utilizați niciodată aparatul în cazul în care cablul de alimentare este deteriorat. **Toate reparațiile, inclusiv înlocuirile cablurilor, trebuie efectuate la un centru de service profesionist! Nu îndepărtați capacele de protecție de la aparat; există un risc de electrocutare!**
3. Nu permiteți cablului de alimentare să atingă suprafețe fierbinți și nu treceți cablul peste margini ascuțite.
4. Protejați aparatul împotriva contactului direct cu apa sau cu alte lichide pentru a preveni potențiala electrocutare.
5. Nu utilizați aparatul în aer liber sau în medii umede și nu atingeți cablul de alimentare sau aparatul cu mâinile umede. Risc de electrocutare.
6. Nu scufundați baza cu motorul și cablul de alimentare în apă sau în alte lichide. Nu clătiți sub jet de apă de la robinet. Împiedicați pătrunderea lichidelor în unitatea motorului.

7. Acordați o atenție sporită atunci când utilizați aparatul în apropierea copiilor.
8. Aparatul nu trebuie lăsat nesupravegheat în timpul funcționării.
9. Vă recomandăm să nu lăsați aparatul cu cablul de alimentare conectat la priză nesupravegheat.
10. Înainte de a efectua lucrări de întreținere, de asamblare/demontare, de schimbare a accesoriilor sau când aparatul nu mai este utilizat, opriți aparatul și scoateți-l din priză. Nu deconectați cablul de alimentare de la priză prin smulgerea cablului. Deconectați cablul de alimentare de la priză prin apucarea fișei.
11. Întotdeauna așteptați ca toate piesele să se oprească complet înainte de a demonta aparatul. Aparatul are nevoie de aproximativ 30 de minute pentru a se răci pentru manipulare și curățare în siguranță.
12. Nu utilizați aparatul în apropierea unei surse de încălzire, de exemplu cuptor. Protejați-l împotriva luminii directe a soarelui.
13. Nu puneți aparatul pe perete sau pe alte aparate. Lăsați un spațiu liber de cel puțin 10 cm în partea din spate și lateral și un spațiu liber de cel puțin 10 cm deasupra aparatului.
14. Utilizați întotdeauna aparatul pe o suprafață netedă și stabilă. Nu puneți niciun obiect pe aparat.
15. Înainte de prima utilizare, vă recomandăm spălarea tuturor pieselor care vin în contact cu alimentele, consultați capitolul „Curățare și întreținere”.
16. Lucrați cu atenție suplimentară atunci când manipulați lamele de tăiere, în special atunci când le scoateți și le curățați, lamele sunt foarte ascuțite și pot provoca vătămări.
17. Strângeți cu atenție inelul de blocare al aparatului înainte de începe utilizarea aparatului. Nu strângeți niciodată excesiv piulița!
18. Nu acoperiți niciodată aparatul în timpul funcționării și nu îl utilizați în apropierea materialelor inflamabile, de exemplu perdele etc.
19. Nu folosiți niciodată degetele dumneavoastră, ustensilele de bucătărie sau alte obiecte pentru a împinge alimente în aparat! Utilizați numai împingătorul furnizat împreună cu aparatul. Utilizați o forță rezonabilă. Presiunea excesivă ar putea deteriora aparatul.
20. Nu atingeți componentele mobile.

21. Părul lung, hainele largi sau accesoriile și bijuteriile se pot prinde în părțile rotative ale aparatului. **Asigurați-vă că părul dumneavoastră, îmbrăcămintea dumneavoastră și accesoriile dumneavoastră nu se află în apropierea periculoasă a pieselor rotative!**
22. Nu porniți aparatul atunci când este gol (nu s-au introdus alimente în aparat)!
23. Tocați carnea de pe care ați desprins în prealabil tendoanele și oasele, pre-tăiată în bucăți de aproximativ 20 mm × 20 mm × 60 mm.
24. Dacă aparatul de tocat se blochează, rotiți comutatorul în poziția de deplasare a angrenajului melcat în sens invers (REV). Acest lucru slăbește carnea blocată în aparatul de tocat și readuce aparatul la funcția sa inițială.
25. Curățați aparatul imediat după fiecare utilizare. Atunci când curățați, ștergeți corpul aparatului numai cu o lavetă umedă. Nu îl scufundați în apă.
26. Utilizați accesoriile numai în conformitate cu recomandările producătorului, în caz contrar riscați pierderea garanției.
27. Nu lăsați aparatul să funcționeze continuu mai mult de 5 minute. După 5 minute de funcționare, lăsați aparatul să se răcească timp de aproximativ 10 minute înainte de a-l utiliza din nou. Nu lăsați aparatul în funcțiune mai mult de 30 de minute în total.
28. Utilizați acest aparat numai în conformitate cu instrucțiunile din acest manual.
29. Acest aparat este proiectat numai pentru uz casnic. Nu este conceput pentru utilizare comercială.
30. Acest aparat este conceput pentru prelucrarea cărnii de pe care s-au desprins în prealabil oasele, tendoanele și grăsimea. Nu încercați să tocați oase, nuci sau alte obiecte dure.
31. Producătorul nu este responsabil pentru nicio daună cauzată de utilizarea necorespunzătoare a acestui aparat.
32. Acest aparat nu trebuie utilizat de către copii. Nu lăsați aparatul și sursa sa de alimentare cu energie electrică la îndemâna copiilor. Aparatul poate fi utilizat de persoane cu capacități fizice, senzoriale sau mentale reduse sau cu lipsă de experiență și cunoștințe dacă sunt sub supraveghere sau dacă au beneficiat de

instruire pentru utilizarea în siguranță a aparatului și dacă înțeleg potențialele pericole. Copiii nu trebuie să se joace cu aparatul.

**Risc de distrugere a bunurilor:** Aparatul poate fi utilizat numai dacă este asamblat în mod corespunzător și corect.

**Do not immerse in water! – Nu scufundați în apă!**

**PERICOL pentru copii:** Copiii nu trebuie să se joace cu materialul de ambalare. Nu lăsați copiii să se joace cu pungile din plastic. Risc de sufocare.

## INSTRUCȚIUNI DE OPERARE

### Înainte de prima utilizare

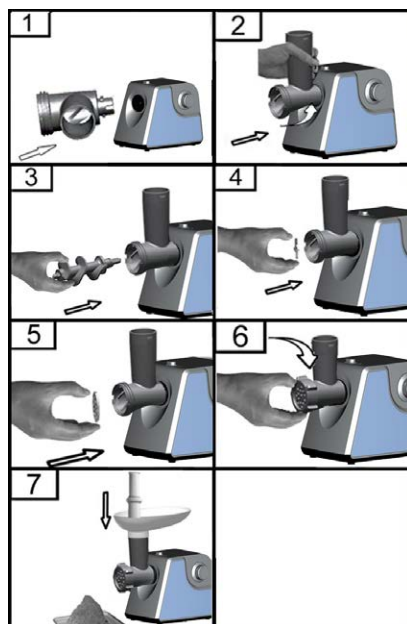
- Despachetați cu grijă aparatul și îndepărtați tot materialul de ambalare și toate autocolantele promoționale.
- Curățați aparatul și accesoriile, consultați capitolul „Curățare și întreținere”.
- Curățați aparatul de tocat cu un prosop umed sau cu un burete umed.

**Avertizare:** Nu scufundați niciodată în lichide corpul aparatului de tocat sau cablul de alimentare.

**Notă:** Atunci când asamblați aparatul de tocat sau schimbați accesoriile, opriți aparatul și scoateți-l din priză.

### Asamblarea

- Apăsăți butonul de siguranță și introduceți aparatul în flanșă (asigurați-vă că este rotit în unghi, consultați Fig. 1). Strângeți partea interioară cu pâlnia în corpul aparatului de tocat, rotind-o spre stânga, consultați Fig. 2.
- Introduceți transportorul cu șurub în aparat cu axul mai lung, astfel încât să se potrivească în corpul aparatului de tocat (Fig. 3).
- Introduceți lama rotativă pe vârful șurubului cu lamele (marginea plată, ascuțită) înainte, așa cum se arată (Fig. 4). Dacă introduceți aparatul în mod incorect, acesta nu va efectua tocarea cărnii.
- Acum introduceți în aparat un disc cu orificii corespunzătoare cu finețea de tocare selectată. Asigurați-vă că discul se potrivește în zonele de prindere de pe aparat (Fig. 5).
- Țineți discul cu orificii de centrul acestuia și fixați-l în aparat cu inelul de blocare (Fig. 6). Strângeți inelul în sens orar, nu îl strângeți excesiv.
- Așezați bolul pentru carne pe pâlnia aparatului și fixați-l.
- Amplasați aparatul de tocat pe o suprafață plană adecvată.
- Lăsați un spațiu liber de aproximativ 10 cm pe părțile laterale ale aparatului de tocat pentru accesul aerului.





## Prepararea cărnii

Tăiați carnea în fâșii de 10 cm lungime și aproximativ 2 cm grosime. Îndepărtați oasele, cartilajele, perii și tendoanele. (Nu tocați niciodată carnea congelată!)

Puneți carnea în bolul aparatului de tocat. Folosind împingătorul, împingeți ușor carnea în pâlnia aparatului de tocat. (Carnea se toacă de două ori pentru biftecul tartar.)

## Prepararea găluștelor kibbe

Kibbe este un fel de mâncare tradițional din Orientul Mijlociu preparat în principal din carne de miel tocată și bulgur, din care se formează găluște umplute. Puteți umple cu carne tocată rulada creată de aparatul de tocat, apoi închideți aparatul și prăjiți carnea.

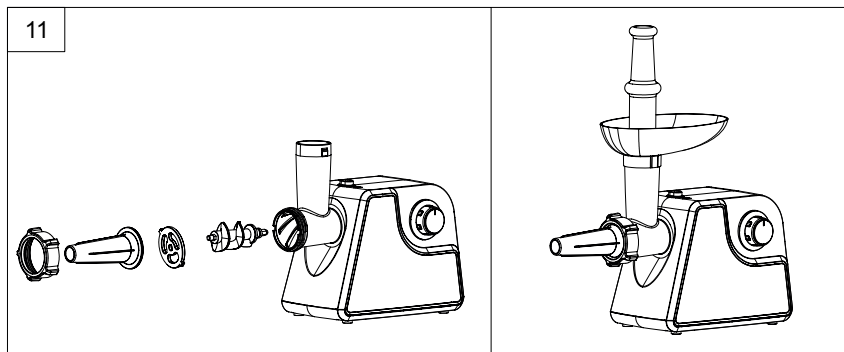
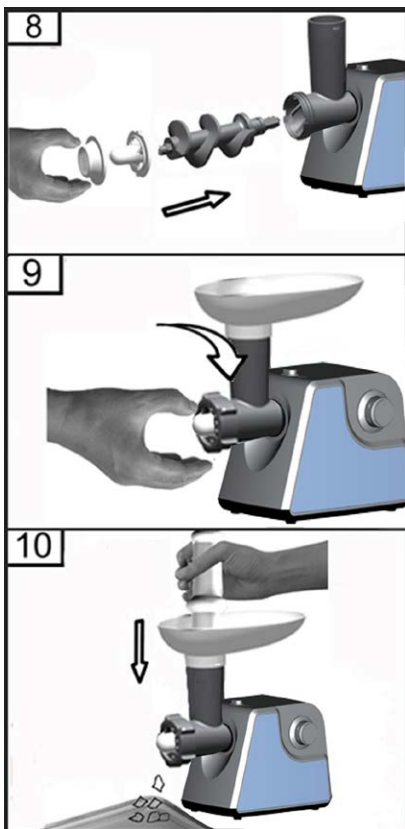
1. Introduceți angrenajul melcat cu șurub cu rol de transportor în aparat (Fig. 8). Așezați atașamentul pentru kibbe pe arborele angrenajului melcat cu șurub. Asigurați-vă că se potrivește în proeminențele de pe aparat și strângeți-l cu inelul de blocare (Fig. 9).
2. Așezați bolul pentru carne pe pâlnia aparatului de tocat.
3. Aparatul este acum gata să prepare găluște kibbe (Fig. 10). Împingeți ușor cu împingătorul amestecul de bulgur în pâlnia aparatului. Umpleți rulada goală rezultată din amestec cu carne tocată și împărțiți după cum este necesar.

## Prepararea cârnaților

1. Tocați carnea și pregătiți amestecul pentru cârnați. Așezați separatorul pe arborele angrenajului melcat cu șurub. Asigurați-vă că se potrivește în proeminențele de pe aparat, apoi introduceți accesoriul pentru cârnați și strângeți-l cu inelul de blocare (Fig. 11).
2. Introduceți bolul pentru carne pe pâlnia aparatului de tocat.
3. Aparatul este acum gata să prepare cârnați.

Pregătiți amestecul în bolul aparatului de tocat. Împingeți ușor cu un împingător amestecul în pâlnia aparatului de tocat.

Înmuiați carcasa pentru cârnați în apă caldă timp de 10 minute. Apoi introduceți carcasa umedă pe accesoriul de umplere pentru cârnați. Închideți carcasa și apăsați amestecul preparat (condimentat) în carcasa utilizând aparatul de tocat. În cazul în care carcasa se lipește de atașament, umeziți-o cu apă.

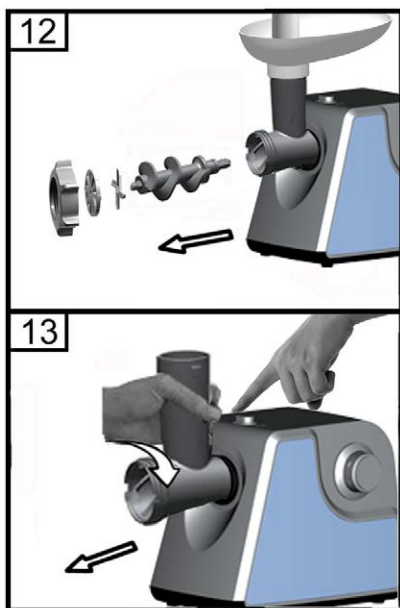


## ÎNȚREȚINERE ȘI CURĂȚARE

Curățați imediat după fiecare utilizare. Întotdeauna așteptați ca toate piesele să se oprească complet înainte de a demonta aparatul. Aparatul are nevoie de aproximativ 30 de minute pentru a se răci pentru manipulare și curățare în siguranță.

Puteți curăța grosier carnea prinsă în aparatul de tocat tocând o chiflă sau o felie de pâine. **Lucrați cu atenție suplimentară atunci când curățați, lamele sunt foarte ascuțite.**

1. Înainte de a curăța produsul în continuare, opriți-l și deconectați-l de la priză.
2. Deșurubați inelul de blocare și scoateți toate piesele aparatului (Fig. 12).
3. Apăsăți butonul de blocare, rotiți partea interioară cu pâlnia în direcția săgeții și deconectați-o de la corpul aparatului de tocat. Scoateți împingătorul și bolul pentru carne. (Fig. 13)
4. Spălați aparatul și toate accesoriile (împingător, bol pentru carne, angrenajul melcat cu șurub cu rol de transportor, lame, discuri cu orificii, separatoare și atașamente, precum și inelul de blocare) în apă fierbinte cu detergent.
5. Clătiți cu apă fierbinte curată și uscați imediat.
6. Vă recomandăm să ungeți cu ulei comestibil interiorul aparatului de tocat și discurile cu orificii.



**Notă:** Nu spălați nicio componentă a aparatului și niciun accesoriu al aparatului în mașina de spălat vase.

După utilizare, ștergeți corpul aparatului cu o lavetă umedă și apoi uscați-l temeinic cu o lavetă uscată. Protejați aparatul de apă și de umiditate ridicată! Nu îl scufundați în apă.

- Nu utilizați diluanți, benzină sau alți agenți de curățare agresivi sau abrazivi.
- Protejați-l împotriva luminii directe a soarelui și a mediului umed.

## SPECIFICAȚII TEHNICE

Tensiune nominală: 220–240 V ~ 50-60 Hz

Putere nominală de intrare: 300 W

## UTILIZAREA ȘI ELIMINAREA LA DEȘEURI

Hârtie de ambalare și carton ondulat - livrați la centrele de colectare a deșeurilor obișnuite. Folie de ambalare, saci din polietilenă, articole din plastic - aruncați în recipientele de reciclare a materialelor din plastic.

## ELIMINAREA PRODUSELOR LA SFÂRȘITUL DURATEI DE VIAȚĂ

**Eliminarea echipamentelor electrice și electronice (valabilă în țările membre ale UE și în alte țări europene cu un sistem de reciclare implementat)**

Simbolul reprezentat pe produs sau pe ambalaj indică faptul că produsul nu trebuie tratat drept deșeu menajer. Predați produsul la locația specificată pentru reciclarea echipamentelor electrice și electronice. Preveniți impactul negativ asupra sănătății oamenilor și asupra mediului prin reciclarea corespunzătoare a produsului dumneavoastră. Reciclarea contribuie la conservarea resurselor naturale. Pentru mai multe informații privind reciclarea acestui produs, consultați autoritatea locală, organizația de procesare a deșeurilor menajere sau magazinul de unde ați achiziționat produsul.



08/05

Acest produs respectă directivele UE privind compatibilitatea electromagnetă și siguranța electrică.



Manualul de utilizare este disponibil pe internet la [www.ecg-electro.eu](http://www.ecg-electro.eu).

Ne rezervăm dreptul de a efectua modificări ale textului și ale parametrilor tehnici.

## BEZPEČNOSTNÉ POKYNY

### Čítajte pozorne a uschovajte na budúcu potrebu!

**Varovanie:** Bezpečnostné opatrenia a pokyny uvedené v tomto návode nezahŕňajú všetky možné podmienky a situácie, ku ktorým môže dôjsť. Používateľ musí pochopiť, že faktorom, ktorý nie je možné zabudovať do žiadneho z výrobkov, je zdravý rozum, opatrnosť a starostlivosť. Tieto faktory teda musia byť zaistené používateľom/používateľmi používajúcimi a obsluhujúcimi toto zariadenie. Nezodpovedáme za škody spôsobené počas prepravy, nesprávnym používaním alebo zmenou či úpravou akejkoľvek časti zariadenia.

Pred použitím spotrebiča si pozorne prečítajte tento návod a prezrite obrázky. Uschovajte ho na ďalšiu potrebu. Príslušenstvo môže obsahovať ďalšie návody na použitie.

Aby nedošlo k vzniku požiaru alebo k úrazu elektrickým prúdom, mali by sa pri používaní elektrických zariadení vždy dodržiavať základné opatrenia, vrátane tých nasledujúcich:

1. Uistite sa, že napätie vo vašej zásuvke zodpovedá napätiu uvedenému na štítku zariadenia a že je zásuvka riadne uzemnená. Zásuvka musí byť inštalovaná podľa platnej elektrotechnickej normy STN.
2. Nikdy spotrebič nepoužívajte, ak je prívodný kábel poškodený. **Všetky opravy vrátane výmeny napájacieho prívodu zverte odbornému servisu! Nedemontujte ochranné kryty zariadenia, hrozí nebezpečenstvo úrazu elektrickým prúdom!**
3. Prívodný kábel sa nesmie dotýkať horúcich častí ani viesť cez ostré hrany.
4. Chráňte spotrebič pred priamym kontaktom s vodou a inými tekutinami, aby nedošlo k prípadnému úrazu elektrickým prúdom.
5. Nepoužívajte spotrebič vonku a vo vlhkom prostredí, ani sa nedotýkajte prívodného kábla alebo spotrebiča mokrymi rukami. Hrozí nebezpečenstvo úrazu elektrickým prúdom.
6. Základňu s motorom a napájací kábel neponárajte do vody ani inej kvapaliny. Neoplachujte pod tečúcou vodou. Zabráňte vniknutiu kvapaliny do jednotky s motorom.
7. Dbajte na zvýšenú pozornosť, ak používate spotrebič v blízkosti detí.

8. Spotrebič by nemal byť ponechaný počas chodu bez dozoru.
9. Odporúčame nenechávať spotrebič so zasunutým prívodným káblom v zásuvke bez dozoru.
10. Pred údržbou, montážou/demontážou, výmenou príslušenstva, alebo ak nebudete spotrebič ďalej používať, vypnite ho a vytiahnete prívodný kábel zo sieťovej zásuvky. Vidlicu nevyťahujte zo zásuvky ťahaním za kábel. Kábel odpojte od zásuvky uchopením za vidlicu.
11. Pred rozoberaním vždy vyčkajte na úplné zastavenie všetkých častí. Spotrebič potrebuje približne 30 minút na vychladnutie na bezpečnú manipuláciu a čistenie.
12. Nepoužívajte spotrebič v blízkosti zdroja tepla, napr. rúry. Chráňte ho pred priamym slnečným žiarením.
13. Neumiestňujte spotrebič na stenu ani na iné spotrebiče. Ponechajte aspoň 10 cm voľného miesta na zadnej a bočnej strane a 10 cm voľný priestor nad spotrebičom.
14. Spotrebič vždy používajte na rovnom a stabilnom povrchu. Na spotrebič neumiestňujte žiadne predmety.
15. Pred prvým použitím odporúčame všetky časti, ktoré prichádzajú do styku s potravinami umyť, pozrite kapitolu „Čistenie a údržba“.
16. Pri manipulácii so sekacími čepeľami, obzvlášť pri ich vyberaní a počas čistenia dbajte na zvýšenú opatrnosť, nože sú veľmi ostré a môžu spôsobiť poranenie.
17. Pred spustením pozorne utiahnite poistnú maticu mlecej komory. Nikdy maticu nepreťahujte násilím!
18. Spotrebič v žiadnom prípade počas prevádzky nezakrývajte ani nepoužívajte v blízkosti horľavých materiálov, napr. záclon a podobne.
19. Na utlačenie potravín do spotrebiča nikdy nepoužívajte prsty, kuchynské náčinie alebo iné predmety! Používajte výhradne utlačadlo dodávané so spotrebičom. Použite primeranú silu. Pri prílišnom tlaku by mohli dôjsť k poškodeniu spotrebiča.
20. Nedotýkajte sa pohybujuúcich sa častí!
21. Dlhé vlasy, voľný odev alebo doplnky a šperky sa môžu zachytiť rotujúcimi časťami spotrebiča. **Dbajte na to, aby sa vaše vlasy, odev a doplnky nedostali do nebezpečnej blízkosti rotujúcich častí!**

22. Nezapínajte spotrebič bez vložených potravín (naprázdno)!
23. Meľte mäso zbavené šliach a kostí, vopred rozrezané na kúsky s veľkosťou cca 20 mm × 20 mm × 60 mm.
24. Ak dôjde k zaseknutiu mlynčeka, otočte vypínač do polohy „Spät“ (REV). Mäso zaseknuté v mlynčeku sa tým uvoľní a mlecia komora sa vráti k pôvodnej funkcii.
25. Spotrebič čistite bezprostredne po každom použití. Telo spotrebiča pri čistení utierajte iba vlhkou handričkou. Nenamáčajte ho do vody.
26. Nepoužívajte príslušenstvo, ktoré nie je odporúčané výrobcom, inak sa vystavujete riziku straty záruky.
27. Prístroj nikdy nenechávajte nepretržite v chode dlhšie než 5 minút. Po 5 minútach chodu nechajte prístroj pred ďalším použitím cca 10 minút vychladnúť. Nenechávajte spotrebič v prevádzke celkovo dlhšie než 30 minút.
28. Spotrebič používajte iba v súlade s pokynmi uvedenými v tomto návode.
29. Tento spotrebič je určený iba na domáce použitie. Nie je určený na komerčné účely.
30. Tento spotrebič je určený na spracovanie mäsa bez kostí, šliach a tuku. Nepokúšajte sa mlieť kosti, oriešky ani iné tvrdé predmety.
31. Výrobca nezodpovedá za škody spôsobené nesprávnym použitím tohto zariadenia.
32. Tento spotrebič nesmú používať deti. Udržujte spotrebič a jeho prívod mimo dosahu detí. Spotrebiče môžu používať osoby so zníženými fyzickými, zmyslovými či mentálnymi schopnosťami alebo nedostatkom skúseností a znalostí, ak sú pod dozorom alebo boli poučené o používaní spotrebiča bezpečným spôsobom a rozumejú prípadným nebezpečenstvám. Deti sa so spotrebičom nesmú hrať.

**Nebezpečenstvo škody na majetku:** Spotrebič sa smie používať iba vtedy, ak je riadne a kompletne zostavený.

**Do not immerse in water! – Neponárať do vody!**

**NEBEZPEČENSTVO pre deti:** Deti sa nesmú hrať s obalovým materiálom. Nenechajte deti hrať sa s plastovými vreckami. Nebezpečenstvo udusenía.

## POKYNY NA POUŽÍVANIE

### Pred prvým použitím

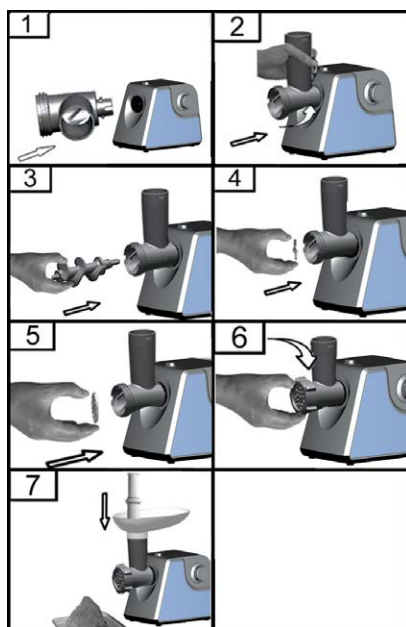
- Spotrebič opatrne vybalte a odstráňte všetok obalový materiál a reklamné nálepky.
- Mleciu komoru a príslušenstvo očistite, pozrite kapitolu „Čistenie a údržba“.
- Telo mlynčeka očistite vlhkou handričkou alebo hubkou.

**Upozornenie:** Telo mlynčeka ani prívodný kábel nikdy nenamáčajte ani neponárajte do kvapalín.

**Poznámka:** Pri zostavovaní mlynčeka alebo výmene príslušenstva spotrebič vypnite a odpojte od elektrickej siete.

### Zostavenie

- Stlačte tlačidlo poistky a vložte mleciu komoru do príruby (dbajte na to, aby bola natočená šikmo, pozrite obr. 1). Otočením doľava mleciu komoru utiahnite v tele mlynčeka, pozrite obr. 2.
- Do mlecej komory vložte závitovku dlhším hriadeľom tak, aby zapadla do unášača v tele mlynčeka (obr. 3).
- Nasadte otočný nôž na čap závitovky čepeľami (plochou, ostrou hranou) dopredu podľa obrázka (obr. 4). Ak ho nasadíte nesprávne, mäso sa nebude mlieť.
- Teraz nasadte do mlecej komory sitko zvolenej hrubosti. Dbajte na to, aby zapadlo do výstupkov na mlecej komore (obr. 5).
- Sitko pridržiňte za stred a zaistite ho v mlecej komore poistnou maticou (obr. 6). Maticu utahujte v smere hodinových ručičiek, príliš ju nepretahujte.
- Misku na mäso nasadte na mleciu komoru a upevnite ju.
- Postavte mlynček na vhodné rovné miesto.
- Po stranách mlynčeka nechajte cca 10 cm voľné miesto na prístup vzduchu.



## Príprava mäsa

Mäso nakrájajte na prúžky 10 cm dlhé a cca 2 cm hrubé. Odstráňte kosti, chrupavky, štetiny a šľachy. (Nikdy nemelte zmrznuté mäso!)

Mäso pripravte na misku mlynčeka. Utláčadlom jemne zatlačajte mäso do mlecej komory mlynčeka. (Na tatársky biftek melte mäso dvakrát.)

## Príprava kebbe

Kebbe je tradičný pokrm Stredného východu pripravený primárne z mletého jahňacieho mäsa a bulguru, z ktorého sa formujú plnené knedličky. Valček vytvorený mlynčekom môžete plniť mletým mäsom, uzavrieť a fritovať.

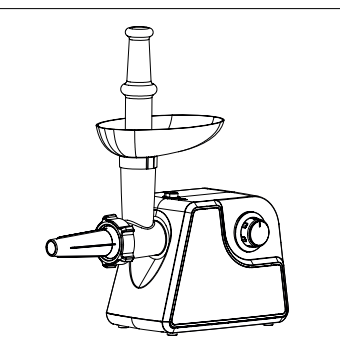
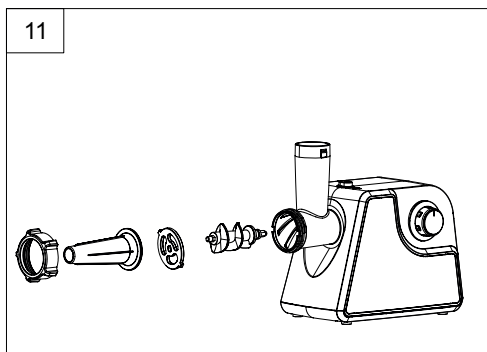
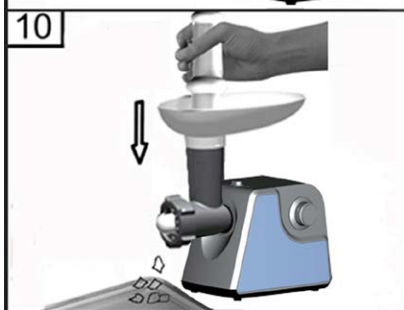
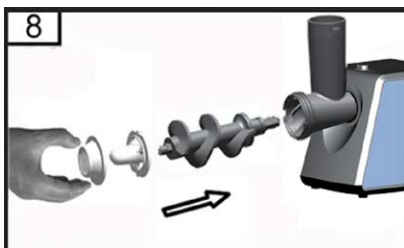
1. Vložte závitovku do mlecej komory (obr. 8). Na hriadeľ závitovky nasadte nadstavec na kebbe. Dbajte na to, aby zapadol do výstupkov na mlecej komore a utiahnite ho poistnou maticou (obr. 9).
2. Misku na mäso nasadte na mlecíu komoru.
3. Teraz je spotrebič pripravený na výrobu kebbe (obr. 10). Utláčadlom jemne zatlačajte bulgurovú zmes do mlecej komory. Vznikajúci dutý valček zmesi naplňte mletým mäsom a delte podľa potreby.

## Príprava klobás

1. Pomelte mäso a pripravte zmes na klobásy. Na hriadeľ závitovky nasadte separátor. Dbajte na to, aby zapadol do výstupkov na mlecej komore, ďalej vložte nadstavec na klobásy a utiahnite ho poistnou maticou (obr. 11).
2. Misku na mäso nasadte na mlecíu komoru mlynčeka.
3. Teraz je spotrebič pripravený na výrobu klobás.

Zmes pripravte na misku mlynčeka. Utláčadlom jemne zatlačajte zmes do mlecej komory mlynčeka.

Namočte črievko na 10 minút do vlažnej vody. Potom vlhké črievko navlečte na nadstavec na plnenie klobás. Črievko uzavrite a vtlačajte doň pripravenú (korenenú) zmes pomocou mlynčeka. Ak sa črievko prichytí k nadstavcu, zvlhčite ho vodou.

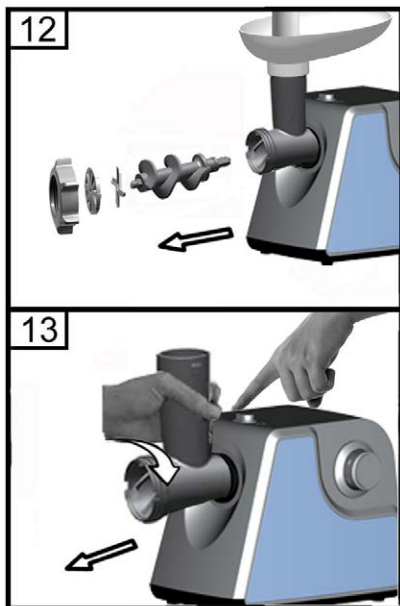


## ÚDRŽBA A ČISTENIE

Čistite bezprostredne po každom použití. Pred rozoberaním vždy vyčkejte na úplné zastavenie všetkých častí. Spotrebič potrebuje približne 30 minút na vychladnutie na bezpečnú manipuláciu a čistenie.

Mäso zachytené v mlynčeku zhruba vyčistíte zomletím rožka alebo krajca chleba. **Pri čistení dbajte na zvýšenú opatnosť, čepele sú veľmi ostré.**

1. Pred ďalším čistením výrobku ho najprv vypnite a odpojte prívod od zásuvky.
2. Odskrutkujte poistnú maticu a vyberte všetky časti z mlecjej komory (obr. 12).
3. Stlačte tlačidlo poistky, otočte mlecíu komoru v smere šípky a odpojte ju od tela mlynčeka. Vyberte utlačadlo a misku na mäso. (obr. 13)
4. Umyte mlecíu komoru a všetko príslušenstvo (utlačadlo, misku na mäso, závitovku, čepele, sitká, separátory a nadstavce aj poistnú maticu) v horúcej vode so saponátom.
5. Opláchnite ich čistou horúcou vodou a okamžite osušte.
6. Odporúčame potrieť vnútro mlynčeka a sitka jedlým olejom.



**Poznámka:** Žiadne diely ani príslušenstvo tohto spotrebiča neumývajte v umývačke riadu.

Po použití očistite telo spotrebiča vlhkou handričkou a potom dôkladne osušte suchou utierkou. Spotrebič chráňte pred vodou a vysokou vlhkosťou! Nenamáčajte ho do vody.

- Na čistenie nepoužívajte riedidlo, benzén a iné agresívne či abrazívne čistiace prostriedky.
- Chráňte pred priamym slnkom a vlhkým prostredím.

## TECHNICKÉ ÚDAJE

Menovité napätie: 220 – 240 V ~ 50 – 60 Hz

Menovitý príkon: 300 W

## VYUŽITIE A LIKVIDÁCIA ODPADU

Baliaci papier a vlnitá lepenka – odovzdajte do zberných surovín. Prebalová fólia, PE vrecúška, plastové diely – do zberných kontajnerov na plasty.

## LIKVIDÁCIA VÝROBKU PO UKONČENÍ ŽIVOTNOSTI

**Likvidácia použitých elektrických a elektronických zariadení (platí v členských krajinách EÚ a ďalších európskych krajinách so zavedeným systémom triedenia odpadu)**

Vyobrazený symbol na produkte alebo na obale znamená, že s produktom by sa nemalo nakladať ako s domovým odpadom. Produkt odovzdajte na miesto určené na recykláciu elektrických a elektronických zariadení. Správnou likvidáciou produktu zabránite negatívnym vplyvom na ľudské zdravie a životné prostredie. Recyklácia materiálov prispieva k ochrane prírodných zdrojov. Viac informácií o recyklácii tohto produktu vám poskytne obecný úrad, organizácia na spracovanie domového odpadu alebo predajné miesto, kde ste produkt kúpili.



08/05

Tento výrobok spĺňa požiadavky smerníc EÚ o elektromagnetickej kompatibilite a elektrickej bezpečnosti.



Návod na obsluhu je k dispozícii na webových stránkach [www.ecg-electro.eu](http://www.ecg-electro.eu).

Zmena textu a technických parametrov vyhradená.



## VARNOSTNI NAPOTKI

### Pazljivo preberite in shranite za morebitno kasnejšo uporabo!

**Svarilo:** Varnostni ukrepi in navodila v tem priročniku ne zajemajo vseh možnih pogojev in situacij, do katerih lahko pride. Uporabnik mora razumeti, da so dejavniki, ki jih ni mogoče vključiti v nobenega izmed izdelkov, zdrav razum, previdnost in skrbnost. Zato mora uporabnik te naprave sam zagotoviti omenjene dejavnike. Ne odgovarjamo za škodo, nastalo med transportom, zaradi nepravilne uporabe ali pa spremembe oziroma preureditve kateregakoli dela aparata.

Pred uporabo aparata temeljito preberite ta navodila in si oglejte slike. Shranite za nadaljno uporabo. Pritikline lahko vsebuje še dodatna navodila za uporabo.

Da ne bi prišlo do požara ali poškodbe zaradi električnega udara, morate pri uporabi električnih naprav vedno upoštevati osnovna varnostna navodila, med katerimi so tudi naslednja:

1. Preverite, ali električna napetost na vaši vtičnici odgovarja tisti, ki je navedena na ploščici vaše naprave in ali je vtičnica pravilno ozemljena. Vtičnica mora biti inštalirana glede na veljavne elektrotehnične standarde EN.
2. Če je električni kabel poškodovan, aparata ne uporabljajte. **Vsa popravila, vključno z menjavo priključnega kabla, zaupajte strokovnemu servisu! Ne odstranjujte zaščitnih pokrovov aparata, nevarnost električnega udara!**
3. Napajalni kabel se ne sme dotikati vročih delov ali teči preko ostrih robov.
4. Napravo zaščitite pred stikom z vodo ali drugimi tekočinami, da ne pride do električnega udara.
5. Aparata ne uporabljajte zunaj in v vlažnem okolju, prav tako se priključnega kabla ali aparata ne dotikajte z mokrimi rokami. Obstaja nevarnost električnega udara.
6. Osnovne plošče z motorjem in el. kabla ne potaplajte v vodo in druge tekočine. Ne splakujte pod tekočo vodo. Preprečite prodor tekočine v enoto z motorjem.
7. Bodite še posebej pozorni, če aparat uporabljate v bližini otrok.
8. Aparat ne sme biti med delovanjem brez nadzora.

9. Priporočamo, da aparata ne puščate s priključenim el. kablom v vtičnici brez nadzora.
10. Pred vzdrževanjem, montažo/demontažo, menjavo pritiklin ali če aparata ne boste uporabljali dlje časa, aparat ugasnite in iz omrežne vtičnice izvlecite električni kabel. Vtiča ne vlecite iz vtičnice z vlečenjem za kabel. Kabel izvlecite iz vtičnice tako, da ga držite za vtič.
11. Pred začnete z raztavljanjem vedno počakajte, da se vsi deli popolnoma vstavijo. Aparat potrebuje približno 30 minut za ohladitev za varno rokovanje in čiščenje.
12. Aparata ne uporabljajte v bližini vira toplote, npr. pečice. Varujte ga pred neposrednim sončnim sevanjem.
13. Aparata ne postavljajte na steno ali na druge aparate. Pustite vsaj 10 cm prostora na zadnji in bočni strani in 10 cm prostora nad aparatom.
14. Aparat vedno uporabljajte na ravni in stabilni površini. Na aparat ne postavljajte nobenih predmetov.
15. Pred prvo uporabo priporočamo, da se vsi deli, i prihajajo v stik z hrano, operejo, glej poglavje „čiščenje in vzdrževanje“.
16. Ko rokujete s sekalnimi rezili, še posebej ko jih odstranjujete ali pa med čiščenjem, bodite še posebej pozorni, noži so zelo ostri in lahko povzročijo telesne poškodbe.
17. Pred zagonom pozorno privite varovalno matico stolčka. Na matico nikoli ne pritiskajte premočno!
18. Aparata v nobenem primeru med delovanjem ne prekrivajte in ne uporabljajte v bližini gorečih materialov, npr. zaves ipd.
19. Ko aparat napolnujete z živili, nikoli ne uporabljajte prstov, kuhinjskega pribora ali drugih predmetov! Uporabljajte izključno potiskalo, ki se dobavlja z aparatom. Uporabite zadostno moč. Pri prekomernem pritiski pa bi lahko prišlo do poškodbe aparata.
20. Ne dotikajte se gibljivih delov!
21. Dolgi lasje, prosta oblačila ali dodatki in nakit se lahko zataknejo v vrteče dele aparat. **Pazite, da vaši lasje, oblačila ali dodatki ne pridejo v nevarno bližino vrtečih delov!**
22. Aparata ne prižigajte brez vložene hrane (ko je prazen)!
23. Meljite meso, s katerega ste odstranili kite in kosti, in ga v naprej razrezali na koške v velikosti 20 mm × 20 mm × 60 mm.

24. Če se mlinček zatakne, dajte stikalo v lego nazaj (REV). Meso, ki se je zataknilo v mlinčku, se tako sprosti in strojček se vrne v prvotno funkcijo.
  25. Aparat očistite neposredno po vsaki uporabi. Trup aparata pri čiščenju obrišite samo z lastno krpico. Ne namakajte ga v vodo.
  26. Ne uporabljajte pripomočkov, ki jih ne priporoča proizvajalec. V nasprotnem primeru tvegate izgubo pravice do uveljavitve garancije.
  27. Aparat ne sme nikoli delovati neprenehoma več kot pet minut. Po petih minutah delovanja počakajte približno 10 minut, da se aparat ohladi. Aparat ne sme delovati naenkrat več kot 30 minut.
  28. Aparat uporabljajte le v skladu z napotki, navedenimi v teh navodilih.
  29. Ta aparat je namenjen le za uporabo doma. Ni namenjen za komercialno uporabo.
  30. Ta aparat je namenjen za pripravo mesa brez kosti, kit in maščobe. Nikoli ne meljite kosti, orehov ali drugih trdih predmetov.
  31. Proizvajalec ne odgovarja za škode, nastale zaradi nepravilne uporabe tega aparata.
  32. Tega aparata ne smejo uporabljati otroci. Aparat in el. kabel morata biti izven dosega otrok. Aparat lahko uporabljajo osebe z zmanjšano fizično, duševno ali umsko sposobnostjo ali osebe, ki nimajo dovolj izkušenj, če so pod nadzorom, ali če jih je izkušena oseba podučila o varni uporabi in razumejo vse nevarnosti, povezane s to uporabo. Otroci se ne smejo igrati s to napravo.
- Nevarnost materialne škode:** Aparat se lahko uporablja samo v primeru, če je temeljito in popolnoma sestavljen.

**Do not immerse in water! – Ne potaplajte v vodo!**

**NEVARNOST za otroke:** Otroci se ne smejo igrati z embalažnim materialom. Ne dovolite, da bi se otroci igrali s plastičnimi vrečkami. Nevarnost zadušitve.

# NAPOTKI ZA UPORABO

## Pred prvo uporabo

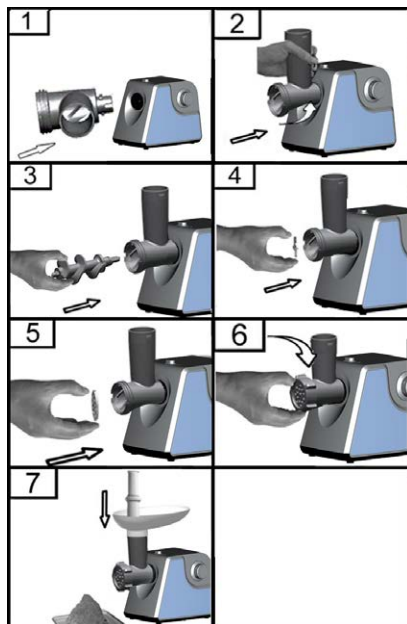
- Aparat pazljivo vzemite iz embalaže in odstranite ves embalažni material ter reklamne nalepke.
- Strojček in pritikline očistite, glej poglavje »Čiščenje in vzdrževanje«.
- Trup mlinčka očistite z vlažno krpo ali gobico.

**Opozorilo:** Trupa mlinčka in el. kabla nikoli ne namakajte in ne potaplajte v tekočine.

**Opomba:** Pri montaži mlinčka ali menjavi pritiklin aparat ugasnite in ga izklopite iz električnega omrežja.

## Sestava

- Pritisnite tipko varovala in vložite strojček v prirobnico (pazite, da bo usmerjen poševno, glej sliko 1). Z vrtenjem na levo strojček privijete v trup mlinčka, glej sliko 2.
- V strojček vložite polža daljše osi tako, da zaskoči v nosilec v trupu mlinčka (slika 3).
- Nataknite vrtljiv nož na rezilo polža z rezili (z ravnim, ostrim robom) naprej, glede na sliko (slika 4). V primeru ne pravilne namestitve, se meso ne bo mlelo.
- Sedaj namestite v strojček mrežo za izbrano stopnjo meljenja. Pazite, da se zaskoči v izhode na strojčku (slika 5).
- Mrežo pridržite za sredino in jo v strojčku zavarujte z varovalno matico. (Slika 6). Matico privite v smeri urnega kazalca, ne privijajte premočno.
- Posodico za meso namestite na požiralnik strojčka in jo pritrdite.
- Mlinček postavite na primerno ravno površino.
- Ob straneh mlinčka pustite približno 10 cm prostega prostora za dovajanje zraka.



## Priprava mesa

Meso narežite na trakce 10 cm dolge in približno 2 cm debele. Odstranite kosti, hrustance, dlake in kite. (Nikoli ne meljite zamrznjenega mesa)

Meso pripravite na posodico mlinčka. Potiskalo nežno potiskajte na meso v požiralnik mlinčka. (Za tatarski bifteck zmeljite meso dvakrat)

## Priprava kebaba

Kebab je tradicionalna hrana srednjega Vzhoda pripravljen predvsem iz mlete jagnjetine in bulgure, iz katere se oblikujejo napolnjeni cmoki. Valjček, ki ga oblikuje mlinček, lahko napolnite z mletim mesom, zaprete in cvrete.

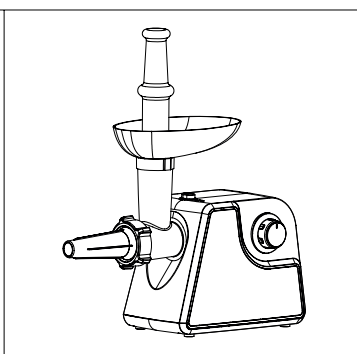
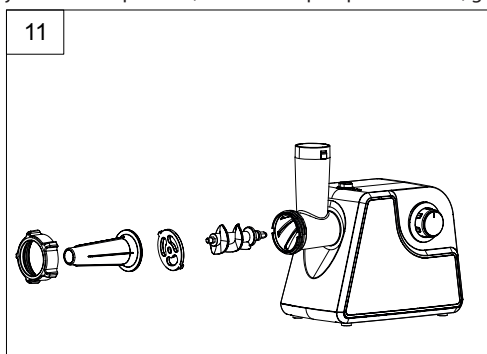
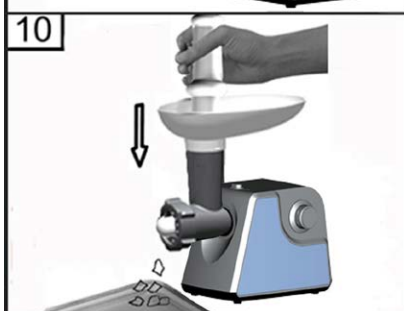
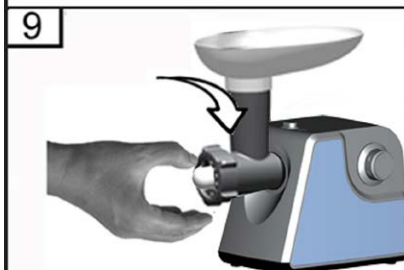
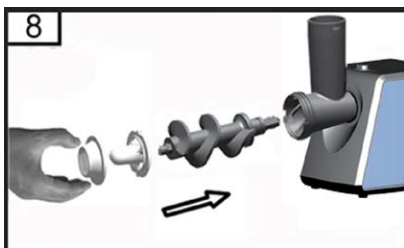
1. V strojček vložite polž (slika 8). Na os polža namestite nastavek za kebab. Bodite pozorni, da se zaskoči v izhod na strojčku in ga privite z varovalno matico (slika 9).
2. Posodico za meso namestite na požiralnik strojčka.
3. Sedaj je aparat pripravljen za pripravo kebaba (slika 10). S potiskalom nežno potiskajte mešanico iz bulgurja v požiralnik strojčka. Nastali votli valjček mešanice napolnite z mletim mesom in razdelite po potrebi.

## Priprava klobas

1. Zmeljite meso in pripravite mešanico za klobase. Na os polža namestite ločevalnik. Bodite pozorni, da se zaskoči v izhod strojčka, vložite nastavek za klobase in ga privite z varovalno matico (slika 11).
2. Posodico za meso namestite na požiralnik mlinčka.
3. Sedaj je aparat pripravljen za pripravo klobas.

Mešanico pripravite na posodico mlinčka. S potiskalom nežno potiskajte mešanico v požiralnik mlinčka.

Namočite črevo za 10 minut v mlačno vodo. Nato mlačno črevo namestite na nastavek za polnjenje klobas. Črevo zaprite in potiskajte v njega pripravljeno (začinjeno) mešanico s pomočjo mlinčka. V primeru, da se črevo prilepi k nastavku, ga navlažite z vodo.



## VZDRŽEVANJE IN ČIŠČENJE

Čiščenje izvajate neposredno po vsaki uporabi. Pred začetke z razstavljanjem vedno počakajte, da se vsi deli popolnoma vstavijo. Aparat potrebuje približno 30 minut za ohladitev za varno rokovanje in čiščenje.

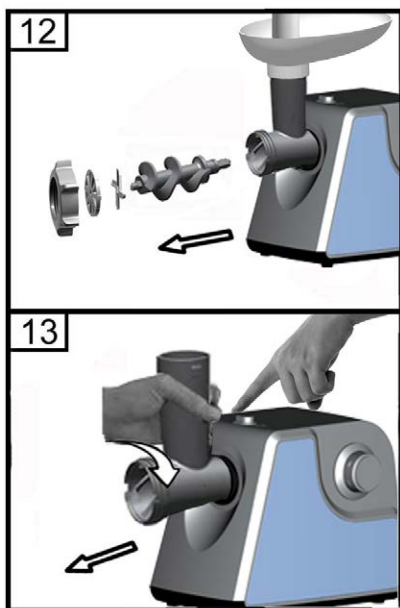
Meso, ki je ostalo v mlinčku na grobo očistite z zmleto žemljo ali kosom kruha. **Pri čiščenju bodite skozi pazljivi, rezila so zelo ostrá.**

1. Pred vsakim čiščenjem izdelka, le tega najprej ugasnite in izklopiti dovod iz pečice.
2. Odvijte varovalno matico in vzemite ven vse dele strojčka (slika 12).
3. Pritisnite na tipko varovala, strojček obrnite v smeri puščice in ga izklopite iz trupa mlinčka. Vzemite ven potiskalo in posodico za meso. (slika 13)
4. Strojček in vse pritikline (potiskalo, posodica za meso, polž, rezila, mreže, ločevalniki in nastavki ter varovalna matica) umijte v vroči vodi z detergentom.
5. Splaknite s čisto vročo vodo in takoj posušite.
6. Priporočamo, da notranjost mlinčka in mrežo premažete z jedilnim oljem.

**Opomba:** Nobenih delov in pritiklin tega aparat ne pomivajte v pomivalnem stroju.

Po uporabi očistite ohišje aparata z vlažno krpo in nato temeljito posušite s suho krpo. Aparat varujte pred vodo in močno vlago! Ne namakajte ga v vodi.

- Za čiščenje ne uporabljajte redčilo, bencin ali drugih agresivnih ali abrazivnih sredstev.
- Varujte pred neposrednim soncem in vlažnim okoljem.



## TEHNIČNI PODATKI

Nazivna napetost: 220–240 V ~ 50-60 Hz  
Nazivna moč: 300 W

## PREDELAVA IN ODSTRANITEV ODPADKOV

Emblažni papir in karton – odstranite med ločevalne odpadke. Folija, PE vrečke, plastični deli – v ločevalne posode za plastiko.

## ODSTRANJEVANJE IZDELKA NA KONCU ŽIVLJENJSKE DOBE

**Odstranjanje starih električnih in elektronskih naprav (velja v državah članicah EU in drugih evropskih državah, kjer velja zakon o ločevanju odpadkov)**

Prikazan simbol na izdelku ali embalaži pomeni, da naj se z izdelkom ne ravna kot z gospodinjstvi odpadki. Izdelek izročite v zbirno mesto, namenjeno za reciklažo električnih in elektronskih naprav. S pravilno odstranitvijo izdelka preprečite negativne vplive na človeško zdravje in okolje. Reciklaža materialov pripomore k zaščiti naravnih virov. Več informacij glede reciklaže tega izdelka dobite na lokalnem uradu, podjetju, ki se ukvarja s predelavo odpadkov ali pa v prodajalni, kjer ste kupili izdelek.



08/05

Ta izdelek izpolnjuje zahteve direktive EU o elektromagnetni združljivosti in električni varnosti.

Navodila za uporabo so na razpolago na spletnih straneh [www.ecg-electro.eu](http://www.ecg-electro.eu). Pridružujemo si pravico do spremembe besedila in tehničnih parametrov.



## BEZBEDNOSNA UPUTSTVA

### Pročitajte pažljivo i sačuvajte za buduću upotrebu!

**Pažnja:** Mere predostrožnosti i uputstva ne pokrivaju sve moguće situacije i opasnosti do kojih može doći. Korisnik treba da bude svestan da faktore bezbednosti kao što su oprezno, pažljivo i razumno rukovanje nije moguće ugraditi u proizvod. Stoga sâm korisnik ovog uređaja treba da obezbedi prisutnost tih bezbednosnih faktora. Nismo odgovorni ni za koju štetu počinjenu prevozom, nepravilnim korišćenjem ili prepravkom ili zamenom bilo kojeg dela uređaja.

Pre uporabe uređaja pažljivo pročitajte ovaj priručnik i pogledajte slike. Sačuvajte ga za buduću upotrebu. Pribor može sadržavati dodatne upute za uporabu.

Kako ne bi došlo do požara ili ozlede od udara električne struje, pri uporabi električnih uređaja uvek se trebaju poštovati temeljne bezbednosne upute među kojima su i sledeće:

1. Proverite da li napon struje u vašoj utičnici odgovara onom koji je naveden na oznaci vašeg uređaja i da li je utičnica pravilno uzemljena. Utičnica mora biti ugrađena prema zahtevima elektrotehničkih standarda.
2. Nikada ne upotrebljavajte uređaj ako je kabl za napajanje oštećen. **Bilo kakva popravka, što se odnosi i na zamenu kabla, mora biti poverena stručnom servisu! Ne skidajte sigurnosni poklopac uređaja kako ne bi došlo do opasnosti od električnog udara!**
3. Kabl se mora pružati tako da ne dolazi u dodir s vrućim predmetima i ne prolazi duž oštarih ivica.
4. Uređaj zaštitite od kontakta sa vodom ili drugim tečnostima da ne bi došlo do električnog udara.
5. Uređaj nemojte koristiti na otvorenom, kao ni u vlažnim prostorima; ne dodirujte kabl za napajanje niti uređaj mokrim rukama. Postoji opasnost od strujnog udara.
6. Ne uranjajte bazu motora i strujni kabl u vodu ili druge tečnosti. Nemojte ispirati pod mlazom vode. Osigurajte da tečnosti ne ulaze u telo uređaja s motorom.
7. Budite posebno pažljivi ako se deca nalaze u blizini dok koristite ovaj uređaj.
8. Uređaj tokom rada ne sme biti ostavljen bez nadzora.

9. Preporučamo da uređaj ne ostavljate sa kablom za napajanje uključenim u struju.
10. Pre održavanja, montaže/demontaže, promene pribora ili kada se uređaj više ne koristi, isključite uređaj i isključite ga iz utičnice. Utikač ne izvlačite iz utičnice povlačenjem za kabl. Kabl odvojte od mreže tako što ćete uhvatiti za utikač i izvući ga.
11. Prije rastavljanja uvijek pričekajte da se svi delovi uređaja potpuno zaustave. Uređaju je potrebno približno 30 minuta da se ohladi za sigurno rukovanje i čišćenje.
12. Uređaj nemojte koristiti u blizini izvora toplote, kao što su rerne. Držite ga dalje od direktne sunčeve svetlosti.
13. Ne postavljajte uređaj na zid ili na druge uređaje. Ostavite najmanje 10 cm slobodnog prostora na zadnjoj i bočnoj strani i 10 cm slobodnog prostora iznad uređaja.
14. Uređaj uvek koristite na ravnoj i čvrstoj površini. Ne stavljajte nikakve predmete na uređaj.
15. Pre prve uporabe preporučamo pranje svih delova koji dolaze u dodir sa hranom, vidi poglavlje „čišćenje i održavanje“.
16. Budite posebno oprezni pri rukovanju sa noževima, posebno kada ih skidate i čistite, oštrice su vrlo oštre i mogu uzrokovati povrede.
17. Pre početka pažljivo zategnite bezbednosnu maticu. Nikada nemojte previše zatezati maticu!
18. Uređaj u svakom slučaju tokom rada nemojte pokrivati i nemojte ga koristiti u blizini zapaljivih predmeta kao što su zavese i slično.
19. Nikada nemojte prstima, kuhinjskim priborom ili drugim predmetima gurati hranu u aparat! Koristite isključivo nabijač koji je isporučen sa uređajem. Koristite razumnu silu. Prekomerni pritisak može oštetiti aparat.
20. Ne dotičite pokretne delove!
21. Duga kosa, široka odeća ili pribor i nakit mogu biti zahvaćeni rotirajućim delovima uređaja. **Pazite da vaša kosa, odeća i pribor ne budu u opasnoj blizini rotirajućih delova!**
22. Nemojte uključivati uređaj bez umetnutog mesa (rad na prazno)!
23. Meljite meso bez tetiva i kostiju, prethodno izrezano na komade veličine približno 20 mm × 20 mm × 60 mm.
24. Ako se mlin zaglavi, okrenite prekidač u položaj Natrag (REV). Time se oslobađa meso zaglavljeno u mašini i vraća uređaj u funkciju.



25. Uređaj očistite odmah nakon svake upotrebe. Prilikom čišćenja obrišite telo uređaja samo vlažnom krpom. Nemojte ga namakati u vodi.
26. Nemojte koristiti pribor koji nije preporučio proizvođač. U suprotnom, izgubićete prava na garanciju.
27. Nikada ne ostavljajte uređaj da radi neprekidno duže od 5 minuta. Nakon 5 minuta rada, ostavite uređaj da se ohladi oko 10 minuta pre nego ga ponovno koristite. Nemojte dozvoliti da uređaj radi duže od ukupno 30 minuta.
28. Uređaj koristite samo na način koji je propisan ovim uputstvom.
29. Ovaj uređaj je namenjen samo za upotrebu u domaćinstvu. Nije namenjen za komercijalnu upotrebu.
30. Ovaj uređaj je dizajniran za obradu mesa bez kostiju, tetiva i masti. Ne pokušavajte mleti kosti, orahe ili druge tvrde predmete.
31. Proizvođač nije odgovoran za štetu koja može nastati nepravilnom upotrebom ovog uređaja.
32. Ovaj uređaj ne smeju da koriste deca. Držite aparat i njegovo napajanje van dohvata dece. Ljudi smanjenih fizičkih ili umnih sposobnosti, kao i sa nedostatkom iskustva, smeju da koriste ovaj aparat samo ako su pod nadzorom ili ako ih je iskusnija osoba uputila u korišćenje na bezbedan način i razumeju sve opasnosti povezane s tim korišćenjem. Deca se ne smeju igrati ovim uređajem.

**Rizik od materijalne štete:** Aparat se sme koristiti samo ako je pravilno i potpuno montiran.

**Do not immerse in water! – Nemojte potapati u vodu!**

**OPASNOSTI po decu:** Deca ne smeju da se igraju sa ambalažom. Ne dozvolite deci da se igraju sa plastičnim kesama. Postoji opasnost od gušenja.

## **UPUTSTVO ZA UPOTREBU**

### **Pre prve upotrebe**

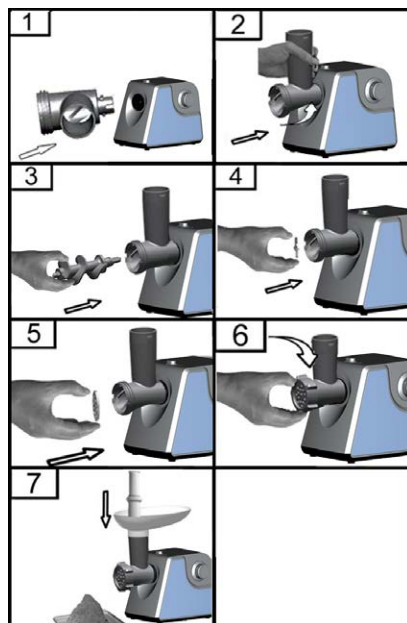
- Pažljivo raspakirajte uređaj i uklonite sav materijal za pakovanje i promotivne nalepnice.
- Očistite aparat i pribor, pogledajte dio „Čišćenje i održavanje“.
- Očistite telo mašine vlažnom krpom ili spužvom.

**Pažnja:** Nikada nemojte opteretiti ili uranjati telo mašine ili kabl za napajanje u tečnosti.

**Napomena:** Prilikom sastavljanja mašine ili zamene dodatne opreme, prebacite uređaj i odspojite ga s mreže.

## Sastav

- Pritisnite taster osigurača i umetnite uređaj u priрубnicu (proverite je li postavljen kao na slici 1). Rotirajte uređaj levo za zatezanje u telu mašine, prema sl. 2.
- Umetnite duži vijak puža u aparat tako da odgovara nosaču u telu mašine (sl. 3).
- Namestite okretni nož na čep puža (ravan, oštri rub) prema napred kao što je prikazano (sl. 4). Ako ga postavite pogrešno, meso se neće mljeti.
- Sada stavite sito odabrane grubosti u mašinu. Budite sigurni se da je sito ušlo u odgovarajući utor (sl. 5).
- Držite sito za središte i pričvrstite ga maticom za zaključavanje (sl. 6). Pritegnite maticu u smeru kazaljke na satu, nemojte ga previše pritezati.
- Stavite posudu za meso na ulaz i pričvrstite ga.
- Stavite mašinu na prikladno ravno mesto.
- Na stranama mašine ostavite oko 10 cm slobodnog prostora za ulaz vazduha.



## Priprema mesa

Odrežite meso na trake 10 cm duge i oko 2 cm debele. Uklonite kosti, hrskavice, čekinje i tetive. (Nikada ne meljite smrznuto meso!)

Pripremite meso na posudi mašine. Lagano gurnite meso u mašinu. (Za tatarski biftek meljite meso dva puta.)

## Priprema Kebbe

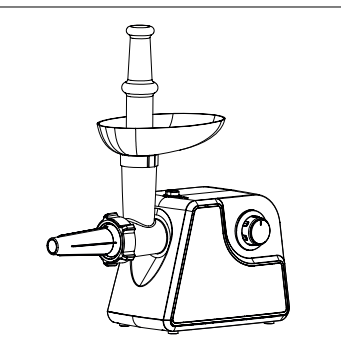
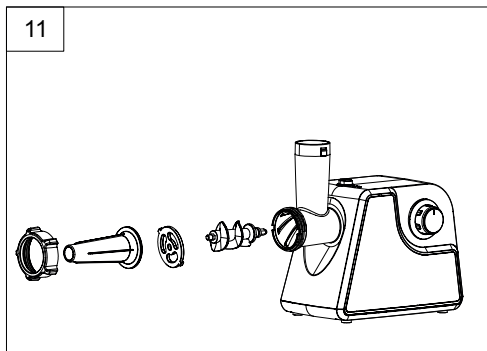
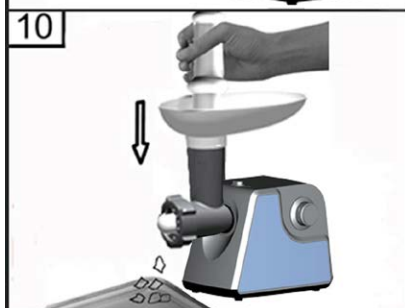
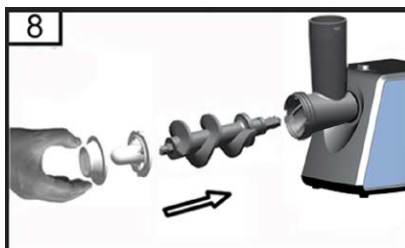
Kebbe je tradicionalno jelo srednjeg istoka pripravljeno prvenstveno od mlevene janjetine i bulgura, od kojih se tvore punjene knedle. Valjak koji je stvorila mašina može se ispuniti mlevenim mesom, zatvoriti i spremati u fritezi.

1. Umetnite puž u aparat (sl. 8). Postavite Kebbe nastavak na nosač puža. Proverite je li pravilno podešen i zategnut vijkom (sl. 9).
  2. Stavite posudu za meso na ulaz.
  3. Sada je uređaj spreman za mlevenje Kebbe (sl. 10).
- Gurnite smešu bulgura lagano nabijačem u mašinu. Šuplji valjak koji se stvara napunite smešom mlevenog mesa i podelite po potrebi.

## Priprema kobasice

1. Nameljite meso i pripremite smešu za kobasice. Pričvrstite separator na vratilu puža. Proverite je li pravilno podešen i umetnite nastavak za kobasice i zategnite ga vijkom (sl. 11).
  2. Stavite posudu za meso na grlo ulaza.
  3. Sada je uređaj spreman za mlevenje kobasica.
- Pripremite smešu na posudi mašine. Lagano gurnite smešu u mašinu.

Namočite crevo na 10 minuta u mlaku vodu. Nakon toga vlažno crevo navucite na nastavak kako bi ispunili kobasicu. Zatvorite crevo i nabijte u njega pripremljenu (začinjenu) smešu uz pomoć mašine. Ako je crevo pričvršćeno na nastavku, navlažite ga vodom.



## ODRŽAVANJE I ČIŠĆENJE

Očistite odmah nakon svake upotrebe.

Pre rastavljanja uvek pričekajte da se svi delovi aparata potpuno zaustave. Uređaju je potrebno približno 30 minuta da se ohladi za sigurno rukovanje i čišćenje.

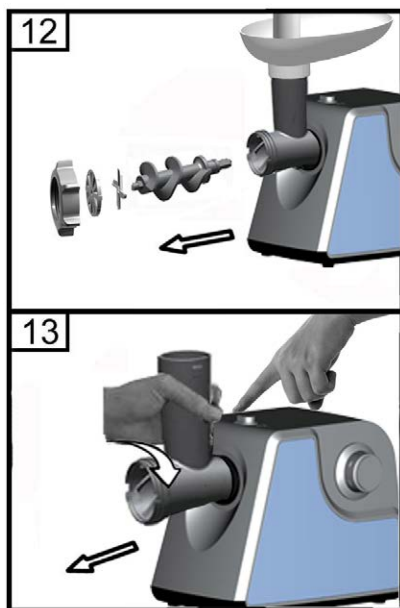
Meso koje je zaostalo u mlevenju očistite mlevenjem peciva ili kriški hleba. **Prilikom čišćenja budite pažljivi, nož je vrlo oštar.**

1. Pre detaljnijeg čišćenja, prvo aparat isključite i odvojite ga od dovoda struje.
2. Odvijte maticu za zaključavanje i uklonite sve dijelove stroja (sl. 12).
3. Pritisnite taster osigurača, okrenite uređaj u pravcu strelice i odvojite ga iz tela mašine. Uklonite posudu i jelo od mesa. (sl. 13)
4. Operite stroj i sav pribor (nabijač, posudu za meso, puž, oštrice, sita, separatore i nastavke i brave matice) u toploj vodi sa deterdžentom.
5. Isperite ih sa čistom toplom vodom i odmah osušite.
6. Preporučamo brisanje unutrašnjosti i sita jestivim uljem.

**Napomena:** Nemojte prati delove ili pribor ovog uređaja u mašini za pranje sudova.

Telo uređaja očistite vlažnom, a zatim temeljno osušite suvom krpom. Uređaj čuvajte da ne dođe u dodir s vodom i velikom vlagom! Nemojte ga namakati u vodi.

- Nemojte koristiti razređivač, benzen i druga agresivna ili abrazivna sredstva za čišćenje.
- Čuvajte od direktnog delovanja sunčevih zraka i vlažne okoline.



## TEHNIČKI PODACI

Nominalni napon: 220–240 V ~ 50-60 Hz

Nominalna snaga: 300 W

## UPOTREBA I ODLAGANJE OTPADA

Papirni otpad i kartonsku ambalažu predajte u reciklažna dvorišta. Foliju za pakovanje, kese od polietilena i plastične delove odložite u kontejnere za plastiku.

## ODLAGANJE PROIZVODA NAKON ISTEKA RADNOG VEKA

**Odlaganje otpada električne i elektronske opreme (primenljivo u državama članicama EU i drugim evropskim zemljama koje su uspostavile sisteme razvrstavanja otpada)**

Oznaka koja je navedena na proizvodu ili na ambalaži označava da se proizvod ne sme odlagati kao kućni otpad. Proizvod odložite na mesto određeno za recikliranje električne i elektronske opreme. Ispravnim odlaganjem proizvoda sprečavate negativne uticaje na zdravlje ljudi i okolinu. Reciklažom materijala pomažete očuvanju prirodnih resursa. Dodatne informacije o recikliranju ovog proizvoda pružice vam lokalne vlasti, organizacija za preradu kućnog otpada ili prodajno mesto na kom ste kupili proizvod.

Ovaj proizvod je usklađen sa direktivama EU o elektromagnetnoj kompatibilnosti i električnoj sigurnosti.

Uputstvo za korišćenje dostupno je na veb-stranici [www.ecg-elektro.eu](http://www.ecg-elektro.eu).

Zadržano je pravo na izmenu teksta i tehničkih parametara.



08/05



## ΟΔΗΓΙΕΣ ΑΣΦΑΛΕΙΑΣ

**Διαβάστε προσεκτικά και φυλάξτε για μελλοντική χρήση!**

**Προσοχή:** Τα μέτρα και οι οδηγίες ασφάλειας που περιέχονται στο παρόν εγχειρίδιο δεν περιλαμβάνουν όλες τις συνθήκες και τις δυνητικές περιστάσεις. Ο χρήστης πρέπει να κατανοήσει ότι η κοινή λογική, η προσοχή και η φροντίδα είναι στοιχεία που δεν μπορούν να ενσωματωθούν σε κανένα προϊόν. Συνεπώς, αυτά τα στοιχεία πρέπει να διασφαλιστούν από τον χρήστη που λειτουργεί και χειρίζεται την εν λόγω συσκευή. Δεν φέρουμε ευθύνη για ενδεχόμενες ζημιές που προκλήθηκαν κατά τη μεταφορά, λόγω εσφαλμένης χρήσης ή λόγω τροποποίησης ή μετατροπής οποιουδήποτε μέρους της συσκευής.

Διαβάστε προσεκτικά αυτό το εγχειρίδιο και δείτε τις εικόνες πριν χρησιμοποιήσετε τη συσκευή. Φυλάξτε για μελλοντική αναφορά. Τα αξεσουάρ ενδέχεται να περιέχουν πρόσθετες οδηγίες χρήσης.

Για την αποτροπή πυρκαγιάς ή ηλεκτροπληξίας, πρέπει να λαμβάνετε πάντα βασικές προφυλάξεις κατά τη χρήση ηλεκτρικού εξοπλισμού, συμπεριλαμβανομένων των ακόλουθων:

1. Βεβαιωθείτε ότι η τάση της παροχής ρεύματος στον χώρο σας αντιστοιχεί στην τάση που αναφέρεται στην ετικέτα της συσκευής, καθώς και ότι η πρίζα είναι γειωμένη σωστά. Η παροχή ρεύματος πρέπει να είναι εγκατεστημένη σύμφωνα με τους ισχύοντες κανονισμούς και τα πρότυπα για ηλεκτρικές εγκαταστάσεις (EN).
2. Μην χρησιμοποιείτε ποτέ τη συσκευή εάν το καλώδιο ρεύματος έχει βλάβες. **Όλες οι επισκευές, συμπεριλαμβανομένων των αλλαγών καλωδίων, πρέπει να διεξάγονται σε επαγγελματικό κέντρο επισκευών! Μην αφαιρείτε τα προστατευτικά καλύμματα από τη συσκευή· υπάρχει κίνδυνος ηλεκτροπληξίας!**
3. Μην αφήνετε το καλώδιο ρεύματος να αγγίζει καυτές επιφάνειες ή να διέρχεται επάνω από κοφτερές ακμές.
4. Προφυλάξτε τη συσκευή από απευθείας επαφή με νερό ή άλλα υγρά για να αποτρέψετε ενδεχόμενη ηλεκτροπληξία.
5. Μην χρησιμοποιείτε τη συσκευή σε εξωτερικούς χώρους και σε υγρό περιβάλλον και μην αγγίζετε το καλώδιο ρεύματος ή τη συσκευή με υγρά χέρια. Κίνδυνος ηλεκτροπληξίας.

6. Μην βυθίζετε τη βάση με τον κινητήρα και το καλώδιο ρεύματος σε νερό ή άλλα υγρά. Μην ξεπλένετε με τρεχούμενο νερό. Αποφύγετε την είσοδο υγρών στη μονάδα με τον κινητήρα.
7. Δώστε ιδιαίτερη προσοχή όταν χρησιμοποιείτε τη συσκευή κοντά σε παιδιά.
8. Η συσκευή δεν πρέπει να αφήνεται χωρίς επίβλεψη κατά τη λειτουργία.
9. Σας συνιστούμε να μην αφήνετε τη συσκευή χωρίς επίβλεψη και με το καλώδιο ρεύματος συνδεδεμένο.
10. Πριν εκτελέσετε εργασίες συντήρησης, συναρμολόγησης/ αποσυναρμολόγησης ή αλλαγής αξεσουάρ, ή όταν η συσκευή δεν χρησιμοποιείται πλέον, απενεργοποιήστε τη συσκευή και αποσυνδέστε την από το ρεύμα. Μην αποσυνδέετε το καλώδιο ρεύματος από την πρίζα τραβώντας βίαια το καλώδιο. Αποσυνδέστε το καλώδιο ρεύματος από την πρίζα πιάνοντας το φις.
11. Περιμένετε πάντα να σταματήσουν πλήρως όλα τα εξαρτήματα πριν την αποσυναρμολόγηση. Η συσκευή χρειάζεται περίπου 30 λεπτά για να κρυώσει αρκετά ώστε να μπορείτε να την πιάσετε και να την καθαρίσετε με ασφάλεια.
12. Μην χρησιμοποιείτε τη συσκευή κοντά σε πηγές θερμότητας – για παράδειγμα, έναν φούρνο. Προφυλάξτε τη συσκευή από το άμεσο ηλιακό φως.
13. Μην βάλετε τη συσκευή στον τοίχο ή επάνω σε άλλες συσκευές. Αφήστε τουλάχιστον 10 εκ. ελεύθερου χώρου στην πίσω πλευρά και στα πλάγια, και 10 εκ. ελεύθερου χώρου επάνω από τη συσκευή.
14. Να χρησιμοποιείτε πάντα τη συσκευή σε ομαλή και σταθερή επιφάνεια. Μην τοποθετείτε αντικείμενα επάνω στη συσκευή.
15. Πριν από την πρώτη χρήση, συνιστούμε να πλύνετε όλα τα εξαρτήματα που έρχονται σε επαφή με τρόφιμα – δείτε το κεφάλαιο «Καθαρισμός και συντήρηση».
16. Προσέξτε ιδιαίτερα όταν χειρίζεστε τις λεπίδες κοπής, ειδικά όταν τις αφαιρείτε και τις καθαρίζετε, επειδή οι λεπίδες είναι πολύ κοφτερές και μπορεί να προκαλέσουν τραυματισμούς.
17. Σφίξτε προσεκτικά τον δακτύλιο ασφάλισης του μηχανήματος πριν από την εκκίνηση. Μην σφίγγετε ποτέ υπερβολικά το παξιμάδι!

18. Μην σκεπάζετε ποτέ τη συσκευή κατά τη λειτουργία και μην τη χρησιμοποιείτε κοντά σε εύφλεκτα υλικά, όπως κουρτίνες κ.λπ.
19. Μην χρησιμοποιείτε ποτέ τα δάχτυλά σας, μαγειρικά σκεύη ή άλλα αντικείμενα για να σπρώξετε τρόφιμα μέσα στη συσκευή! Να χρησιμοποιείτε μόνο το εξάρτημα πίεσης που παρέχεται με τη συσκευή. Χρησιμοποιήστε εύλογη δύναμη. Η υπερβολική πίεση μπορεί να προκαλέσει βλάβη στη συσκευή.
20. Μην αγγίζετε τα κινούμενα εξαρτήματα.
21. Μακριά μαλλιά, χαλαρά ρούχα ή αξεσουάρ και κοσμήματα μπορεί να πιαστούν από τα περιστρεφόμενα εξαρτήματα της συσκευής.  
**Βεβαιωθείτε ότι τα μαλλιά, τα ρούχα και τα αξεσουάρ σας δεν πλησιάζουν σε επικίνδυνη απόσταση τα περιστρεφόμενα εξαρτήματα!**
22. Μην ενεργοποιείτε τη συσκευή χωρίς να εισάγετε τρόφιμα (άδεια)!
23. Κόψτε εκ των προτέρων το κρέας, αφού αφαιρέσετε τένοντες και οστά, σε τεμάχια διαστάσεων περίπου 20 χιλ. × 20 χιλ. × 60 χιλ.
24. Εάν η μηχανή κοπής μπλοκάρει, γυρίστε τον διακόπτη στη θέση αντίστροφης κίνησης (REV). Με αυτόν τον τρόπο, το κρέας που έχει κολλήσει στη μηχανή κοπής χαλαρώνει και η μηχανή επιστρέφει στην αρχική της λειτουργία.
25. Καθαρίστε τη συσκευή αμέσως μετά από κάθε χρήση. Κατά τον καθαρισμό, σκουπίστε το σώμα της συσκευής μόνο με υγρό πανί. Do not immerse in water! – Μην βυθίζετε σε νερό.
26. Να χρησιμοποιείτε μόνο αξεσουάρ που προτείνονται από τον κατασκευαστή, αλλιώς κινδυνεύετε να χάσετε την κάλυψη της εγγύησης.
27. Μην αφήνετε τη συσκευή να λειτουργεί συνεχώς για περισσότερα από 5 λεπτά. Μετά από 5 λεπτά λειτουργίας, αφήστε τη συσκευή να κρυώσει για περίπου 10 λεπτά πριν τη χρησιμοποιήσετε ξανά. Μην αφήνετε τη συσκευή σε λειτουργία για περισσότερο από 30 λεπτά συνολικά.
28. Να χρησιμοποιείτε τη συσκευή μόνο σύμφωνα με τις οδηγίες στο παρόν εγχειρίδιο.
29. Η συσκευή είναι σχεδιασμένη μόνο για οικιακή χρήση. Δεν προορίζεται για επαγγελματική χρήση.

30. Αυτή η συσκευή έχει σχεδιαστεί για την επεξεργασία κρέατος χωρίς οστά, τένοντες και λίπος. Μην προσπαθήσετε να αλέσετε κόκαλα, ξηρούς καρπούς ή άλλα σκληρά αντικείμενα.
31. Ο κατασκευαστής δεν φέρει ευθύνη για ενδεχόμενες ζημιές που προκλήθηκαν λόγω ακατάλληλης χρήσης της συσκευής.
32. Η συσκευή δεν πρέπει να χρησιμοποιείται από παιδιά. Φυλάξτε τη συσκευή και την παροχή ρεύματος της συσκευής μακριά από μέρη που μπορούν να φτάσουν παιδιά. Η συσκευή μπορεί να χρησιμοποιείται από άτομα με μειωμένες φυσικές, αισθητηριακές ή νοητικές ικανότητες, ή έλλειψη εμπειρίας και γνώσεων, εάν επιβλέπονται ή έχουν εκπαιδευτεί να χρησιμοποιούν τη συσκευή με ασφάλεια και κατανοούν τους δυνητικούς κινδύνους. Τα παιδιά δεν πρέπει να παίζουν με τη συσκευή.

**Κίνδυνος πρόκλησης υλικών ζημιών:** Η συσκευή μπορεί να χρησιμοποιηθεί μόνο εάν έχει συναρμολογηθεί σωστά και πλήρως.

**Do not immerse in water! – Μην βυθίζετε σε νερό!**

**ΚΙΝΔΥΝΟΣ για παιδιά:** Τα παιδιά δεν πρέπει να παίζουν με τα υλικά συσκευασίας. Μην αφήνετε τα παιδιά να παίζουν με τις πλαστικές σακούλες. Κίνδυνος ασφυξίας.



## ΟΔΗΓΙΕΣ ΧΕΙΡΙΣΜΟΥ

### Πριν από την πρώτη χρήση

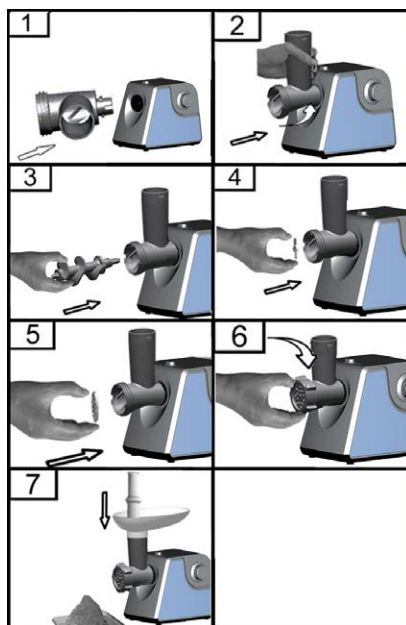
- Αποσυσκευάστε προσεκτικά τη συσκευή και αφαιρέστε όλα τα υλικά συσκευασίας και τα διαφημιστικά αυτοκόλλητα.
- Καθαρίστε το μηχάνημα και τα αξεσουάρ – δείτε το κεφάλαιο «Καθαρισμός και συντήρηση».
- Καθαρίστε το σώμα της μηχανής κοπής με ένα νωπό πανί ή σφουγγάρι.

**Προειδοποίηση:** Ποτέ μην μουλιάζετε ή βυθίζετε το σώμα της μηχανής κοπής ή το καλώδιο ρεύματος σε υγρά.

**Σημείωση:** Όταν συναρμολογείτε τη μηχανή κοπής ή αλλάζετε αξεσουάρ, απενεργοποιήστε τη συσκευή και αποσυνδέστε την από το ρεύμα.

### Συναρμολόγηση

- Πατήστε το κουμπί ασφαλείας και εισαγάγετε το μηχάνημα μέσα στη φλάντζα (βεβαιωθείτε ότι είναι γυρισμένο υπό γωνία, δείτε Εικ. 1). Σφίξτε το μηχάνημα στο σώμα της μηχανής κοπής, περιστρέφοντάς το προς τα αριστερά, δείτε Εικ. 2.
- Εισάγετε τον κοχλιοφόρο μεταφορά στο μηχάνημα με τον μακρύτερο άξονα εμπρός, ώστε να εφαρμόσει στο σώμα της μηχανής κοπής (Εικ. 3).
- Εισάγετε την περιστροφική λεπίδα στο άκρο της βίδας με τις λεπίδες (επίπεδο, κοφτερό άκρο) προς τα εμπρός, όπως φαίνεται στην Εικ. 4. Εάν η τοποθέτηση γίνει λανθασμένα, δεν θα αλέθεται το κρέας.
- Στη συνέχεια, εισαγάγετε μια διάτρητη πλάκα με το επιθυμητό μέγεθος οπών στο μηχάνημα. Βεβαιωθείτε ότι εφαρμόζει στις γλωττίδες του μηχανήματος (Εικ. 5).
- Κρατήστε τη διάτρητη πλάκα από το κέντρο και ασφαλίστε την στο μηχάνημα με τον δακτύλιο ασφάλισης (Εικ. 6). Σφίξτε τον δακτύλιο δεξιόστροφα· μην τον σφίξετε υπερβολικά.
- Τοποθετήστε το μπολ κρέατος στη χοάνη του μηχανήματος και σταθεροποιήστε το.
- Τοποθετήστε το μηχάνημα κοπής σε μια κατάλληλη, οριζόντια και επίπεδη επιφάνεια.
- Αφήστε περίπου 10 εκ. ελεύθερο χώρο στις πλευρές του μηχανήματος κοπής για πρόσβαση αέρα.



## Παρασκευή κρέατος

Κόψτε το κρέας σε λωρίδες μήκους 10 εκ. και πάχους περίπου 2 εκ. Αφαιρέστε τα οστά, τους χόνδρους, τις τρίχες και τους τένοντες. (Μην αλέθετε ποτέ κατεψυγμένο κρέας!)

Τοποθετήστε το κρέας μέσα στο μπολ της μηχανής κοπής. Χρησιμοποιώντας το εξάρτημα πίεσης, σπρώξτε απαλά το κρέας μέσα στη χοάνη της μηχανής κοπής. (Αλέστε το κρέας δύο φορές για μπιφτέκι ταρτάρ.)

## Παρασκευή kibbe

Το kibbe είναι ένα παραδοσιακό πιάτο της Μέσης Ανατολής, που παρασκευάζεται κυρίως από αλεσμένο αρνί και πλιγούρι, με το οποίο φτιάχνονται γεμιστά ζυμαρικά. Μπορείτε να γεμίσετε το ρολό που δημιουργείται από τη μηχανή κοπής με κιμά, να το κλείσετε και να το τηγανίσετε.

1. Εισάγετε τον κοχλιοφόρο μεταφορέα στο μηχάνημα (Εικ. 8). Τοποθετήστε το προσάρτημα για kibbe στον άξονα του κοχλία. Βεβαιωθείτε ότι εφαρμόζει στις προεξοχές του μηχανήματος και σφίξτε το με τον δακτύλιο ασφάλισης (Εικ. 9).
2. Τοποθετήστε το μπολ κρέατος στη χοάνη του μηχανήματος.
3. Η συσκευή είναι τώρα έτοιμη για την παρασκευή kibbe (Εικ. 10)

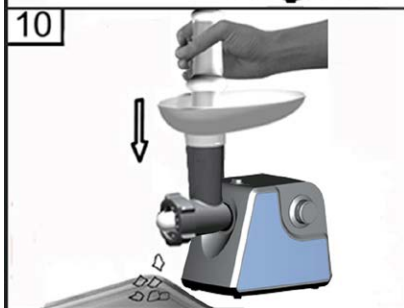
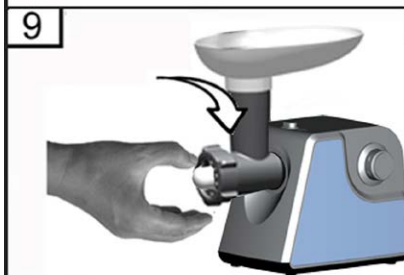
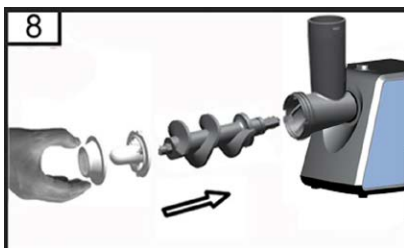
Σπρώξτε μαλακά το μίγμα με το πλιγούρι μέσα στη χοάνη του μηχανήματος με το εξάρτημα πίεσης. Γεμίστε με κιμά το άδειο ρολό που δημιουργείται από το μείγμα και κόψτε το όπως απαιτείται.

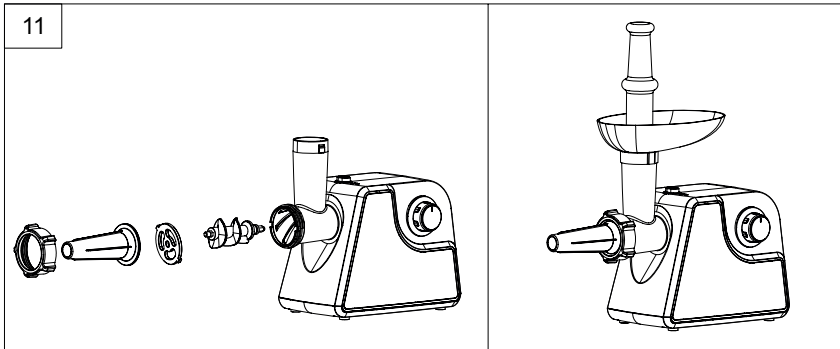
## Παρασκευή λουκάνικων

1. Αλέστε το κρέας και ετοιμάστε το μείγμα για τα λουκάνικα. Τοποθετήστε τον διαχωριστήρα στον άξονα του κοχλία. Βεβαιωθείτε ότι εφαρμόζει στις προεξοχές του μηχανήματος και κατόπιν εισάγετε το προσάρτημα για λουκάνικα και σφίξτε το με τον δακτύλιο ασφάλισης (Εικ. 11).
2. Εισάγετε το μπολ κρέατος στη χοάνη του μηχανήματος κοπής.
3. Η συσκευή είναι τώρα έτοιμη για την παρασκευή λουκάνικων.

Ετοιμάστε το μείγμα στο μπολ του μηχανήματος κοπής. Σπρώξτε μαλακά το μείγμα μέσα στη χοάνη του μύλου με ένα εξάρτημα πίεσης.

Μουλιάστε το περίβλημα του λουκάνικου σε χλιαρό νερό για 10 λεπτά. Στη συνέχεια, εισάγετε το υγρό περίβλημα πάνω στο εξάρτημα για το γέμισμα λουκάνικων. Κλείστε το περίβλημα και σπρώξτε το προετοιμασμένο (και καρυκευμένο) μείγμα μέσα σε αυτό χρησιμοποιώντας το μηχανήμα κοπής. Εάν το περίβλημα κολλάει στο προσάρτημα, υγράνετέ το με νερό.





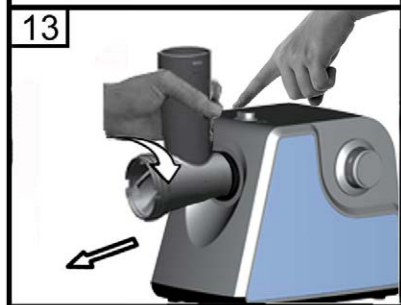
## ΣΥΝΤΗΡΗΣΗ ΚΑΙ ΚΑΘΑΡΙΣΜΟΣ

Καθαρίστε αμέσως μετά από κάθε χρήση.

Περιμένετε πάντα να σταματήσουν πλήρως όλα τα εξαρτήματα πριν την αποσυναρμολόγηση. Η συσκευή χρειάζεται περίπου 30 λεπτά για να κρυώσει αρκετά ώστε να μπορείτε να την πιάσετε και να την καθαρίσετε με ασφάλεια.

Μπορείτε να καθαρίσετε πρόχειρα το κρέας που έχει κολλήσει στο μηχάνημα κοπής αλέθοντας ένα στρογγυλό ψωμάκι ή μια φέτα ψωμί. **Να είστε ιδιαίτερα προσεκτικοί κατά τον καθαρισμό, καθώς οι λεπίδες είναι πολύ κοφτερές.**

1. Πριν καθαρίσετε το προϊόν, απενεργοποιήστε το και αποσυνδέστε το από το ρεύμα.
2. Ξεβιδώστε τον δακτύλιο ασφάλισης και αφαιρέστε όλα τα εξαρτήματα του μηχανήματος (Εικ. 12).
3. Πατήστε το κουμπί κλειδώματος, περιστρέψτε το μηχάνημα προς την κατεύθυνση του βέλους και αποσυνδέστε το από το σώμα του μηχανήματος κοπής. Αφαιρέστε το εξάρτημα πίεσης και το μπολ κρέατος. (Εικ. 13)
4. Πλύνετε τη συσκευή και όλα τα αξεσουάρ (εξάρτημα πίεσης, μπολ κρέατος, κοχλίας μεταφοράς, λεπίδες, διάτρητες πλάκες, διαχωριστές και προσαρτήματα, καθώς και τον δακτύλιο ασφάλισης) σε ζεστό νερό με απορρυπαντικό.
5. Ξεπλύνετε με καθαρό ζεστό νερό και στεγνώστε αμέσως.
6. Συνιστάται η επάλειψη του εσωτερικού του μηχανήματος κοπής και των διάτρητων πλακών με βρώσιμο λάδι.



**Σημείωση:** Μην βάλετε κανένα εξάρτημα ή αξεσουάρ της συσκευής στο πλυντήριο πιάτων.

Μετά τη χρήση, σκουπίστε το σώμα της συσκευής με υγρό πανί και κατόπιν στεγνώστε το επιμελώς με στεγνό πανί. Προστατέψτε τη συσκευή από νερό και υψηλά επίπεδα υγρασίας! Do not immerse in water! – Μην βυθίζετε σε νερό.

- Μην χρησιμοποιείτε διαλυτικό, βενζίνη ή άλλα «σκληρά» ή αποξεστικά καθαριστικά.
- Προφυλάξτε τη συσκευή από περιβάλλοντα με άμεσο ηλιακό φως και υγρασία.

## ΤΕΧΝΙΚΕΣ ΠΡΟΔΙΑΓΡΑΦΕΣ

Ονομαστική τάση: 220–240 V ~ 50-60 Hz

Ονομαστική είσοδος ισχύος: 300 W

## ΧΡΗΣΗ ΚΑΙ ΑΠΟΡΡΙΨΗ ΑΠΟΒΛΗΤΩΝ

Χαρτί περιτυλίγματος και αυλακωτό χαρτόνι – παραδώστε σε σημείο ανακύκλωσης. Μεμβράνη συσκευασίας, σακούλες PE, πλαστικά στοιχεία – πετάξτε σε κάδους ανακύκλωσης πλαστικών.

## ΑΠΟΡΡΙΨΗ ΠΡΟΪΟΝΤΩΝ ΣΤΟ ΤΕΛΟΣ ΤΗΣ ΖΩΗΣ ΤΟΥΣ

**Απόρριψη ηλεκτρικού και ηλεκτρονικού εξοπλισμού (ισχύει σε χώρες μέλη της ΕΕ και άλλες ευρωπαϊκές χώρες που εφαρμόζουν σύστημα ανακύκλωσης)**

Το απεικονιζόμενο σύμβολο στο προϊόν ή στη συσκευασία σημαίνει ότι το προϊόν δεν πρέπει να αντιμετωπίζεται ως σύνηθες οικιακό απόβλητο. Παραδώστε το προϊόν στο προβλεπόμενο σημείο για την ανακύκλωση ηλεκτρικού και ηλεκτρονικού εξοπλισμού. Αποτρέψτε τις αρνητικές επιπτώσεις στην ανθρώπινη υγεία και στο περιβάλλον ανακυκλώνοντας σωστά το προϊόν σας. Η ανακύκλωση συμβάλλει στη διατήρηση των φυσικών πόρων. Για περισσότερες πληροφορίες σχετικά με την ανακύκλωση αυτού του προϊόντος, επικοινωνήστε με τις τοπικές αρχές, τον τοπικό οργανισμό επεξεργασίας απορριμμάτων ή το κατάστημα από το οποίο αγοράσατε το προϊόν.



08/05

Αυτό το προϊόν συμμορφώνεται με τις απαιτήσεις της ΕΕ σχετικά με την ηλεκτρομαγνητική συμβατότητα και την ηλεκτρική ασφάλεια.



Το εγχειρίδιο χειρισμού είναι διαθέσιμο στην τοποθεσία Web [www.ecg-electro.eu](http://www.ecg-electro.eu).

Με την επιφύλαξη αλλαγών στο κείμενο και στις τεχνικές παραμέτρους.

## ІНСТРУКЦІЇ З ТЕХНІКИ БЕЗПЕКИ

**Уважно прочитайте та зберігайте для подальшого використання!**

**Увага:** Заходи та інструкції з техніки безпеки, які містяться у цьому керівництві, не включають всі умови та можливі ситуації. Користувач має розуміти, що здоровий глузд, увага та безпека є факторами, які не можуть бути інтегровані у товар. Тому, ці фактори мають бути забезпечені користувачем(ами), які використовують побутовий прилад. Ми не несемо відповідальності за пошкодження, отримані під час транспортування, через невірне використання, модифікації або налаштування будь-якої частини побутового приладу.

Перед використанням побутового приладу уважно прочитайте керівництво та вивчіть картинки. Зберігайте для подальшого використання. Для приладдя можуть бути додаткові інструкції з використання.

Для попередження ризику отримання електричного шоку необхідно завжди дотримуватися базових запобіжних заходів під час використання обладнання, включаючи наступне:

1. Переконайтеся, що напруга у розетці відповідає напрузі, яка вказана на етикетці побутового приладу, та що розетка правильно заземлена. Розетка має бути встановлена відповідно до електричних правил та норм у відповідності до EN.
2. Ніколи не використовуйте побутовий прилад з пошкодженим силовим кабелем. **Всі ремонтні роботи, включаючи заміну кабелю, мають виконуватися у професійному сервісному центрі! Не знімайте захисні кришки побутового приладу через ризик отримання електричного шоку!**
3. Слідкуйте, щоб силовий кабель не торкався гарячих поверхонь та не знаходився поблизу гострих кутів.
4. Захищайте побутовий прилад від безпосереднього контакту з водою та іншими рідинами для попередження можливого електричного шоку.
5. Не використовуйте побутовий прилад на вулиці та у вологих приміщеннях, та не торкайтеся силового кабелю або

побутового приладу вологими руками. Ризик отримання електричного шоку.

6. Не занурюйте двигун та силовий кабель у воду або інші рідини. Не споласкуйте під проточною водою. Сідкуйте, щоб у двигун не потрапила вода.
7. Будьте уважними при використанні побутового приладу поруч з дітьми.
8. Під час використання не залишайте побутовий прилад без уваги.
9. Ми не рекомендуємо залишати побутовий прилад з ввімкненим до розетки кабелем без уваги.
10. Перед проведенням технічного обслуговування, збірки / розбірки, зміни приладдя або коли побутовий прилад більше не використовується, вимкніть та від'єднайте його. Не витягайте силовий кабель з розетки, різко смикаючи за кабель. Від'єднайте силовий кабель від розетки, тримаючись за виделку.
11. Перед розборкою дочекайтеся доки охолонуть всі частини. Для безпечного пересування та очищення побутовий прилад має охолонути впродовж приблизно 30 хвилин.
12. Не використовуйте побутовий прилад поблизу джерела тепла, наприклад, пічі. Захищайте від прямих сонячних променів.
13. Не розміщуйте побутовий прилад на стіні або інших приладах. Залишайте щонайменше 10 см вільного простору ззаду на з боків та 10 см вільного простору над побутовим приладом.
14. Завжди використовуйте побутовий прилад на рівній та стійкій поверхні. Не розташовуйте предмети на побутовий прилад.
15. Перед першим використанням ми рекомендуємо промити всі частини, які контактують з продуктами харчування, див. розділ «Очищення та обслуговування».
16. Будьте особливо уважні під час роботи з ножами, особливо під час діставання та очищення, ножі дуже гострі та можуть нанести травму.
17. Перед початком роботи обережно затягніть блокуюче кільце на машині. Ніколи не перезатягуйте гайку!

18. Ніколи не накривайте побутовий прилад під час роботи та не використовуйте поблизу запальних матеріалів, як наприклад, фіранок, тощо.
19. Ніколи не проштовхуйте продукти харчування у побутовий прилад пальцями, кухонним приладдям або іншими предметами! Використовуйте лише штовхач, який йде у комплекті з побутовим приладом. Застосовуйте розумну силу. Занадто сильний тиск може призвести до пошкодження побутового приладу.
20. Не торкайтеся рухливих частин.
21. Довге волосся, вільний одяг або аксесуари та прикраси можуть потрапити у частини побутового приладу, що обертаються. **Переконайтеся, що волосся, одяг та аксесуари не знаходяться у небезпечній близькості до частин, що обертаються!**
22. Не вмикайте побутовий прилад без продуктів харчування (пустий)!
23. Подрібнюйте м'ясо без жил та кісток, порізане шматками розмірами приблизно 20 мм x 20 мм x 60 мм.
24. У разі заїдання м'ясорубки увімкніть роботу у зворотньому напрямку (REV). Це звільнить застрягле м'ясо у м'ясорубці, та поверніть нормальний режим роботи машини.
25. Очищуйте побутовий прилад негайно після кожного використання. Під час очищення протирайте корпус побутового приладу лише вологою серветкою. Не занурюйте у воду.
26. Використовуйте тільки аксесуари, які рекомендовані виробником. У іншому випадку існує ризик втрати гарантії.
27. Ніколи не залишайте побутовий прилад безперервно працювати довше 5 хвилин. Після 5 хвилин роботи залиште побутовий прилад охолонути впродовж приблизно 10 хвилин перед повторним використанням. Ніколи не залишайте побутовий прилад працювати загалом довше 30 хвилин.
28. Використовуйте побутовий прилад лише у відповідності до інструкцій, вказаних у цьому керівництві.
29. Прилад призначено для домашнього використання. Не призначено для комерційного використання.

30. Цей побутовий прилад призначено для переробки м'яса без кісток, жил та жиру. Не намагайтеся подрібнювати кістки, горіхи або інші тверді предмети.
31. Виробник не несе відповідальності за пошкодження, викликані невірним використанням цього побутового приладу.
32. Діти не повинні використовувати цей побутовий прилад. Тримайте побутовий прилад та джерело живлення в місці, недоступному для дітей. Побутовий прилад може використовуватися особами зі зниженими фізичними, чуттєвими або розумовими спроможностями, якщо вони знаходяться під наглядом або після отримання інструкцій щодо безпечного використання побутового приладу та розуміючи потенційні небезпеки. Діти не повинні гратися з побутовим приладом.

**Ризик пошкодження:** Побутовий прилад можна використовувати лише після верної та повної збірки.

**Do not immerse in water! - Не занурюйте у воду!**

**НЕБЕЗПЕКА для дітей:** Діти не повинні гратися з пакувальним матеріалом. Не дозволяйте дітям гратися з пластиковими коробками. Ризик удушення.



# ІНСТРУКЦІЇ З ЕКСПЛУАТАЦІЇ

## Перед першим використанням

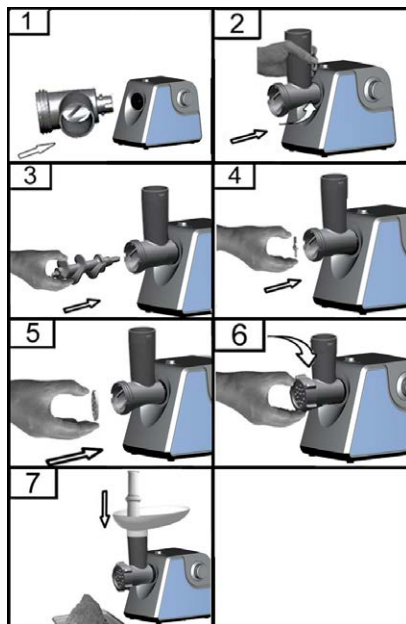
- Обережно розпакуйте побутовий прилад та зніміть увесь пакувальний матеріал та рекламні наліпки.
- Очистіть машину та приладдя, див. розділ «Очищення та обслуговування».
- Протріть корпус м'ясорубки м'якою серветкою або губкою.

**Попередження:** Ніколи не занурюйте корпус м'ясорубки або силовий кабель у рідину.

**Примітка:** Під час збірки м'ясорубки або зміни приладдя вимикайте та від'єднуйте побутовий прилад.

## Збірка

- Натисніть запобіжну кнопку та вставте машину у фланець (переконайтеся, що машина знаходиться під кутом, як показано на Мал. 1). Зафіксуйте машину у корпусі м'ясорубки, повернувши її вліво, див. Мал. 2.
- Вставте шнековий транспортер у машину так, щоб довгі вали знаходились у корпусі м'ясорубки (Мал. 3).
- Вставте ножі, що обертаються, на накінецьник гвинта лезами (плаский, гострий край), направленними як показано (Мал. 4). Якщо ви вставили невірною, м'ясо подрібнюватися не буде.
- Вставте у машину отвір обраного розміру. Переконайтеся, що він надійно вставлений у машину (Мал. 5).
- Тримайте пластину з отворами за центр та зафіксуйте у машині за допомогою блокуючого кільця (Мал. 6). Затягніть кільце за годинниковою стрілкою, не перетягуйте.
- Встановіть ємність для м'яса на трубу машини та зафіксуйте.
- Розмістіть м'ясорубку на відповідну поверхню.
- З кожної сторони м'ясорубки повинно залишатися 10 см вільного простору для доступу повітря.



## Приготування м'яса

Поріжте м'ясо шматками довжиною 10 см та товщиною близько 2 см. Видаліть кістки, хрящі, волосся та жили. (Ніколи не подрібнюйте заморожене м'ясо!)

Покладіть м'ясо у чашу м'ясорубки. За допомогою штовхача обережно проштовхуйте м'ясо у трубу м'ясорубки. (Для м'яса по-татарськи подрібнюйте м'ясо двічі.)

## Приготування кебабу

Кебаб - це традиційна страва Близького Сходу, яка в основному готується з подрібненого ягня та булгуру, сформованих у тефтелі. Ви можете наповнити кульки, сформовані м'ясорубкою, подрібненим м'ясом, закрити їх та смажити.

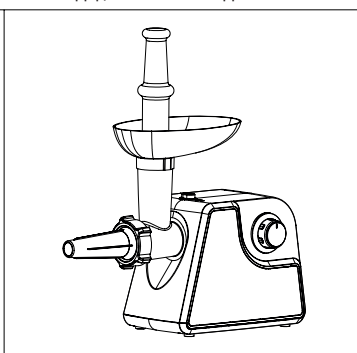
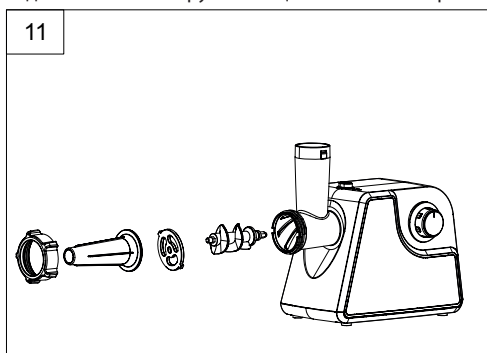
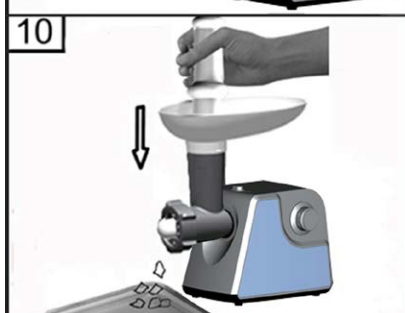
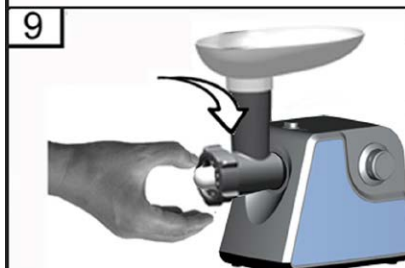
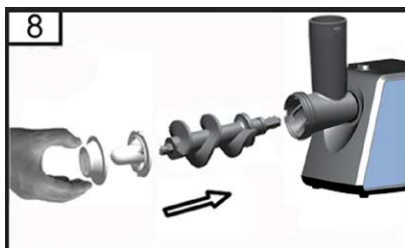
1. Вставте у машину шнековий транспортер (Мал. 8). На вал встановіть насадку для кебабу. Переконайтеся, що насадка вставлена у отвори на машині та затягніть блокуючим кільцем (Мал. 9).
2. Встановіть ємність для м'яса на трубу машини.
3. Побутовий прилад готовий для приготування кебабу (Мал. 10)

Обережно проштовхніть суміш булгуру у трубу машини за допомогою штовхача. Наповніть отримані пусті кульки сумішшю з подрібненого м'яса та розділіть, як потрібно.

## Приготування ковбасок

1. Подрібніть м'яса та приготуйте суміш для ковбасок. На вал встановіть розділювач. Переконайтеся, що насадка вставлена у отвори на машині, встановіть насадку для ковбасок та затягніть блокуючим кільцем (Мал. 11).
2. Встановіть ємність для м'яса на трубу машини.
3. Побутовий прилад готовий для приготування ковбасок. Покладіть суміш у ємність м'ясорубки. Обережно проштовхуйте суміш у трубу м'ясорубки за допомогою штовхача.

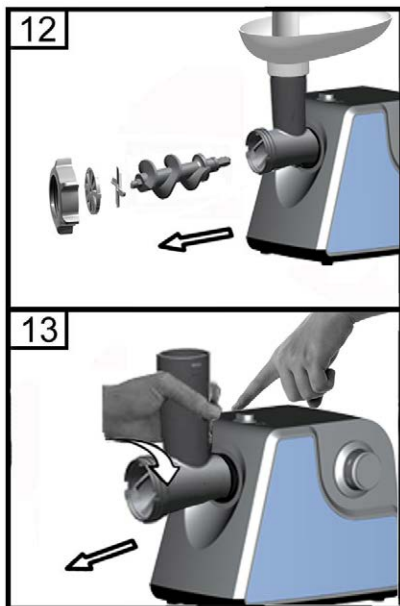
Замочуйте оболонку для ковбасок у теплій воді впродовж 10 хвилин. Потім вставте замочену оболонку на насадку для наповнення ковбасок. Закрийте оболонку за проштовхніть приготовану (зі спеціями) суміш за допомогою м'ясорубки. Якщо оболонка застрягла на насадці, змочіть її водою.



## ОБСЛУГОВУВАННЯ ТА ОЧИЩЕННЯ

Очищуйте негайно після використання.  
Перед розборкою дочекайтеся доки охолонуть всі частини.  
Для безпечного пересування та очищення побутовий прилад має охолонути впродовж приблизно 30 хвилин.  
Ви можете видалити м'ясо з м'ясорубки, подрібнивши булочку або шматок хліба. **Будьте уважні під час очищення, ножі дуже гострі.**

1. Перед очищенням приладу вимкніть та від'єднайте його.
2. Відкрутіть блокуюче кільце та дістаньте всі частини машини (Мал. 12).
3. Натисніть кнопку блокування, поверніть машину у напрямку, вказаному стрілкою, та від'єднайте від корпусу м'ясорубки. Зніміть штовхач та ємність для м'яса. (Мал. 13)
4. Промийте побутовий прилад та все приладдя (штовхач, ємність для м'яса, шнековий транспортер, ножі, платини з отворами, сепаратори та насадки, а також блокуюче кільце) у гарячій воді з миючим засобом.
5. Споласніть чистою гарячою водою та негайно висушіть.
6. Ми рекомендуємо змащувати внутрішню частину м'ясорубки та пластини харчовою олією.



**Примітка:** Не мийте частини або приладдя цього побутового приладу у посудомийній машині.

Після використання протріть корпус побутового приладу вологою серветкою та ретельно витріть сухою серветкою. Захищайте побутовий прилад від потрапляння води та від високої вологості! Не занурюйте у воду.

- Для очищення не використовуйте розріджувачі, пальне або інші агресивні або абразивні миючі речовини.
- Захищайте від прямих сонячних променів та вологого оточення.

## ТЕХНІЧНІ СПЕЦИФІКАЦІЇ

Номинальна напруга: 220-240 В ~ 50-60 Гц

Номинальна потужність на вході: 300 Вт

## ВИКОРИСТАННЯ ТА УТИЛІЗАЦІЯ ВІДХОДІВ

Пакувальний папір та гофрований картон - до смітника. Пакувальна фольга, ПЕ коробки, пластикові елементи - до контейнерів для переробки пластику.

## УТИЛІЗАЦІЯ ПРОДУКТІВ ПІСЛЯ ЗАВЕРШЕННЯ СТРОКУ ЕКСПЛУАТАЦІЇ

**Утилізуйте електричне та електронне обладнання (діє у країнах-членах ЄС та інших європейських країнах з впровадженою системою переробки)**

Представлений символ на продукті або упаковці означає, що продукт не повинен викидатися до побутового сміття. Продукт необхідно віднести до спеціального місця для переробки електричного та електронного обладнання. Вірна переробка продукту попереджує негативний вплив на здоров'я людей та екологію. Переробка вносить свій вклад до збереження природних ресурсів. Для отримання більш детальної інформації про переробку цього продукту зверніться до місцевих органів, організацій з переробки побутових відходів або до магазину, де ви придбали продукт.



08/05

Цей продукт відповідає директивам ЄС щодо електромагнітної сумісності та електробезпеки.

Керівництво користувача доступне у інтернеті за адресою [www.ecg-electro.eu](http://www.ecg-electro.eu).

Текст та технічні параметри можуть бути змінені.



# www.ecg-electro.eu

## Deutsch

K+B Progres, a.s./AG.  
Barbaraweg 2, DE-93413 Cham  
Bei Beschwerden rufen Sie die Telefonnummer  
09971/4000-6080 an. (Mo – Fr 9:00 – 16:00)

## Čeština

K+B Progres, a.s.  
U Expertu 91 tel.: +420 272 122 111  
250 69 Kličany e-mail: ECG@kbexpert.cz

## Eesti keel

K+B Progres, a.s.  
U Expertu 91 tel.: +420 272 122 111  
250 69 Kličany, Czech Rep. e-post: ECG@kbexpert.cz

## Hrvatski

K+B Progres, a.s.  
U Expertu 91 tel.: +420 272 122 111  
250 69 Kličany, Czech Rep. e-mail: informacije@kbprogres.cz

## Bosanski

K+B Progres, a.s.  
U Expertu 91 tel.: +420 272 122 111  
250 69 Kličany, Czech Rep. e-mail: informacije@kbprogres.cz

## Latviešu valoda

K+B Progres, a.s.  
U Expertu 91 tel.: +420 272 122 111  
250 69 Kličany, Czech Rep. e-pasts: ECG@kbexpert.cz

## Lietuvių kalba

K+B Progres, a.s.  
U Expertu 91 tel.: +420 272 122 111  
250 69 Kličany, Czech Rep. el. paštas: ECG@kbexpert.cz

## Magyar

K+B Progres, a.s.  
U Expertu 91 tel.: +420 272 122 111  
250 69 Kličany, Czech Rep. e-mail: ECG@kbexpert.cz

## Polski

K+B Progres, a.s.  
U Expertu 91 tel.: +420 272 122 111  
250 69 Kličany, Czech Rep. e-mail: ECG@kbexpert.cz

## Română

K+B Progres, a.s.  
U Expertu 91 tel.: +420 272 122 111  
250 69 Kličany, Czech Rep. e-mail: ECG@kbexpert.cz

## Slovenčina

Distribútor pre SR: K+B Progres, a. s., organizačná zložka  
Mlynské Nivy 71  
821 05 Bratislava e-mail: ECG@kbexpert.cz

## Slovenščina

K+B Progres, a.s.  
U Expertu 91 tel.: +420 272 122 111  
250 69 Kličany, Czech Rep. e-mail: informacije@kbprogres.cz

## Srpski

K+B Progres, a.s.  
U Expertu 91 tel.: +420 272 122 111  
250 69 Kličany, Czech Rep. e-pošta: informacije@kbprogres.cz

## Crnogorski

K+B Progres, a.s.  
U Expertu 91 tel.: +420 272 122 111  
250 69 Kličany, Czech Rep. e-pošta: informacije@kbprogres.cz

## Ελληνικά

K+B Progres, a.s. τηλ.: +420 272 122 111  
U Expertu 91 e-mail: ECG@kbexpert.cz  
250 69 Kličany, Δημοκρατία της Τσεχίας

## Українська мова

K+B Progres, a.s. tel.: +420 272 122 111  
U Expertu 91 e-mail: ECG@kbexpert.cz  
250 69 Kličany, Czech Rep.

■ The manufacturer takes no responsibility for printing errors contained in the product's user's manual. ■ Der Importeur haftet nicht für Druckfehler in der Bedienungsanleitung des Produkts. ■ Výrobce neručí za tiskové chyby obsažené v návodu k použití výrobku. ■ Tootja ei vastuta toote kasutusjuhendis leiduvate trükkivigade eest. ■ Proizvođač ne snosi odgovornost za tiskarske greške u uputama. ■ Ražotajs neuzņemas atbildību par drukas kļūdām ierīces rokasgrāmatā. ■ Gamintojas neapsiima atsakomybės dėl spausdinimo klaidų, pasitaikančių gaminio naudotojo vadove. ■ A gyártó nem felel a termék használati útmutatójában fellelhető nyomdahibákért. ■ Producent nie ponosi odpowiedzialności za błędy drukarskie w instrukcji obsługi produktu. ■ Producătorul nu își asumă nicio responsabilitate pentru erorile de imprimare conținute în manualul utilizatorului produsului. ■ Dovožca neručí za tlačové chyby obsiahnuté v návode na použitie výrobku. ■ Proizvajalec ne jamči za morebitne tiskovne napake v navodilih za uporabo izdelka. ■ Proizvođač ne preuzima nikakvu odgovornost za štamparske greške sadržane u uputstvu za upotrebu proizvođača. ■ Ο κατασκευαστής δεν φέρει καμία ευθύνη για τα τυπογραφικά σφάλματα που περιέχονται στο εγχειρίδιο χρήστη του προϊόντος. ■ Виробник не несе відповідальності за помилки друку, що містяться в посібнику користувача продукту.