

# 32HSL231M

---

**SMART TV**  
INSTRUCTION MANUAL

**SMART TV**  
BEDIENUNGSANLEITUNG

- Always read the safety&use instructions carefully before using your appliance for the first time. The user's manual must be always included.
- Bitte lesen Sie vor der Inbetriebnahme des Produktes diese Anleitung und die darin enthaltenen Sicherheitshinweise aufmerksam durch. Die Bedienungsanleitung muss dem Gerät immer beigelegt sein.



# SAFETY INSTRUCTIONS

## Read carefully and save for future use!

**Warning:** The safety measures and instructions, contained in this manual, do not include all conditions and situations possible. The user must understand that common sense, caution and care are factors that cannot be integrated into any product. Therefore, these factors shall be ensured by the user/s using and operating this appliance. We are not liable for damages caused during shipping, by incorrect use, voltage fluctuation or the modification or adjustment of any part of the appliance. To protect against a risk of fire or electric shock, basic precautions shall be taken while using electrical appliances, including the following:

1. Be very careful when unpacking the device. In particular, protect the screen of the device. It is very easy to get damaged.
2. Read all of the instructions carefully.
3. Keep the instructions for future reference.
4. Pay attention to warnings found in the manual.
5. Follow all instructions.
6. Do not use the device close to water.
7. Clean only with dry cloth.
8. Do not block exhaust vents. Place the device according to the manufacturer's instructions.
9. Do not place the device near heating sources, such as radiators, heating units, stoves, or other appliances (including amplifiers) producing heat. Do not install the appliance near an open flame (for example, candles). Under no circumstances should an open flame (e.g. a burning candle) be placed on the product. Also, do not place hot objects or objects with open flames on or near the unit. High temperatures can melt plastic parts and cause fires.
10. Connect the appliance only to proper and maintained wiring. Make sure that the voltage and frequency of your outlet match the voltage, frequency, and load rating listed on the equipment label and that the outlet is properly grounded. The outlet must be installed in accordance with applicable electrical codes according to EN.
11. Protect the power cable from damage. Do not step on it or bend it.
12. The power cord and plug must be protected. Care must be taken to ensure that no object is placed on the power cable that may damage the cable insulation.
13. Use only accessories and optional accessories recommended by the manufacturer.
14. Disconnect the appliance from the mains in the event of thunderstorms or other atmospheric phenomena. that you will not be using the appliance for an extended period of time or before servicing, unplug the power cord from the power outlet. Disconnect the power cord by pulling the plug – never by pulling the power cord.
15. Refer to qualified service workers for all necessary repairs and in the event of a fault. Never tamper with the device and do not perform any technical interventions.
16. The device requires service if it is damaged in any way. If the power cord or its plug is damaged, liquid or a foreign object has entered the power cord. If it has been exposed to rain or moisture, it has been dropped or is not functioning normally.
17. The socket to which the TV is connected must be easily accessible at all times. Place the plug of the power cord of the device directly into a separate socket. Do not use splitters or extension leads. When unplugging, hold the plug, not the power cord
18. Respect the ecological disposal of batteries.
19. The appliance is designed for operation exclusively indoors and in temperate climates.
20. Do not place any objects filled with liquid on the device, e.g. a vase with flowers.
21. Electric discharge can lead to faults. Functionality can be manually restored by switching the appliance off and on again.
22. This appliance may be used by children over 8 years of age and persons with limited physical and mental abilities and persons without experience and knowledge of the appliance, provided that supervision and/or instruction is provided with regard to the use of the appliance in a safe manner so that the hazards

associated with its use are understood. Children must not play with this appliance. Children cannot clean or otherwise maintain the appliance without supervision.

23. **DANGER TO CHILDREN:** Children may not play with the packaging material. Do not let children play with the plastic bags. Risk of suffocation.
24. This television receiver uses high voltage for operation. Do not remove the back cover of the device. Refer to qualified service workers for all necessary repairs.



#### **Warning**

Do not expose the appliance to rain or moisture. Do not immerse it in any liquid. There is a risk of electric shock.

#### **Do not expose the appliance to rain or moisture. Risk of fire or electric shock.**

- Protect the device from drops, shocks, impacts and vibrations. Further from dust and moisture.
- Prevent foreign objects entering the ventilation holes of the device. Protect the TV from spilling any liquids.
- Never insert objects into the air vents of the device. This could cause a short circuit, electric shock or other damage. Also, do not pour any liquid into the device.
- If the unit is powered by an adapter, use only the supplied adapter.

#### **Attention**

Make sure that the power cord does not get caught under the TV.

Do not lean against the TV, tilt or push the device. Pay close attention to the presence of children. A falling device could cause serious injury.

Do not place the TV on unstable carts, stands, shelves or tables. A fall could damage the device or cause injury. Place the TV on a flat and stable surface.

Do not cover the ventilation holes on the back cover of the device. Sufficient ventilation is necessary for the proper functioning of electrical components.

When installing and operating the appliance, leave a clear space on all sides, which is necessary for proper air circulation. During operation, heat is generated and dissipated in this way. Under no circumstances operate the appliance in closed bookcases or shelves. Do not install it in direct sunlight or any place where heat is generated (radiators, stoves, heat exchangers, etc.).

Leave enough space around the appliance to prevent it from overheating (for example, when placed in a living room wall or other enclosed space). There is a risk of overheating of the TV, which can cause damage to the appliance or a fire.

- Unplug the device from the outlet before cleaning.
- Clean the product only with a dry cloth.
- Do not use solvents, thinners, abrasive cleaners or wire cloths for cleaning.

#### **Remote control and battery**



#### **Warning**

Protect the batteries from exposure to high temperatures. Do not expose them to direct fire or sunlight.

- Do not expose the remote control or batteries to direct sunlight.
- The remote control and battery must not be exposed to running or dripping water. Use the remote control indoors only.
- Insert the batteries into the controller in the correct direction (polarity). Improper insertion of the batteries may cause damage to the remote control or electrolyte leakage.
- Do not charge, heat, open or short-circuit the batteries.
- Do not throw batteries into the fire.
- Do not leave dead batteries in the remote control.
- If you do not use the remote control for a long time, remove the batteries.
- Do not combine different types of batteries. Always use only one type. Also, do not combine old and new batteries.

- If electrolyte leaks from the batteries into the remote control, stop using it and contact the relevant service centre.
- If the remote control does not work properly (performance decreases), replace the batteries with new ones.
- Small batteries can pose a risk of ingestion by children. Also, do not allow children to play with packaging material. Risk of suffocation.

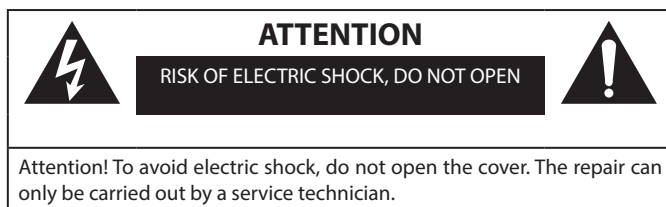
### When using headphones

To prevent possible hearing damage, avoid prolonged listening at high volume. Excessive sound pressure from earphones can cause hearing damage.

### Caution for wall mounting

- Before mounting the TV on the wall, read the instructions supplied with the bracket.
- Wall mounting kit is optional. If it is not included with your TV, you can get it from your local dealer.
- Do not install the TV on the ceiling or on a sloping wall.
- Use the included wall mounting screws and other accessories supplied with the bracket.
- Tighten the screws properly to prevent the TV from falling, but do not overtighten them.

## SYMBOLS AND WARNINGS ON THE PRODUCT



The lightning flash with arrowhead symbol, within an equilateral triangle, is intended to alert the user to the presence of uninsulated "dangerous voltage" within the product that may be of sufficiently high to constitute a risk of electric shock to persons.



An exclamation mark within an equilateral triangle is intended to alert the user to the presence of important operating and maintenance (servicing) instructions in the literature enclosed with the appliance.



This symbol means that the device is in the second protection class, with double insulation between dangerous mains voltage and user-accessible parts. Only use identical spare parts when performing service work.



Class 1 laser product: This product contains a Class 1 laser source that is safe under reasonably foreseeable operating conditions.

## WARNING

Never place the TV in an unstable place. The TV can fall and cause serious injury or death. Many injuries, especially to children, can be prevented by simple measures such as:

1. Use the cabinets or stands recommended by the TV manufacturer.
2. Only use furniture that can safely support the TV.
3. Make sure that the TV does not extend over the edge of the furniture on which it is placed.
4. Do not place the TV on tall furniture (such as cabinets or bookcases) without anchoring the furniture and the TV to a suitable support.
5. Do not place the TV on fabric or other materials that would come between the TV and furniture.

6. Teach children about the dangers of climbing on furniture to reach the TV or its controls. If you are keeping your existing TV and moving it, the same principles should be followed.

**The pictures and illustrations in this manual are for informational purposes only and may differ from the actual appearance of the product. Product design and specifications are subject to change without notice.**

## Environmental information

This TV receiver has been designed to be environmentally friendly. To reduce energy consumption, follow these steps:

If you set **Power Saver** to **Minimum, Medium, Maximum** or **Auto**, the TV will reduce power consumption accordingly. To set the **Backlight** to a fixed value, set it as **Custom** and set the **Backlight** (located under the **Power Saver** setting) manually using the left or right button on the remote control. To disable this setting, set it to **Off**.

**Note:** The available Power Saver options may vary depending on the **Mode** selected in Settings > Picture.

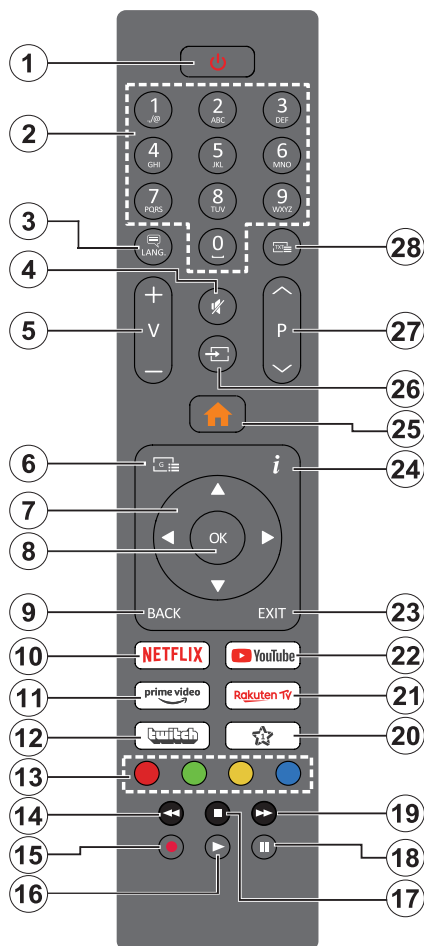
You can find the **Energy Saver** settings in **Settings > Picture**. Some image settings cannot be changed.

If you press the Right or Left button, the message "The screen will turn off in 15 seconds" will appear on the screen. Select **Continue** and press **OK** to turn off the screen immediately. If no button is pressed, the display will turn off after 15 seconds. To switch the picture back on, press any button on the remote control or TV.

**Note:** The Screen Off option is not available when Game mode is set.

When the TV is not in use, switch it off or unplug it from the mains. This will also reduce energy consumption.

## REMOTE CONTROLLER



1. **Standby mode(\*)**: Standby / On (short press), Reset / Off (press and hold)
2. **Number pad**: Switches the channel, enters a number or letter in the text field on the screen.
3. **Language**: Switches between audio modes (analog TV), displays and changes audio/subtitle language, and turns subtitles on and off (digital TV, if available)
4. **Mute**: Turns off the TV sound completely
5. **Volume +/-**
6. **Guide**: Displays the electronic program guide
7. **Arrow buttons**: Helps you navigate through menus, content, etc. and when you press the Right or Left button in TXT mode, subpages are displayed.
8. **OK**: Confirms user selections, holds pages (in TXT mode), displays the Channels menu (DTV mode).
9. **BACK**: Returns to previous screen, previous menu, opens indexing page (in TXT mode). Quickly cycles between previous and current programs or sources.
10. **Netflix**: Launches the Netflix app
11. **Prime Video**: Launches the Amazon Prime Video app
12. **Twitch**: Launches the Twitch app.
13. **Color buttons**: Follow the on-screen instructions for the colour button functions
14. **Rewind**: Moves the image backwards in media such as movies
15. Without function
16. **Play**: Starts playback of the selected media
17. **Stop**: Stops media playback
18. **Pause**: Pauses media playback
19. **Fast-forward**: Moves the image backwards in media such as movies
20. **My Button 1 (\*\*)**
21. **Rakuten TV**: Launches the Rakuten TV app
22. **YouTube**: Launches the YouTube app
23. **Leave**: Closes and exits the displayed menus and returns to the previous screen
24. **Info**: Displays information about the content on the screen, displays hidden information (reveal - in TXT mode)
25. **Menu**: Displays the TV menu
26. **Source**: Shows all available broadcasts and content sources
27. **Programme +/-**
28. **Text**: Displays teletext (if available), press again to display teletext over normal broadcast picture (mix)

### (\*) Standby button

Press and hold the Standby button to view the other actions for that button. Highlight one of the **Reset** (Restart), **Standby** (Normal Standby), and **Shutdown** (Forced Standby) options and press **OK** to perform the selected action. If your TV stops responding to commands and the action menu cannot be displayed, the TV will restart if you hold the button down for about five seconds.

Press and release the button briefly to put the TV into standby mode or switch it on when it's in standby mode.

### (\*\*) **My Button 1:**

This button may have a different default function depending on the model. However, you can set the special functions of this button by holding the button for more than three seconds on the desired source, channel or application. A confirmation message will appear on the screen. Now My Button 1 is assigned to the selected function.

If you perform the First Installation again, My Button 1 will revert back to its original function.

## Switching on/off

### Turning on the TV

Connect the power cord to a power source such as a power outlet (100-240V AC, 50/60 Hz).

You can choose one of the following options to switch on your TV from standby mode:

- Press the **Standby, Program +/-** or number button on the remote control.
- Press the control button on the TV.

### Turning off the TV

Press the **Standby** button on the remote control.

Press the control button on the TV to display the function selection menu. Sharpening will be on the standby options. Hold the button for 2 seconds to activate this option. The colour of the options icon will change. Then press the button again and the TV will switch to standby mode.

**To turn off the TV completely, unplug the power cord from the power outlet.**

**Note:** If the TV is switched to standby mode, the standby LED may flash. This indicates that features such as Standby Search, Download, or Timer are active. The LED may also flash when you switch the TV from standby mode.

## FEATURES

- Remote control colour TV
- Fully integrated digital/cable/satellite TV (DVB-T-T2/C/S-S2)
- HDMI input for connecting other devices with HDMI output
- USB IN
- OSD menu system
- Rear AV inputs for external devices (such as VHS player, video games, audio set, etc.).
- Stereo sound system
- Teletext
- Connection for headphones
- Automatic programming system
- Manual tuning
- Automatic shutdown after eight hours.
- Sleep timer
- Child lock
- Automatic muting when there is no transmission.
- NTSC Playback
- AVL (Automatic Volume Limiting)
- PLL (Frequency search)
- PC in
- Game mode (optional)
- Hotel mode
- Features Turn off image
- 802.11 a/b/g/n built-in WLAN support
- Audio and Video Sharing



- HbbTV

## High Dynamic Range (HDR) / Hybrid Log-Gamma (HLG)

With this feature, the TV can reproduce a greater dynamic range of luminance by capturing and then combining several different exposures. HDR/HLG promises better image quality with brighter, more realistic highlights, more realistic colours and other improvements. It delivers the look that the filmmakers were trying to achieve, allowing hidden areas of dark shadows and sunlight to come through with full clarity, color and detail. HDR/HLG content is supported via native and portal applications, HDMI, USB inputs and via DVB-S broadcasting.

### Included accessories

- Remote controller
- Batteries: 2 x AAA
- Operating manual
- DC 12V Input Power Adapter
- Car plug

### Emergency notifications

If the TV does not receive any signal (e.g. from an antenna or HDMI source) for 3 minutes, it will switch to standby mode. When the TV is switched on again, the following message appears: "The TV automatically switches to standby mode because it hasn't received any signal for a long time." You can disable this feature by setting the **No signal timer** option in **Settings > Devices** accordingly.

The **Automatic TV off** option (in **Settings > System > More**) can be set to between 1 and 8 hours by default. If this setting is not set to Off and the TV has been left on and not operated after the set time has elapsed, it will switch to standby mode after the set time has elapsed. When the TV is switched on again, the following message appears: "The TV automatically switches to standby mode because no operation has been performed for a long time." A dialog box appears before the TV switches to standby mode. If you do not press any buttons, the TV will switch to standby mode after 5 minutes. To immediately put the TV into standby mode, highlight the **Yes** button and press **OK**. If you highlight **No** and press **OK**, the TV will remain active. You can also deactivate the **Auto Shutdown** feature in the dialog box. Mark **Disable** and press **OK**, the TV will remain active and the function will be cancelled. You can re-enable the feature by changing the settings for **Auto Power Off** in **Settings > System > More**.

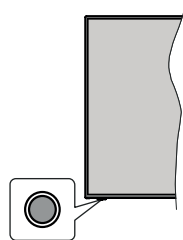
## CONTROL BUTTONS AND TV OPERATION

**Note:** The position of the control buttons may vary depending on the model.

Your TV has a single control button. This button allows you to control functions on the TV such as **Power/Source/Programs** and TV.

### One-button control

- Press the control button to display the function selection menu.
- Then press the button one at a time to focus on the option you need.
- Hold the button for 2 seconds to activate the selected option. The colour of the option icon will change when activated.
- Press the button again to use this function or to enter a submenu.
- To select a different function, you must first deactivate the last activated option.
- Press and hold the button to deactivate it. The colour of the option icon changes when you deactivate it.
- To close the function menu, do not press the button for approximately 5 seconds. The menu of feature options disappears.



**Turning off the TV:** Press the control button to display the function options menu, the focus will be in Standby mode. Hold the button for 2 seconds to activate this option. The colour of the option icon will change when activated. Press the button again to turn off the TV.

**Turning on the TV:** Press the control button and the TV will switch on.

**To change the volume:** Press the control button to display the function menu and then press the button to move the focus to Volume + or Volume -. Hold the button for 2 seconds to activate the selected option. The colour of the option icon will change when activated. Then press the button to increase or decrease the volume.

**To change channels:** Press the control button to display the function menu and then press the button to move the focus to Program + or Program -. Hold the button for 2 seconds to activate the selected option. The colour of the option icon will change when activated. Then press the button to switch to the next or previous channel in the channel list.

**To change the source:** Press the control button to display the function menu and then press the button to move the focus to **Source**. Hold the button for 2 seconds to activate this option. The colour of the option icon will change when activated. Then press the button again to display the list of resources. Scroll through the available resources by pressing the button. The TV will automatically switch to the highlighted source.

**Note:** The main OSD menu cannot be displayed via the control button.

## Remote control

Press the **Menu** button on the remote control to display the main menu screen. Use the directional buttons and the **OK** button to navigate and make settings. Press the **BACK** or **Menu** button to exit the screen menu.

## Input selection

If you have connected all external devices to your TV, you can switch to different input sources. Press the **Source** button on the remote control to select the source directly.

## Changing channels and volume

Use the **Volume +/-** and **Program +/-** buttons on the remote control to adjust the volume and change the channel.

## Reset and power off using the standby button

Press and hold the Standby button to view the other actions for that button. Reset (Restart), Standby (Normal Standby) and Shutdown (Forced Standby) options will be available. Highlight one and press **OK** to perform the selected action. If there is a problem that prevents the TV from switching to standby mode correctly, you can use the Power Off option to force the TV to switch to standby mode.

If your TV stops responding to commands and the action menu cannot be displayed, the TV will restart if you hold the button down for approximately 5 seconds. This will end the process.

## Using the TV Main Menu

When you press the **Menu** button, the main TV menu will appear on the screen. Use the directional buttons on the remote control to navigate the menu. To select a function or expand a side menu, highlight the tab and press the **OK** button. If you highlight one of the main menu options, a secondary menu may appear at the top of the screen to speed up access. To use Quick Access, highlight your choice, press **OK** and use the Left/Right directional buttons to set it. When you have finished, press the **OK** or **BACK** button to exit the menu.

You can also see location, weather, time and date information on the TV's main menu screen. Small green icons indicate the current status of time, network and app sync. If these icons appear in green, it means that the time information is updated, the network is connected and the synchronization is successfully completed. Otherwise, the icons will be displayed in white.

Depending on the country selection made during the initial installation, you can view the TV's lifetime information in hours by pressing the **Menu** button and then the Blue button. Due to the quality of our products, TVs are subjected to rigorous testing before they are released to the market, so it is possible that this value will not be zero when first installed.

Press the **Exit** button to close and exit the menu.

## My TV

When the main menu is open, the **My TV** menu bar will be highlighted. The content of **My TV** can be customised. Go to the TV menu, highlight **Edit home page** and press **OK**. The **My TV** menu switches to edit

mode. In edit mode, you can delete or reposition any item in the **My TV** menu. Highlight this function and press **OK**. Select **Delete** or **Scroll** and press **OK**. To move an item, use the directional buttons to select the direction you want to move the item and confirm with **OK**.

You can also add options from other menus to **My TV**. Simply highlight the option and press the directional Down button on the remote control. If you see **Add to My TV**, you can add this feature to the **My TV** menu.

## Search

Use this option to search for channels, guides, TV listings, apps, web, YouTube and videos. Press **OK** and enter the keyword using the virtual keyboard or the keypad on the remote control. Then highlight **OK** and press **OK** to start the search. The result will be displayed on the screen. Use the directional buttons to select the desired result and press **OK** to open it.

## TV

### Guide

Use this option to access the electronic programme guide. For more information, see the **Electronic Programme Guide**.

### Channels

Use this option to access the **Channels** menu. For more information, see **Using the channel list**.

### Timers

Use the options in this menu to set timers for future events. You can also revisit previously created timers in this menu. To add a new timer, select the Add Timer tab by pressing Left/Right and confirm **OK**. Set the side menu options as required and confirm **OK** to exit. A new timer will be created. To edit a previously created timer, highlight it, select the Edit Selected Timer tab, and confirm **OK**. Change the options in the side menu as required and confirm **OK** to save the settings.

To delete a previously created timer, highlight it, select the Delete Selected Timer tab and confirm **OK**. A confirmation dialog message appears. Highlight Yes and press **OK** to continue. The timer will be cancelled.

It is not possible to set timers for two or more programmes on individual channels broadcast at the same time interval. In this case, you will be asked to delete one of the timers. Highlight the timer you want to clear and confirm **OK**, the Options menu will appear. Then highlight Set/Delete and confirm **OK**, the timer will be deleted. You will then need to save your changes. To do this, press **OK**, highlight Save Changes and confirm **OK** again.

### Other applications

You can use this option to manage the apps installed on your TV. Highlight and press **OK**. You can add an installed app to **My TV**, launch it or delete it. Highlight the application and press **OK** to see the available options.

### Shop

Use this option to add new apps from the app market. Highlight and press **OK**. The available apps will be displayed. You can also access the App Market from the More Apps menu.

### Settings for the disabled

This option takes you directly to the access settings menu.

### Privacy settings

This option takes you directly to the privacy settings menu. This feature may not be available in the First Installation process depending on the TV model and country selected.

### Settings

Use the options in this menu to control your TV. For more information, see **Settings menu contents**.

Use the **Reset App** option to adjust your **My TV** customisation to the default values (availability depends on your TV model and features). Highlight and press **OK**. A confirmation dialog message appears. Highlight Yes and press **OK** to continue. Please note that you will not be able to perform this operation again within the next few minutes.

### Sources

You can manage input source preferences using the options on this menu. To change an existing source, highlight the one you wish to use and confirm **OK**.

### Settings Resources

This option takes you directly to the source settings menu. Here you can change names, enable or disable selected resources.

## Inserting battery in the remote control

The battery compartment cover can be secured against accidental opening. To unlock, insert a blunt, pointed object (e.g. a paper clip) into the hole above the cover and push it in. At the same time, slide the cover in the direction indicated by the arrow. Insert two 1.5 V AAA batteries. Make sure the (+) and (-) markings match (make sure the polarity is correct). Do not mix old and new batteries. Replace only with the same or equivalent type. Put the cover back on and secure it again with the screw.

A message will appear on the display if the batteries are almost dead and need to be replaced. Note that if the battery level is low, the performance of the remote control may be impaired.

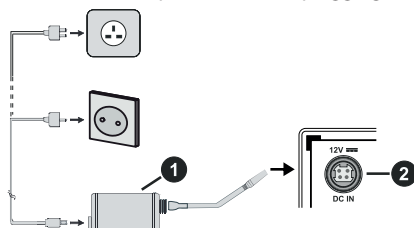
Batteries must not be exposed to excessive heat, such as sunlight, fire, etc.

## TV CONNECTION

### Plugging into outlet

**IMPORTANT:** The TV is designed to operate on 12 V DC. Therefore, an adapter is used that gives a voltage of 12 V. Connect this adapter to a mains supply that delivers 100-240V AC, 50/60Hz.

After unpacking, allow the TV to reach room temperature before plugging it in.



1. AC adapter
2. DC 12 V input terminal connection

### Important safety information

#### Ensure correct earthing of the wiring

Using the included power cord, connect the ground terminal of the AC adapter to the ground terminal of the power outlet. If the cable end cannot be inserted into the mains socket, consult an electrician about replacing your old socket.

Don't forget to connect the ground.



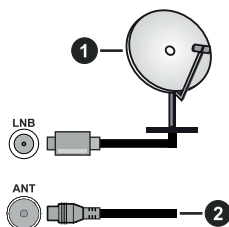
### Antenna connection

Connect the antenna or cable TV plug to the ANTENNA INPUT (ANT) jack or connect the satellite to the SATELLITE INPUT (LNB) jack on the front side of the TV.

#### The back of the TV

1. Satellite
2. Antenna or cable

**Warning:** To connect a device to the TV, make sure the TV and the device are switched off before making any connection. Once the connection has been made, you can switch on the units to use them.



## Wireless LAN Transmitter Features

Frequencies range	Maximum output power
2400 - 2483.5 MHz (CH1-CH13)	< 100 mW
5150 - 5250 MHz (CH36 - CH48)	< 200 mW
5250 - 5350 MHz (CH52 - CH64)	< 200 mW
5470 - 5725 MHz (CH100 - CH140)	< 200 mW









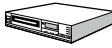









## Restrictions by country











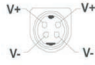
This instrument is intended for home and office use in all EU countries (and other countries using the relevant EU guidelines). The 5.15 - 5.35 GHz band is restricted to indoor use in EU countries.

Landscapes	Restrictions
Bulgaria	A general permit is required for outdoor uses and utilities
Italy	If it is used outside its own premises, a general permit is required. Public use is subject to the general authorisation of the relevant service provider.
Greece	Indoor use only for the band from 5470 MHz to 5725 MHz
Luxembourg	A general authorisation is required for the supply of network and services (not spectrum)
Norway	Radio transmission is prohibited for geographical areas within a 20 km radius of the centre of Ny-Alesund
Russian Federation	For indoor use only
Israel	5 GHz band only for the 5180 MHz - 5320 MHz range

The requirements for any country can be changed at any time. It is recommended that the user check with local authorities for the current status of national regulations for 5 GHz wireless LANs.

## Available connectors

Connection	Type	Cables	Facilities
	VGA connection (rear)		
	PC/YPbPr audio connection (rear)	 YPbPr/PC Audio Cable	
	HDMI connection (side and rear)		
SPDIF 	SPDIF (Coaxial output, rear)		
	Rear AV (Audio/Video) connector		
	Headphone jack (side)		

Connection	Type	Cables	Facilities
	YPbPr video connector (rear)	 PC to YPbPr Connection Cable	
	USB connector (side)		
	CI connector (side)		
	12V DC connection (rear)	DC 12V Input	

You can use a YPbPr to VGA cable to connect the YPbPr signal through the VGA input. VGA and YPbPr cannot be used together. To enable PC/YPbPr audio, use the rear audio inputs with the YPbPr/PC audio cable to connect the audio. When using the wall mounting kit (available from external dealers if not included), we recommend that you connect all cables to the back of the TV before wall mounting. Insert or remove the CI unit only when the TV is OFF. You should refer to the module's instruction manual for setup details. Each USB input on the TV supports devices up to 500mA. Connecting devices above 500mA can damage your TV. When connecting your device to your TV using an HDMI cable that provides sufficient parasitic RF immunity, you will need to use a shielded HDMI cable with a ferity (quality) HDMI cable.

**WARNING:** To connect a device to the TV, make sure the TV and the device are switched off before making any connection. Once the connection is made, you can switch on the units and use them

## INSTALLATION AND SETUP

### First time installation

The first time you turn it on, the Selection screen appears. Select the desired language and press **OK**. In the following steps of the installation wizard, use the directional buttons and the **OK** button to set your preferences. After selecting the language, you will be asked if you want to change the access settings. Highlight **Yes** and press **OK** to change. For detailed information about the available options, see System menu contents. On the next screen, set your country preferences. Depending on your Country settings, you may be prompted to set and confirm your PIN at this time. The PIN code selected cannot be 0000. You will need to enter it later whenever you are prompted for your PIN during menu operations.

**Note:** The type of M7 operator (digital satellite service provider) will be defined in accordance with the Language and Country selection you made during Initial Installation.

At this point, you can activate **Store Mode**. This option configures your TV's storage settings and will be used depending on the TV model on which the supported features may appear as an information banner at the top side of the screen. This option is for in-store display purposes only. For home use, it is recommended to select Home Mode. This option will be available in **Settings > System > More**, and you can change your preferences for this setting later. Specify your choice and press **OK** to continue.

The image mode selection screen appears. If you want your TV to use less energy and be more environmentally friendly, select **Natural** and press **OK** to continue. You can change your selection later using the Mode option in **Settings > Picture**.

At this point, depending on your TV model, you may see the Privacy Settings menu. Use this menu to set your permissions. Highlight a feature and press **OK** to turn it on or off. Before making any changes, carefully read the relevant on-screen explanation for each highlighted function. Press the Right directional button to highlight the text and use the Program +/- or Up/Down directional buttons to scroll up and down to read

the full text. You will be able to change your preferences at any time later in **Settings > System > Privacy > Privacy settings**. If **Internet Connection** is disabled, the Network/Internet Settings screen is skipped and does not appear.

Highlight the **Next** button and press the **OK** button on the remote control to continue. The **Network/Internet Settings** menu will appear on the screen. To configure the network connection, see Connection. If you want your TV to consume less power in standby mode, you can turn off the **Network Standby** feature by setting it to Off. When you have finished setting up, highlight the Next button and press **OK** to continue.

On the next screen, you can set the types of broadcasts to search, encrypted channel search and time zone preferences (depending on the country selected). In addition, you can set the type of broadcast as your favorite. During the search, the selected broadcast type will take precedence and the channels will be listed at the top of the Channel List. When you're done, highlight the Next button and press **OK** to continue.

## About the choice of the type of broadcast

To start searching for a certain type of broadcast, highlight it and press **OK**. The check box for the selected option is selected. To turn off the search option, uncheck the box by pressing the **OK** button after moving your attention to the desired broadcast type option.

**Digital Antenna:** If the search option D is enabled. Antenna Broadcast, the TV will search for digital terrestrial broadcasts after completing other initial settings.

**Digital Cable:** If the search option D is enabled. Cable, after completing the other initial settings, the TV will search for digital cable. Before you start the search, a message asks if you want to search the wired network. If you select Yes and press **OK**, you can select Network or set values such as Frequency, Network ID and Search Step on the following screen. If you select No and press **OK**, you will be able to set the Start Frequency, Stop Frequency and Search Step on the following screen. When you're done, highlight the Next button and press **OK** to continue.

**Note:** The search time varies according to the selected Search Steps.

**Satellite:** If the Satellite search option is enabled, the TV will search for satellite digital broadcasts after completing the other initial settings. Before performing a satellite search, you must make some settings. A menu will appear where you can choose to start the M7 operator installation or the standard installation. To start an M7 operator installation, set the Installation Type as Operator and the Satellite Operator as the appropriate M7 operator. Then highlight the Scan Preferences option and set as Auto Channel Tuning and press **OK** to start the automatic search. These options can be pre-selected depending on the Language and Country options you selected in the previous steps of the Initial Installation process. You may be prompted to select the HD/SD list or channel list by country, depending on your M7 operator type. Choose one of them and press **OK** to continue.

Wait for the scan to finish. Now the list is installed.

During the M7 operator installation procedure, if you want to use satellite installation parameters that differ from the default settings, select Preferred Scan as Manual Program Search and press **OK** to continue. The Antenna Type will then be displayed. After selecting the antenna type and the desired satellite in the following steps, press the **OK** button to change the installation parameter of the satellite in the inserted menu.

To search for other channels, such as M7 channels, you must run the standard installation. Select Installation Type as Standard and press **OK** to continue. The Antenna Type will then be displayed.

There are three options for antenna selection. You can select the antenna type as Direct, Simple Satellite Cable System or DiSEqC switch by using the Left or Right buttons. To view the subsequent options, after selecting your antenna, press **OK**. The Continue options will appear,

## Transponder List and LNB Configuration

Use the related menu options to change the transponder and LNB settings.

- **Right:** If you have a single receiver and a direct satellite dish, select this type of antenna. Press **OK** to continue. On the following screen, select an available satellite and press **OK** to search for services.
- **Simple satellite cable system:** Choose this type of antenna if you have multiple receivers and a simple satellite cable system. Press **OK** to continue. Configure the settings as instructed on the following screen. Press **OK** to search for services.

- **DiSEqC switch:** If you have multiple satellites and a DiSEqC switch, select this antenna type. Then set the DiSEqC version and continue by pressing the **OK** button. On the next screen you can set up to four satellites (if available) for v1.0 and sixteen satellites for v1.1. Press **OK** to scan the first satellite in the list.

**Analog:** If the Analog search option is enabled, the TV will search for Analog broadcasts after completing the other initial settings. Once the initial settings are complete, the TV will begin searching for available broadcasts of the selected broadcast types. During the search, the current results will be displayed at the bottom of the screen. Once all available stations have been saved, the Channels menu will appear. Here you can edit the channel list according to your preferences using the Edit tab options, or press the **Menu** button to exit and view the TV broadcast.

While the search is in progress, a message will appear asking if you want to sort channels by LCN\*. Select Yes and press **OK** to confirm.

\*LCN (Logical Channel Number) is a feature that allows channels to be automatically arranged according to their numbers in the order specified by the service provider

#### Notes:

- To search for M7 channels after the First Installation, you must perform the First Installation again. Or press the **Menu** button and enter **Settings > Setup > Automatic programme search > Satellite**. Then follow the same steps outlined above in the satellite section.
- Do not turn off the TV while the first installation is in progress. Note that some options may not be available depending on your choice of country.

## Media Playback via USB input

You can connect a 2.5" and 3.5" inch external hard drive (HDD with external power supply) or USB memory to the TV's side USB input.

**IMPORTANT!** Back up your files on the storage device before connecting it to your TV. The manufacturer is not responsible for any damage or loss of data. Some types of USB devices (e.g. MP3 players) or USB hard drives/memory cards may not be compatible with this TV. The TV supports FAT32 and NTFS disk format.

Wait a moment before each connection and disconnection, as the player may still be reading files. Failure to follow this instruction may cause physical damage to the USB player and USB device. Do not remove the USB memory while the file is playing.

USB hub can be used. Disks with external power supply are recommended. If you are connecting a USB hard drive, plug it in directly.

**Note:** When viewing image files, the Media Browser menu can only display 1000 images stored on the connected USB device.






## Media Browser

You can play music and movies and view photos stored on a USB drive by plugging it into your TV. Connect the USB drive to one of the USB inputs located on the side of the TV.

When you connect a USB storage device to your TV, the Sources bar will appear with USBx highlighted. Press **OK**, the Media Viewer menu will appear on the screen. Select the file of your choice, press **OK** to visualize or play it. You can access the contents of a connected USB device at any time later from the Sources menu. You can also press the **Source** button on the remote control and then select a USB storage device from the list of sources.

Use the **Settings** window to set Media Viewer preferences. The **Settings** menu can be accessed via the information bar that appears at the bottom of the screen when playing a video or audio file or viewing an image file. If the info bar disappears, press the **Info** button, highlight the gear symbol located on the right side of the info bar and press **OK**. Depending on the type of media file and the model of TV and its features, **Picture Settings**, **Audio Settings**, **Media Browser Settings** and **Options** may be available. The content of these menus may vary depending on the type of file you are currently opening. Only the **Audio Settings** menu will be available while audio files are playing.



Operation in loop/mixed	
Start playback and activate 	All files in the list are played once in their original order
Start playback and activate 	The same file will play continuously (it will repeat)
Start playback and activate 	All files in the list are played once in random order
Start playback and activate  + 	All files in the list are played back once in the original order.

To use the functions in the information bar, highlight the function symbol and press **OK**. To change the function status, highlight the function symbol and press **OK** as many times as necessary. If the symbol is crossed out with a red cross, it means that the function is not available.

## FollowMe TV

With your mobile device, you can stream the latest broadcasts from your Smart TV using the FollowMe TV feature. Install the appropriate Smart Center app on your mobile device. Start the application. For more information on how to use this feature, see the instructions for the application you are using.

**Note:** Depending on the model, your TV may not support this feature. This app may not be compatible with all mobile devices. UHD (4K, Ultra HD) channels are not supported and both devices must be connected to the same network.

## CEC

This feature allows you to control CEC devices that are connected via HDMI port, using the TV remote control. First, set the CEC option in **Settings > Device to Enabled**. Press the **Source** button and select the HDMI input of the connected CEC device from the Source List menu. When a new CEC source device is connected, it will be listed in the source menu under its own name, not under the name of the connected HDMI port (such as DVD player, Recorder 1, etc.).

The remote control will automatically be able to perform basic functions when the connected HDMI source is selected. To stop operation and control the TV again using the remote control, press and hold the "0 - Zero" button on the remote control for 3 seconds. You can disable CEC by setting the appropriate option in **Settings > Devices**.

The TV supports the ARC (Audio Return Channel) function. This function is an audio link to replace other cables between the TV and the audio system (A/V receiver or speaker system).

When ARC is active, the TV will automatically mute all audio outputs other than the headphone jack and the volume buttons will be directed to the connected audio device. To activate ARC, set **Audio Output** in **Settings > Sound** as **HDMI ARC**.

**Note:** ARC is supported via HDMI2 input.

## Controlling the sound of a connected audio system

Allows for the Audio Amplifier/Receiver to be used with the TV. The volume can be controlled using the TV remote control. To activate this feature, set Audio Output in **Settings > Sound** as **HDMI ARC**. When HDMI ARC is selected, CEC is automatically set to Enabled if it is not already set. The TV speakers will be muted and the sound of the source you are watching will be broadcast from the connected sound system.

**Note:** The audio device must support System Audio Control.

## E-Manual - E-handbook

You will find instructions for the functions of your TV in the electronic manual.

To use the electronic manual, go to the **Settings** menu, select **Manual** and press **OK**. For quick access to the electronic manual, press the **Menu** button and then the **Information** button.

Use the directional buttons to select the desired category. Each category contains different topics. Select a topic and press **OK** to read the instructions. To close the E-Manual screen, press the **Exit** or **Menu** button.

**Note:** Depending on the model, your TV may not support this feature. The content of the E-Handbook may vary depending on the model.

## Contents of the Settings menu

Equipment offer	
<b>Virtual remote control</b>	Enables or disables the virtual driver function.
<b>Audio and Video Sharing</b>	This feature allows you to share files stored on your smartphone or tablet. If you have a compatible smartphone or tablet and have the necessary software installed on it, you can share/play photos on your TV. If you share the software, see the instructions for more information.
<b>Timer without signal</b>	If the TV does not receive any signal (e.g. from an antenna or HDMI source) for 3 minutes, it will switch to standby mode. You can enable or disable this feature by setting this option accordingly.
<b>CEC</b>	With this setting, you can enable or disable the CEC function completely. Use the Left or Right buttons to activate or deactivate the selected option.
<b>Automatic CEC switch-on</b>	This feature allows you to connect an HDMI-CEC compatible device to turn on the TV and automatically switch to its input source. Use the Left or Right buttons to activate or deactivate the selected option.

Picture menu		
<b>Mode</b>	The image mode can be changed to suit your needs. The picture mode can be set to one of the following options: Cinema, Game (optional), Sports, Dynamic and Natural.	
	<b>Contrast</b>	Adjusts the lightness and darkness of the image.
	<b>Brightness</b>	Adjusts the brightness of the screen.
	<b>Sharpness</b>	Adjusts the sharpness of the object displayed on the screen.
	<b>Colour</b>	Adjusts the colour.
<b>Save Power</b>	To set Energy Saver as Custom, Minimum, Medium, Maximum, Auto, Screen off or Off. <b>Note:</b> The available options may be inactive depending on the Mode selected.	
	<b>Rear backlight</b>	This setting controls the light level of the screen. The backlight function will be active if Power Saving is set to an option other than Custom.
<b>Image format</b>	Sets the desired image size format.	
	<b>Scrolling images</b>	This option varies depending on the Zoom Image setting Highlight and press <b>OK</b> , then use the directional buttons to move the image up or down.

Picture menu		
<b>PC position</b>	Only appears when the input source is set to VGA/PC.	
	<b>Automatic position</b>	If the image is not centered in VGA mode, use this option to automatically adjust the image position. Press the <b>OK</b> button to start the automatic settings.
	<b>Horizontal positions</b>	This feature places the image horizontally on the right or left side of the screen.
	<b>Vertical positions</b>	This function shifts the image vertically up or down.
	<b>Point clock frequency</b>	The Spot Clock setting adjusts the interference that appears as vertical bars in high-density presentations. For example, tables, paragraphs or text in a small font.
	<b>Phase</b>	Depending on the input source (computer, etc.), you may see a blurred or distorted image on the screen. You can use this feature and clean up the image by trial and error.
<b>Advanced Settings</b>	<b>Dynamic contrast</b>	The dynamic contrast ratio can be set to the desired value.
	<b>Colour temperature</b>	Sets the desired color temperature value. Cold, Normal, Warm and Custom options are available.
	<b>White point</b>	This setting will be available when the Color Temperature option is set to Custom. Increase the "warmth" or "coolness" of the image by pressing the left or right button.
	<b>Blue extension</b>	White Enhancement function, which makes the white colour cooler for a brighter image. Set to On to enable.
	<b>Micro Dimming</b>	Low, Medium, High and Off options are available. When Micro Dimming is active, the contrast for each defined zone is increased locally.
	<b>Noise reduction</b>	Low, Medium, High and Off options are available. If the signal is weak and the image is noisy, use the Noise Reduction setting.
	<b>Movie Mode</b>	Films are recorded at varying frame rates from normal television programmes. Turn this feature on when watching movies to better view fast-moving scenes.
	<b>Skin tone</b>	Skin tone can be set between -5 and 5.
	<b>Colour shift</b>	Sets the desired colour tone.
	<b>Colour settings</b>	Opens the Color Tuner settings. To set the Hue, Color, and Brightness values manually, set the Color Tuner to Enabled.
	<b>Gamut Mapping</b>	This option can be used to adjust the range of colours displayed on the TV screen. If set to On, the colors are set according to the source signal. When set to Off, the maximum colour capacity of the TV is used in the standard way (recommended option). <b>Note:</b> This option may not be available depending on the TV model and features.
	<b>Full HDMI</b>	This feature is visible while viewing from an HDMI source. You can use this function to enhance the blacks in the image.
<b>Reset</b>	Sets the picture to factory defaults (except in Game mode).	

Audio menu	
<b>Dolby Audio</b>	Smart, Movie, Music, Messaging and Off will be available. To turn it off, set it to Off. <b>Note:</b> Some items in the Sound menu will be greyed out and unavailable if it is set to an option other than Off.

Audio menu		
<b>Surround Sound</b>	Spatial mode can be turned On or Off.	
<b>Sound Output</b>	<p>Sets the audio output preset. TV, S/PDIF, HDMI ARC, Headphone Only and Lineout options will be available. There is no audio output except through the selected option and the headphone jack.</p> <p>If you connect an external amplifier to the TV using the headphone jack, you can select Lineout. If you have headphones connected to the TV, select Headphones only. Before using headphones, please make sure that this menu item is set to Headphones Only. If it is set to Lineout, the output from the headphone jack will be set to maximum and may damage your hearing.</p> <p>When HDMI ARC is selected, the CEC function is activated.</p> <p><b>Note:</b> Depending on the option you select, some items in the Sound menu will appear greyed out and will not be available.</p>	
<b>AVL (Automatic Volume Limiting)</b>	<p>Adjusts the sound to balance the output volume between programs.</p> <p>If the Dolby Audio menu item is set to an option other than Off the AVL setting options will be changed. Options such as Auto, Night, Normal and Off will be available. In Auto mode, the TV automatically switches to Normal or Night mode according to the current time information. If no time information is available, this function will always function as Normal. When the TV switches to Night mode after setting this option to Auto for the first time, an information bar appears on the screen.</p> <p>Please note that compared to Normal mode, Night mode provides more aggressive dynamic compression control that is suitable for quiet environments.</p>	
<b>Advanced Settings</b>	<b>Equalizer</b>	Selects the equalizer mode. User settings can only be changed in User mode.
	<b>Dynamic Bass</b>	Enables or disables Dynamic Bass.
	<b>Sound Mode</b>	You can select an audio mode (if the channel displayed supports it).
	<b>Digital audio output</b>	Sets the type of digital audio output.
	<b>Headphone volume</b>	<p>Adjusts the volume of the headphones. This option will not be available if the Audio Output option is not set to Lineout.</p> <p>Before using the headphones, make sure the volume of the headphones is set to a low level to avoid damaging your hearing.</p>
	<b>Balance</b>	Adjusts the sound balance. This function is activated when Audio Output is set to TV or Headphones Only. The Balance item adjusts the balance level of the TV and headphone speakers.
	<b>Reset</b>	Restores some audio settings to factory defaults.

Offer Network	
<b>Connection method</b>	Disable the network connection or set the connection type to Wireless device.
<b>Find wireless networks</b>	Start searching for wireless networks. This option is only available if the Network Type is set to Wireless Device.
<b>Disconnect</b>	To disconnect from the wireless network and delete the saved wireless network profile (if previously saved), highlight this option and press <b>OK</b> . This option will not be available if you are not connected to a wireless network. For more information, see Connecting.

<b>Press WPS on your router</b>	If your modem/router has the WPS function, you can connect to it directly using this function. Highlight this option and press the <b>OK</b> button. To connect, press the WPS button on your modem/router. This option is only available if the Network Type is set to Wireless Device.
<b>Connection speed test</b>	Start a speed test to check the connection bandwidth. When finished, the result will appear on the screen.
<b>Advanced Settings</b>	Change the IP and DNS configuration on your TV.
<b>Network standby mode</b>	You can enable or disable this feature by setting it to On or Off.

**Note:** For more information on the options for this offer, see Connecting.

<b>Installation menu</b>	
<b>Automatic program search (Retuning)</b>	Displays the auto-tuning options. Ground: Searches and stores DVB antenna stations. Wired: Searches and stores DVB cable stations. Analog: Searches for and stores analogue stations. Satellite: Searches for and stores satellite stations.
<b>Manual program search</b>	This option is used for direct program tuning.
<b>Scanning network channels</b>	Searches for linked channels in the broadcast system. Ground: He's looking for terrestrial channels. Wired: He's looking for channels on the cable network. Satellite: It's looking for satellite network channels.
<b>Tuning analogue reception</b>	You can use this setting to tune the analog channels. This feature is not available if you have no analog channels stored or if the channel you are currently watching is not an analog channel.
<b>Setting up satellite reception</b>	Displays the settings. List of satellites: Displays the available satellites. You can Add, Delete satellites or Edit satellite settings in the list. Antenna installation: You can change the satellite dish settings and/or start a new satellite scan.
<b>Installation Settings (Optional)</b>	Displays the installation settings menu. Standby Search mode (*): While in standby mode, the TV will search for new or missing channels. All new broadcasts found will be displayed. Dynamic channel update (*): If this option is set to Enabled, changes to the broadcast, such as frequency, channel name, subtitle language, etc., will be applied automatically during viewing. * Availability depends on the model.
<b>Home Transponder Settings (*)</b>	Use this menu to edit the main and backup parameters of the home transponder, including the PID of the relevant M7 operator used to download the channel list. Set your preferences and press the Green button to save your settings. Then start the M7 operator installation using the <b>Auto Channel Scan &gt; Satellite</b> menu. * This option will only be available if the M7 operator is installed.
<b>Delete service list</b>	Use this function to delete stored channels. This setting is only visible if the Country menu is set to Denmark, Sweden, Norway or Finland.
<b>Select an active network</b>	This setting allows you to choose whether broadcasts within the selected network should be listed in the channel list. This feature is only available for the country selection Norway.

<b>Signal information</b>	You can use this menu item to monitor signal related information such as signal level/quality, network name, etc. for available frequencies.
<b>First time installation</b>	Clears all saved channels and settings and restores the TV to factory settings.

<b>Offer System</b>	
<b>Settings for the disabled</b>	Displays the accessibility enhancement options for your TV.
	<b>High contrast</b> Increase the contrast of menu options and texts to make them easier to read. White text, Yellow text and Off options will be available.
	<b>Hearing impairment</b> Enables any special functions sent by the broadcast.
	<b>Audio Description</b> A spoken track will be played for blind and visually impaired viewers. Press the <b>OK</b> button to display all available options in the Audio Description menu. This feature is only available if the transmitter supports it.
	<b>Dialogue improvements</b> This feature provides additional audio processing options to enhance the dialog box. Low, Medium, High and Off options are available. Set according to your preferences. <b>Note:</b> This function only occurs when the input audio format is AC-4 and this effect is applied only to the TV's speaker output.
	<b>Spoken subtitles</b> Use this setting to select the default preference for spoken subtitles. If you want spoken subtitles to have a higher priority than normal subtitles, set this option to On. This option may not be available depending on the TV model and is only visible when the source is set to TV.
	<b>Zoom in</b> Allows you to use a combination of buttons to enlarge the screen. The On and Off options are available. Set to On to enable. Zoom support will be turned on or off by long pressing the number button 5. The first quadrant of the screen on the top left will be zoomed in. When zoom support is enabled, long press the number buttons 2, 4, 6, 8 to move the zoomed area up, left, right and down.
	<b>Minimap</b> The minimap is enabled and disabled by default. Activated when Zoom is enabled. This option will prevent the zoom function from displaying the minimap.
	<b>Click sound</b> This option sets the click sound for the keys in the TV menu. To enable it, set it to On.
<b>Highlight programmes using</b>	

Offer System	
	<p><b>[S] Subtitles</b> If this option is enabled and if any of the events in the electronic program guide have the "Subtitle" access service, these events will be highlighted in a different color.</p> <p><b>[SL] Sign language</b> If this option is enabled and if any of the events in the electronic program guide have the "Sign Language" access service, these events will be highlighted in a different color.</p> <p><b>[AD] Sound description</b> If this option is enabled and if any event of the electronic program guide has the "Audio Description" access service, these events will be highlighted in a different colour.</p>
<b>Language</b>	You can set a different language depending on the broadcast and country.
<b>Conditional Access</b>	Controls conditional access, if available.
<b>Personal data protection</b>	
	<p><b>Privacy settings</b> Manage your privacy permissions for Smart TV-related apps. Press the <b>OK</b> button to enter the menu and adjust to your preferences.</p> <p><b>View all cookies.</b> Displays all saved cookies.</p> <p><b>Delete all cookies</b> Deletes all stored cookies.</p> <p><b>Unfollow</b> This option allows you to set your preferences regarding the viewing behaviour of HbbTV services.</p>
<b>Parental control settings</b>	<p>To change the parental settings, enter the correct password. In this menu, you can easily set Menu Lock, Age Lock, Child Lock or Instructions. You can also use these options to set a new PIN or change the Default CICAM PIN.</p> <p>Note: Some options may not be available depending on the country selection during Initial Installation. The default PIN could be set to 0000 or 1234. If you have defined a PIN (required depending on country selection) during the First Installation, use the PIN you have defined.</p>
<b>Date/Time</b>	Sets the date and time.
<b>Sources</b>	Here you can change names, enable or disable selected resources.
<b>Netflix</b>	<p>If your TV supports this feature, you can view the ESN* number and deactivate Netflix.</p> <p>* The ESN number is a unique Netflix identification number created specifically to identify your TV.</p>
<b>Samba ACR</b>	<p>Samba Interactive TV supports recommendations and other applications by collecting data about your on-screen consumption of specific content and enhancing your viewing experience. Use this option to access the Samba Interactive TV settings menu, review the Samba TV Terms of Service, Privacy Policy and manage your advertising preferences, etc. An internet connection will be required to access the HTML-based settings. You can enable or disable interactive TV at any time in <b>Settings &gt; System &gt; Privacy &gt; Privacy settings</b> by ticking or unticking the checkbox next to the related items. This option may not be available depending on the country selected during the initial installation process, the TV model and its features.</p>

Offer System		
<b>Other settings</b>	This will show you more options for setting up your TV.	
	<b>Offer time limit</b>	Changes the time limit for displaying the menu screen.
	<b>LED control</b>	If set to OFF, the standby LED will not light when the TV is in standby mode.
	<b>Software update</b>	Ensures the latest firmware for your TV. Press OK to display the menu options.
	<b>Application version</b>	Displays the current version of the software.
	<b>Automatic shut off</b>	When not in use, sets the desired time to automatically switch the TV to standby mode. This option can be set from 1 to 8 hours in 1 hour increments. You can also disable this feature by setting it to Off.
	<b>Subtitle mode</b>	Using this feature you can choose which caption mode will be on screen (DVB caption / Teletext caption) if both are available. The default value is the DVB header. This feature is only available for the country selection Norway.
	<b>Biss key</b>	Biss is a satellite signal that is used by some broadcasters. If you need to specify Biss keys for broadcasting, you can use this setting. Highlight Biss Key and press OK to enter the key for the desired broadcast.
	<b>Shop mode</b>	Select this mode for in-store display purposes. When Store Mode is active, some functions may not be available in the TV menu. For some models, the Enabled with video option may also be available. If this option is set, the TV will switch to store mode and play the pre-installed video file.
	<b>Switch-on mode</b>	This setting adjusts the shutdown mode options. Last Status and Standby options are available.
	<b>OSS</b>	Displays license information for free software.
	<b>Restore default boot logo</b>	Restores the default boot logo. A confirmation dialog message appears. Select Yes and press OK. This option may not be available depending on your TV model and features.
	<b>Change the name assigned to the TV</b>	Use this option to change the device name that is used to identify your TV when the device is connected wirelessly to the TV. If you leave the device name blank, or if you perform the first installation, the default device name is restored.
	<b>Application priority</b>	You can set this option according to the priority between broadcast applications and CICAM AppMMI applications. If CICAM is loaded into the TV and there is a conflict between applications, priority is given to the selected application type.
<b>Information about the model</b>	Displays information such as model name, serial number, MAC address, etc.	

**Note:** Some features may not be available in the first installation depending on the TV model and country selected.



## TV OPERATION

### Controlling the channel list

TV arranges all stored stations in the Channel List. You can edit this channel list, set favourites or active stations using the options in the Channels menu. Press the **OK** button to open the Channel List menu. Use the options on the **Filter** and **Edit** tabs to filter the listed channels or make advanced changes to the current list. To view the available options, highlight the tab you wish to use and confirm **OK**.

To add the channel you're currently watching to **My TV**, highlight **Add to My TV** in the **Edit** tab of the **Channels** menu and press **OK**.

Note: The Move to Position, **Delete** and Edit Title commands in the TV>Channels>Edit menu are not available for channels that are broadcast by M7.

### Manage your Favourites list

You can create four different lists of your favourite channels. To open the Channels menu, go to TV>Channels or press **OK**. Highlight the **Edit** tab and confirm **OK**, the editing options will be displayed. Select Mark/Remark Channel. To select the appropriate channel, select it and confirm with **OK**. You can choose several options. You can also mark all channels in the list using the Mark/Remark Channel option. Then press the **BACK** button to return to the Edit menu options. Select Add/Remove Favourites and press **OK**. A list of favourite channels will be displayed. Set the desired list option to On. The selected channel(s) will be added to the list. In order to remove a channel or channels from the favourites list, follow the same steps and set the desired option in the list to Off.

To permanently filter the channels in the channel list according to your preferences, you can use the filter function in the Channels menu. For example, you can use the options on the Filter tab to set the favourite channels list to appear every time you open the channel list. The selected filtering options are displayed at the top of the Channels menu screen.

### Configuring Parental Settings

By selecting the Parental Protection menu, users can be prohibited from viewing certain programmes, channels and using menus. These settings can be found in **Settings > System > Parental control settings**. To view the locked parental control menu options, you must enter your PIN. After entering the correct PIN, the Parental menu will appear.

**OSD lock:** This setting enables or disables access to all menus or installation menus on the TV.

**Parental control:** If this option is set, the TV receives information about the accessibility of the broadcast programmes, if the programme is inappropriate for minors, it will disable access to the broadcast.

**Note:** If the Country option in the First Installation is set to France, Italy or Austria, the default value of Lock By Age will be set to 18.

**Child lock:** When this function is ON, the TV can only be operated with the remote control. In this case, the control buttons on the TV will not work.

**Internet lock:** If this option is set to ON, applications that use the Internet will be disabled. Set to OFF to release the app again.

**PIN settings:** Set a new PIN.

**Default CICAM PIN:** This option will be displayed as grey if no CI module is inserted in the CI slot of the TV. Use this option to change the default CI CAM PIN.

**TV PIN\*:** By enabling or disabling this option, you can enable or restrict certain M7 operator channels by sending PIN requests. These PIN requirements provide access to the control mechanisms of the respective channels. If this option is On, channels that broadcast PIN code requests cannot be accessed without entering the correct PIN code.

\* This option will only be available if the M7 operator is installed.

**Note:** The default PIN could be set to 0000 or 1234. If you have defined a PIN (required depending on country selection) during the First Installation, use the PIN you have defined. If you enter the PIN incorrectly five times in a row, the PIN will be blocked and you will not be able to enter a new PIN for 30 minutes. However, you can unblock PIN entry or reset the number of repeats by turning the TV off and on.

Some options may not be available depending on the model and/or country selection during Initial Installation.

## Hotel mode

Hotel mode is a special mode that restricts some of the TV's functions and controls. This allows customers to use the TV in places such as hotels, prisons and hospitals. Possible restrictions are as follows:

- The user cannot increase the volume beyond the set limit. Can set a fixed volume value.
- The user can enable direct volume control of the headphones.
- The customer can restrict the display of certain offers.
- The user cannot use the buttons on the TV.
- The customer can limit the choice of input source.
- The customer can limit the last state of the TV.
- Teletext can be turned off or on.
- NVRAM data (e.g. service list, user preferences, etc.) can be copied to or from the USB device.
- The customer can restrict the use of Pin8 settings.

To access the hotel menu, press the **Menu** and **7-9-3-5** buttons in turn.

## Hotel mode menu items

### Hotel mode

Set as "On" to activate hotel mode. In hotel mode, the channel list and settings menu are blocked.

### Pin 8

Set as "On" to allow the image mode to change according to Pin8.

### The last state

Set as "On" to start the TV in the same state as when it was switched off. If set to "Off", the TV will remain in standby mode when plugged in again.

### Deactivate buttons

Setting to "On." to disable the use of the buttons on the TV.

### Deactivate the driver

Set as "On" to prevent the use of the remote control. To turn this option off, repeat the steps to open the hotel menu. The remote control will operate in standby mode regardless of the setting of this item. If this item is set to "Restricted", only the volume up/down, program scroll, number buttons, directional buttons, OK button, mute button and standby button will be functional on the remote control.

### Default source

You can set the default source when you turn on the TV. Select the channel and/or source to start the next time you turn on the TV. The following options are available:

Auto: The TV will start with the last channel watched (if the TV was the last source) or the last source. TV: The TV will start with the channel you specify in the "Default Channel" menu item. Others: The TV will be started with the specified source (HDMI1 etc.).

### Default channel

You can specify the channel to be displayed the next time you turn on the TV (if "Default Source" is set to "TV").

### Volume control

Press the OK button to display the available options in the Volume Settings menu.

### Volume limit - TV

Set the maximum volume value that can be used.

### Volume limit - Headphones

Set the maximum headphone volume that can be used.

### Adjusting the volume when switching on

Set to "On." to enable the use of the startup volume values that are set in the Volume - TV and Volume - Headphones menu items. If this option is set to "Off", these menu items cannot be set.

## Volume - TV

Set the volume value when the TV starts up. This option cannot be set to a higher value than the value set in "Volume Limit - TV".

## Volume - Headphones

To set the volume value when the TV is switched on with headphones plugged in. This option cannot be set to a higher value than the value set in "Volume limit - Headphones".

### Set a fixed volume

Set to "On" to enable the fixed volume value that is set in the "Fixed volume value" menu item.

### Fixed volume value

Set a fixed volume value. This option cannot be set to a higher value than the value set in "Volume Limit - TV".

### Direct headphone volume

Set as "Activated" to control the volume of the headphones using the remote control. When this function is enabled, the volume control buttons will not change the main sound of the TV. You can change the TV sound using the left/right directional buttons on the remote control.

**Note:** If one of the **Volume - TV** and **Fixed Volume** options is set to "On", the other cannot be set.

### Restrictions on menu display

The default value is set to "**Deactivate menu settings**" for hotel mode. By setting this item to "**Disable all menus**" you can block access to all menus. You can also deactivate this function by setting "Off".

The following settings menu will be hidden: Others menu: Network, Installation

### Teletext

Setting this item as "On." or "Off." you can enable or disable Teletext (or MHEG, if available) services.

### Copy to USB

With this option, you can copy the NVRAM data (service list, preferences, etc.) and the welcome image in the "hotel\_wel.png" format to the USB device. Highlight Copy to USB and press OK to copy these files from the TV to USB. A folder named "clonexxxxx" is created on the USB device and the files are saved in this folder.

### Copy from USB

Use this option to copy NVRAM data (service list, presets, etc.) and the welcome image from the USB device. Highlight **Copy from USB** and press OK, select the directory named "clonexxxxxx" and press OK again to copy the NVRAM data files from USB to TV.

The welcome image should be named "hotel\_wel.png" and placed in a directory named "CLONE00001" on the USB device. After selecting **Copy from USB** and pressing the OK button, highlight the "CLONE00001" folder and press the OK button. A menu of options will appear. Select **Copy from USB** and press OK to copy the welcome image from USB to TV. Switch the TV off and on again to display the new welcome picture.

**Note:** The USB device to be used for copying from USB must be formatted as FAT32.

### Export channel list to USB (availability of this feature varies depending on TV model)

Use this option to copy the channel list from the TV to the USB device.

### Import channel list from USB (availability of this feature varies depending on TV model)

Use this option to copy the channel list from the USB device to the TV.

### Wake-up channel

Set the channel whose time data is to be used for wake-up. If this option is set to "0", the time data of the monitored channel will be used.

**Note:** If the hotel mode is active, the "Add wake-up timer" function will be available in the "TV/Timers" menu. After saving the new timer, the TV will automatically switch on at the desired time.

### Wake-up volume

Setting the volume value when waking up with the TV. This value cannot be set to a higher value than the value set in the "Volume Limit - TV" menu item in the Volume Settings menu.

### Fixed image mode

Set as "On." to turn off the image setup menus.

### Digital tuner

Set as "Off." to turn off digital channels. When you start a digital channel from the channel list, the message "No signal" is displayed and digital channels do not appear in the list when you search manually or automatically.

### Multiple remote control support (up to 4)

You can select one of the predefined remotes or set it as "Off". You can set the driver type in the "RCU menu". The abbreviation for this menu is RETURN/BACK-1-2-3-4.

Note: For all MHEG-enabled services, the INFO-RETURN/BACK-1-2-3-4 buttons must be pressed sequentially. Multi-remote support works on RC5 type remotes.

### Welcome screen

After setting the value "On." the TV will display a welcome screen at startup. The welcome screen is a PNG image with a resolution of 3840 × 2160 pixels for UHD resolution, 1920 × 1080 pixels for FHD resolution and 1280 × 720 pixels for HD resolution. The welcome screen image can be changed as described in "Copy from USB".

**Note:** Files larger than 2048 kB are not supported.

### NIT update

If this option is enabled, the Network Information Table (NIT) data will be updated automatically.

### EPG display options

If you enable this option, the EPG menu will be available even when the TV is in hotel mode.

### CEC enabled (availability of this feature varies depending on TV model)

The options available are Manual, Off. and Auto. The CEC function will work according to the settings.

### Restore original values

Highlight this option and press the OK button on the remote control to restore the hotel mode menu to its default (factory) settings.

## Electronic program guide

You can browse through the currently installed channels in the channel list via your TV's electronic programme guide function. It depends on the related broadcast whether this feature is supported or not.

To access the program guide, press the **Guide** button on the remote control. You can also use the **Programme Guide** function in the TV menu.

There are 2 different layout types, Timeline Schedule and Current/Next. To switch between these layouts, highlight the layout you wish to use at the top of the screen and press **OK**.

Use the direction buttons to navigate through the programme guide. Use the **BACK** button to use the options tabs at the top of the screen.

### Schedule on the timeline

In this layout option, all channel events listed will be displayed on the timeline. You can use the directional buttons to scroll through the events listed. To display a menu of event options, highlight the event and press **OK**.

To use the available options, press the **BACK** button. To view the filtering options, highlight the Filter tab and press **OK**. To change the layout, highlight Current/Next and press **OK**. To view the previous and next day's events, you can use the Previous Day and Next Day options.

To view the options below, highlight the **Extras** tab and press **OK**.

**Choose a genre:** Highlights the Genre Selection menu. Select a genre and press the **OK** button. All events in the program guide that match the selected genre will be highlighted.

**Search Guide:** Displays the search options. Use this feature to search the Program Guide database for genres that match the selected criteria. The corresponding results will be sorted into a list.

**Current:** Displays the current event of the highlighted channel. Zoom To view events over a wider period of time, highlight and press the **OK** button.

### List Current/Next

In this layout option, only current and future channel events will be listed. You can use the directional buttons to scroll through the events listed.

To use the available options, press the **BACK** button. To view the filtering options, highlight the **Filter** tab and press **OK**. To change the layout, highlight **Timeline** and press **OK**.

## Event options

Use the directional buttons to highlight the event and press **OK** to open the Options menu. The following options are available.

**Select Channel:** Use this option to switch to the selected channel and watch it. The programme guide will close.

**More information:** View detailed information about the selected event. Use the up and down arrow buttons to scroll through the text.

**Event timer / Delete event timer:** Select Set timer on Event options and press **OK**. You can set timers for future events. To cancel an already set timer, highlight the event and press **OK**. Then select Delete timer per event. The timer will be cancelled.

### Notes:

- If the timer is active on the current channel, you cannot switch to another channel.
- It is not possible to set a timer for two or more programmes in the same time interval.

## Teletext services

Press the Text button to enter. Press again to activate Mix mode, which allows you to view the Teletext page and the TV broadcast simultaneously. To exit, press again. If available, sections of the teletext pages will be colour coded and can be selected by pressing the coloured buttons. Follow the on-screen instructions.

## Digital teletext

To view the information from the digital teletext, press the Text button. Control it with the coloured buttons, arrow keys and **OK** button. Options may vary depending on the content of the digital teletext. Follow the instructions displayed on the digital teletext screen. When you press the Text button, the TV returns to watching TV.

## Software update

Your TV can automatically search for and update firmware using an antenna signal or via the internet.

### Search for software updates via the user interface

From the main menu, select Settings, then scroll to Software Update and press **OK**. Then select Search for Updates and press **OK** to check for a new software update. Software Update is also available in **Settings > System > Other settings**.

If a new update is found, it will start downloading. When the download is complete, a warning will appear, press **OK** to complete the software update process and restart the TV.

### Search and update mode 3 AM

The TV will always search for new updates at 3:00 if you have enabled Auto Scan and if the TV is connected to an antenna signal or the Internet. If new software has been found and successfully downloaded, it will be installed the next time you switch on.

**Note:** Do not disconnect the power cord if the indicator light flashes during reboot. If the TV does not turn on after the update, unplug the TV for 2 minutes and plug it in again. All updates are done automatically. If a manual search is performed and no software is found, then it is the current version.

## Troubleshooting and tips

### TV won't turn on

Make sure the power cord is properly connected to the power outlet. Press the main on/off button on the TV.

### Bad image

- Make sure you have tuned the TV correctly.
- A poor picture can be caused by a weak signal. Please check the antenna connection.

- If you have performed a manual tuning, check that you have selected the correct frequency.

#### **No image**

- The TV is not receiving any signal. Make sure the correct input source has been selected.
- Is the antenna connected correctly?
- Is the antenna cable connected correctly?
- Are the appropriate plugs used to connect the antenna?
- If in doubt, contact the dealer.

#### **No audio**

- Check that the TV sound is not muted. To cancel the mute, press the Mute button or increase the volume.
- Sound can only come from one speaker. Check the balance settings from the sound menu.

#### **Remote controller does not operate**

- The batteries may be dead. Replace old batteries with new ones.
- Maybe the batteries are inserted incorrectly. See "Inserting batteries in the remote control"

#### **No signal on input source**

- It is possible that no device is connected.
- Check the AV cables and connections from the device.
- Check that the device is switched on.

#### **The image is not centered in the VGA source**

If you want your TV to automatically centre the picture, enter the PC Position menu in the Picture menu, highlight **Auto Position** and press **OK**. Wait for the process to complete. To manually adjust the position of the image, you can use the H Position and V Position options. Select an option and set it using the left and right directional buttons on the remote control.

### **Information about DVB functions**

This DVB receiver is only suitable for use in the country for which it was designed.

Although this DVB receiver complies with the latest DVB specification at the time of manufacture, we cannot guarantee compatibility with future DVB broadcasts due to changes that may occur in broadcast signals and technologies.

Some digital features may not be available in all countries.

We are constantly striving to improve our products and therefore specifications are subject to change without notice.

For advice on where to buy accessories, contact the store where you purchased the equipment.

### **PC input typical display modes**

The following table lists some typical video display modes. Your TV may not support all resolutions.

<b>Index</b>	<b>Resolution</b>	<b>Frequency</b>
1	640x480	60 Hz
2	640x480	75 Hz
3	800x600	56 Hz
4	800x600	60 Hz
5	800x600	72 Hz
6	800x600	75 Hz
7	1024x768	60 Hz
8	1024x768	70 Hz
9	1024x768	75 Hz
10	1152x864	75 Hz
11	1280x768	60 Hz
12	1360x768	60 Hz

13	1280x960	60 Hz
14	1280x1024	60 Hz
15	1280x1024	75 Hz
16	1400x1050	60 Hz
17	1440x900	60 Hz
18	1440x900	75 Hz
19	1920x1080	60 Hz

## AV and HDMI compatibility

Source	Supported signals	Availability	
Rear AV	PAL	O	
	SECAM	O	
	NTSC4.43	O	
	NTSC3.58	O	
YPbPr	480i, 480p	60 Hz	O
	576i, 576p	50 Hz	O
	720p	50Hz,60Hz	O
	1080i	50Hz,60Hz	O
HDMI	480i, 480p	60 Hz	O
	576i, 576p	50 Hz	O
	720p	50Hz,60Hz	O
	1080i	50Hz,60Hz	O
	1080p	24Hz, 25Hz, 30Hz, 50Hz, 60Hz	O

(X: Not available, O: Available)

In some cases, the TV signal may not be displayed correctly. The problem may be incompatibility with equipment (DVD, Set-top box, etc.). If you encounter this problem, contact your dealer as well as the equipment manufacturer.

## NETWORK CONNECTION

### Wireless connection

#### Connecting to a wireless network

Your TV may have trouble connecting to some networks with hidden SSIDs. To make your modem's SSID visible, change the modem's settings in its system.

#### Broadband to ISP (1)

Wireless-N router (IEEE 802.11a/b/g/n) with simultaneous use of 2.4 and 5 GHz bandwidth is designed to increase bandwidth. It's optimised for smoother and faster HD video streaming, file transfers and wireless gaming.

- Frequencies and channels vary depending on the area.
- The transmission speed varies depending on the distance and number of obstacles between the transmission products, the configuration of the products, the radio wave conditions, the traffic and the products you are using. Transmission may also be interrupted or disconnected depending on radio wave conditions, DECT phones or any other WLAN 11b devices. The



normal transmission rate values are the theoretical maximum for wireless standards. This is not an efficient data transfer rate.

- The locations where transmission is most effective vary depending on the user environment.
- Wireless TV option supports modem type 802.11 a,b,g & n. The use of the IEEE 802.11n communication protocol is strongly recommended to avoid potential problems when viewing video.
- If modems with the same SSID are located nearby, you must change the SSID of one of them. Otherwise, connection problems will occur.

### Configure wireless device settings

You can start the connection process from the Network Settings menu, where you set the Connection **Method** to **Wireless Device**.

If you wish to search for available wireless networks, highlight **Search wireless networks** and press **OK**. A list of all the networks found will appear. To connect to the network, select the desired network from the list and press **OK**. A network with a hidden SSID cannot be discovered by other devices. To connect to a network with a hidden SSID, scroll down the list of wireless networks you've found, highlight Add new network, and press **OK**. Enter a network name and use the appropriate connection options to select the security type.

**Note:** If the modem supports N mode, you can set it up.

If the selected network is password protected, enter the correct password using the virtual keyboard. Use the directional buttons and the **OK** button on the remote control to use this keypad.

Wait until the IP address is displayed.

This means that the connection has been established. To disconnect from the wireless network, select **Connection method** and use the Left or Right button to set it to **Off**.

If you're connected to a wireless network, the Network menu will show Disconnect and your wireless network profile will be saved, so your TV will connect to the same network automatically whenever you switch to a wireless connection. To disconnect from the wireless network and delete the saved wireless network profile, highlight Disconnect and press **OK**.

If your router has WPS, you can connect directly to the modem/router without entering a password or adding a network first. Select WPS on your router and press **OK**. To connect, press the WPS button on your modem/router. After the devices have connected, a confirmation message will appear on your TV. Select **OK** to continue. No further setup is required.

Highlight **Connection speed test** and click **OK** to check the speed of your Internet connection. Highlight Advanced Settings and click **OK** to open the Advanced Settings menu. Use the directional and numeric buttons to adjust the settings. When you are done and want to save the settings, highlight Save and press **OK**.

### More information

If a connection is established, the connection status is displayed as Connected or Not Connected and the current IP address.

### Connect your mobile device via WLAN

- If your mobile device is WLAN-enabled, you can connect it to your TV via a router to access your device's content. In this case, your mobile device must have the appropriate sharing software.
- Follow the steps in the previous chapter to connect your TV to the router.
- Then connect your mobile devices to the same router (same Wi-Fi network) and launch the selected UPnP/DLNA casting app on your mobile device. Then select the files you want to share with your TV.
- If the connection is established correctly, you should now be able to access shared files from your mobile device via Audio Video Sharing, which is included with your TV.
- Highlight **Audio and Video Sharing** in the Sources menu and press **OK** to see the available devices on the network. Select your mobile device and press **OK** to continue.
- If available, you can download the virtual remote control app from your mobile app provider's server.

**Note:** This feature may not be supported on all mobile devices.



## Network standby mode

Network standby is a standard that allows you to turn on or wake up the device via a network message. The message will be sent to the device via a program running on a remote device that is connected to the same local network as the smartphone.

Your TV is WoWLAN compatible. This feature may not be available during the First Installation process. To enable this feature, set the Network Standby option in the Network menu to On. The device from which the network message will be sent to the TV and the TV must be connected to the same network. Network Standby is only supported for Android devices and can only be used through the YouTube and Netflix apps.

To use this feature, the TV and remote device should be connected while the TV is on. If the TV is switched off, the connection should be restored the next time you switch it on. Otherwise, this option will not be available. This does not apply when the TV is switched to standby mode.

The performance of some devices on the market may vary depending on the software architecture. To use the Network Standby feature with better performance, make sure your device has the latest firmware version. If you want your TV to consume less power in standby mode, you can disable this feature by setting Mains Standby to **Off**.

## Wireless screen

Wireless screen is the standard for streaming video and audio content. This feature provides the ability to use the TV as a wireless display device.

### Use with mobile devices

There's an easy way to project the content of your mobile device's display onto your TV. This way you can view (mirror) photos, videos and other content from your mobile device's display on the big screen TV. This feature also allows you to play audio.

Make sure your mobile device and TV are connected to the same router/ Wi-Fi network. Then press the **Source** button on the remote control and scroll to the Wireless Display sources.

A screen will appear to indicate that the TV is ready to connect.

Open the sharing app on your mobile device. These applications are named differently for each brand of mobile phone and are usually pre-installed as part of the system. But you can also install third-party apps. In your phone's app store, look for apps labeled "screen mirroring" / "screen mirroring". Please refer to your mobile device's user manual for detailed information.

Search for your TV in the relevant app on your mobile phone and select it to connect. After you select your TV and connect, your device screen will be displayed on the TV.

**Note:** This feature can only be used if the mobile device supports this feature. If you experience connection problems, check that the version of the operating system you are using supports this feature. Incompatibility issues may occur with operating system versions that are released after this TV was manufactured. The scanning and attaching processes vary depending on the program you are using.

## Internet browser

If you want to use a web browser, first open the **Home** menu. Then launch the browser app that has the orange logo with the country symbol on it.

On the browser home screen, thumbnails from the predefined website links (if any) appear as **speed dial** options, along with **Edit Speed Dial** and **Add to Speed Dial** options.

Use the directional buttons on the remote control to go to the web browser. To view the browser options bar, move the cursor to the top of the page. Here you have the **History**, **Tabs** and **Bookmarks** options, and a browser bar that contains the Previous/Next buttons, the **Update** button and the address/search bar, **Quick Dial** and **Vewd** browser buttons.

To add the desired web page to the Quick Access Options list, move the cursor to the top of the page, or press. The browser bar is displayed. Highlight the **Speed dial** button and press the **OK** button. Next, select **Add to speed dial** and press **OK**. Fill in the **Name** and **Address** fields, highlight **OK**, and press **OK** to add. When you are on the page you want to add to the speed dial list, highlight the **Vewd** button and press **OK**. Next, highlight

**Add to speed dial** and press **OK**. The **Name** and **Address** fields are automatically filled in depending on the pages you have visited. Highlight **OK** and press the **OK** button to add.

You can also use the **Vewd** menu options to manage the browser. Highlight the **Vewd** button and click **OK** to view the available pages for both specific and general options.

There are different ways to search and browse websites using a web browser.

- Type the website address (URL) in the search/address bar, highlight the **Enter** button on the virtual keyboard, and press **OK**.
- To search for the desired website, type the keyword in the search/address bar, highlight the **Enter** button on the virtual keyboard, and press **OK**.
- To visit the desired website, highlight the **Speed Dial** thumbnail and press **OK**.

Your TV is compatible with the USB mouse. For easier and faster navigation, connect a mouse or wireless mouse adapter to the USB port on your TV.

Some websites contain flash content. These are not supported by the browser.

Your TV does not support any Internet download processes in your web browser.

Not all sites on the internet are supported. Depending on the location, content issues may arise. In some cases, you will not be able to play video content.

## Troubleshoot connection problems

### No wireless network available

- Make sure that each firewall on your network allows wireless TV connections.
- Try searching for wireless networks again using the Networks menu.
- Check the modem (router). If the router works, check the modem's internet connection.

### Connection is slow

For more information about the modem's internal service area, connection speed, signal quality, and other settings, see the modem's user manual. You must have a high-speed modem connection.

### Interruptions during playback or slow response

In this case, try the following:

- Keep a distance of at least three metres from microwave ovens, mobile phones, Bluetooth devices or other WLAN-compatible devices. Try changing the active channel on the WLAN router.

### Internet connection not available / Audio and video sharing not working

If the MAC address (unique identification number) of your PC or modem has been registered temporarily, the TV may not connect to the Internet. In this case, the MAC address is verified every time you connect to the Internet. This is a measure against unauthorised access. Because your TV has its own MAC address, your ISP cannot verify your TV's MAC address. For this reason, you cannot connect to the TV. Contact your internet provider and ask for information about your internet connection. It is also possible that the connection failed because of the firewall. If you think this is causing your problem, contact your ISP. A firewall may be causing connection problems when using the TV in Audio and Video Sharing mode or when surfing through Audio and Video Sharing.

### Invalid domain

Before sharing files in the media server program on your PC, make sure that you are logged in to the PC with a verified username/password and that your domain is active. If the domain is invalid, it may cause problems when viewing files in Audio and Video Sharing mode.

## Using the Audio and Video Sharing network service

The Audio and Video Sharing feature uses a standard that simplifies the process of monitoring digital electronics and is therefore suitable for use on a home network.

This standard allows you to view and play photos, music and video stored on a media server that is connected to your home network.

## Installing server software

The Audio and Video Sharing function cannot be used if the server software is not installed on the computer, or if the required media server software is not installed on the companion device. Install the correct server program on your computer.

## Connecting to a wireless network

For more detailed configuration information, see the Wireless chapter.

## Audio and Video Sharing

Go to **Settings > Devices** and turn on **Audio and video sharing**.

## Playing Shared Files via Media Browser

Highlight **Audio and Video Sharing** in the Sources menu using the directional buttons and press **OK**. The available devices on the network are displayed. Choose one of them and press **OK** to continue. The media viewer appears.

For more information about playing files, see the Media Viewer menu.

If there is a problem with the network, unplug the TV from the socket and plug it back in. Trick mode and skipping are not supported with Audio and Video Sharing.

**Note:** Some computers may not be able to use Audio and Video Sharing because of administrator permissions and security settings (for example, corporate PCs).

## Smart Center

TV Smart Centre is a mobile app that runs on iOS and Android platforms. You can easily stream your favourite concerts and programmes from your smart TV via your mobile device. Also, you can run your apps, use your mobile device as a TV remote and share multimedia files.

Note: The ability to use all the features of this app depends on the characteristics of your TV.

## Let's start

To use the internet-enabled features, your modem/router must be connected to the internet.

**IMPORTANT: Make sure your TV and mobile device are connected to the same network.**

**Audio and Video Sharing** (if available) must be enabled for media sharing options. Press the **Menu** button on the remote control, select **Settings > Devices** and press **OK**. Mark Audio and Video Sharing and change to **Activated**. Now your TV is ready to connect to mobile devices. Install the TV Smart Centre app on your mobile device.

Launch the TV Smart Centre app on your mobile device. If all connections are configured correctly, the name of your TV will be displayed on your mobile device. If the name of your TV doesn't appear in the list, wait a moment and tap the Refresh widget. Select TV from the list.

## Application

You can access the apps installed on your TV in the **My TV** menu. Press the **Menu** button on the remote control to display the **My TV** menu. Highlight the selected application and press **OK** to continue.

To manage the apps installed on your TV, you can use the More apps option in the TV menu. You can add an installed app to **My TV**, launch it or delete it. Highlight the application and press **OK** to see the available options.

You can also add new apps available in the app store. To access, select Shop from the TV menu and press **OK**. The available apps will be displayed. You can also access the App Market from the More Apps menu.

You can reset your customisations in **My TV**, including app-related customisations, to their default values using the Reset apps option in the Settings menu (availability depends on your TV model and features). Highlight this function and press the **OK** button. A confirmation dialog message appears. Highlight Yes and press **OK** to continue. Please note that you will not be able to perform this operation again within the next few minutes.

### Notes:

- Possible problems with applications may be caused by application providers.

- Third-party Internet services are subject to change, interruption or limitation at any time.

## HBBTV system

HbbTV (Hybrid Broadcast Broadband TV) is a new industry standard that seamlessly combines TV services delivered via broadcast with services delivered via broadband. It also allows access to consumer-only internet services using connected TV and set-top boxes. Services provided through HbbTV include traditional broadcast TV channels, catch-up services, video-on-demand, EPG, interactive advertising, personalisation, voting, games, social networking and other multimedia applications.

HbbTV apps are available on channels where they are designated by the broadcaster. The broadcast will mark one app as "auto launch" and it will launch on the platform automatically. Auto-launch apps are usually marked with a small red button icon to alert the user that an HbbTV app is available on that channel. Press the red button to open the app page. After the page is displayed, you can return to the original state of the red icon by pressing the red button. You can switch between the red button icon mode by pressing the red button. It should be noted that the ability to toggle the red button is provided by the application and some applications may behave differently (other colored buttons, such as green, yellow, blue, may be defined for some other functions, e.g. shortcuts).

If the user switches to another channel while the HbbTV app is active (in red button icon mode or full UI mode), the following can happen.

- The application can continue to run.
- The application can be terminated.
- The application can be terminated and another red button autostart application can be started.

HbbTV allows applications to run from both broadband and broadcast TV. The operator may offer both options or only one of them. If a platform does not have a working broadband connection, it can still run applications transmitted over the TV broadcast.

The red button app provides links to other apps. The user can then switch to other applications using the links provided. The application must provide a way to exit itself; usually the Exit button is used for this.

HbbTV apps use buttons on the remote control to interact with the user. When the HbbTV application is launched, the application controls some of the buttons. Example: numeric channel selection will not work on a teletext application where the numbers indicate the teletext pages.

HbbTV requires AV streaming capability for the platform. There are many apps that provide VOD (video on demand) and catch-up TV services. The user can use the start, pause, stop, forward and rewind buttons on the remote control to work with AV content.

**Note:** You can enable or disable this feature from the Privacy menu in **Settings > System**.

## INSTRUCTIONS FOR USING THE MOBILE TV

### Switching on the TV using a 12-volt plug

1. Connect the cigarette lighter plug cable to the cigarette lighter in your car.
2. Connect the other side of the 12V cable to the DC 12 socket on the back of the TV. The standby LEDs will illuminate.
3. Press the Standby, Program +/- or number button on the remote control, or press the control button on the TV. The TV will then switch on.
4. Adjust the position of the antenna for better reception, or reinstall the TV channels if necessary.

### Switching on the TV

1. Press the Standby button on the remote control or press the control button on the TV to display a menu of function options. Sharpening will be on the standby options. Hold the button for 2 seconds to activate this option. The colour of the options icon will change. Then press the button again and the TV will switch to standby mode.
2. Disconnect the cable connectors and electrical plugs.

## TECHNICAL DATA

<b>Television broadcasting</b>	PAL BG/I/DK/ SECAM BG/DK
<b>Receiving channels</b>	VHF (BAND I/III) - UHF (BAND U) - HYPERBAND
<b>Digital reception</b>	Fully integrated digital terrestrial-cable TV (DVB-T-C-S) support (DVB-T2, DVB-S2 compatible)
<b>Number of preset channels</b>	11000
<b>Channel indicator</b>	Display on the screen
<b>RF antenna input</b>	75 ohms (unbalanced)
<b>Operating voltage</b>	100-240V AC, 50/60Hz.
<b>Sound</b>	German + Nicam Stereo
<b>Sound power (WRMS.) (10% THD)</b>	2 x 6
<b>Consumption (W)</b>	65 W
<b>Power consumption in Network Standby (W)</b>	< 2
<b>TV dimensions DxLxH (with base) (mm)</b>	185 × 734 × 478
<b>TV dimensions DxLxH (without base) (mm)</b>	48/79 x 734 x 435
<b>Wall mounting dimensions (mm)</b>	VESA M4 75x75
<b>Screen</b>	32"
<b>Operating temperature and humidity</b>	0°C to 40°C, max. humidity 85%

### AC Adapter Specifications

<b>Manufacturer name</b>	SHENZHEN HUNTKEY ELECTRIC CO., LTD
<b>Model identification mark</b>	HKA09012070-7U
<b>Input voltage (V)</b>	100-240
<b>Input AC frequency (Hz)</b>	50-60
<b>Output voltage (V)</b>	12.0
<b>Output current (A)</b>	7.0
<b>Output power (W)</b>	84.0
<b>Average active efficiency</b>	% 89,0
<b>Low load efficiency (%10)</b>	% 90,2
<b>Power consumption in unloaded mode (W)</b>	0.15

## Supported file formats for USB mode

### Video file formats

Extensions	Video codec	Max. resolution, frame rate and bit rate
.mpg, .mpeg, .dat, .vob, .ts, .trp, .m2ts	MPEG1/2, H.264, VC1	H.264: 1080Px2@30fps - 50Mbps, 1080P@60fps - 50Mbps Other: 1080P@60fps - 50Mbps
.avi	MPEG1/2, MPEG4, H.264, MJPEG	
.mp4, .m4a, .m4v, .mov, .qt, .3gp, .3g2, .3gpp	MPEG1/2, H.263, MPEG4, H.264	
.mkv	MPEG 1/2, MPEG4, H.264	
.flv	Sorenson Sp, MPEG4, H.264	
.asf, .wmv	MPEG4, WMV3, VC1	
.webm	VP9, VP8	
.mp4, .mov, .3gpp, .3gp, .ts, .trp, .tp, .mkv	HEVC/H.265	

### Image file formats

Extensions	Technical specifications	Resolution (width x height)
.jpg .jpeg	Basic	8192 x8192
	Progressive	3000 x 3000
.bmp	RGB 1/4/8/16/24/32 bit	8192 x8192
	RLE 4/8 bit	
.png	Grayscale, 24/32 bits per pixel	
	Interlace format	
	Progressive	

### Audio file formats

Extensions	Format
.mp3,	.mp3,
.ac3,	.ac3,
.aac	.AAC
.wma	.WMA
.amr	.AMR-NB, .AMR-WB
.wav	.MPEG La, .AAC, .PCM

### Subtitle file formats

External subtitles	
Extensions	Technical specifications
.ssa	SubStation Alpha
.ass	Advanced SubStation Alpha
.srt	Subripper
.sub	Micro DVD / SubViewer
.sub + .idx	VOBSub
TXT:	Micro DVD / TMPlayer / MPL2
.mpl	MPL2

.smi	Sami
.jss	JACOSUB
.ttml	TTML
.txt / .sub	DVDSUBTITLE
.lrc	-

Internal subtitles	
Extensions	Technical specifications
.mkv	VOBSub
.mkv	ASS/SSA/TEXT
.dat, .mpg, .mpeg, .vob	DVD Subtitles
.mp4,	DVD Subtitles, TEXT

### Supported DVI resolution

If you are connecting devices to the TV connectors using DVI converter cables (DVI to HDMI cable - not supplied), see the following resolution information.

	56 Hz	60 Hz	66 Hz	70 Hz	72 Hz	75 Hz
640x400				X		
640x480		X	X		X	X
800x600	X	X		X	X	X
832x624						X
1024x768		X	X	X	X	X
1152x864		X		X		X
1152x870						X
1280x768		X				X
1360x768		X				
1280x960		X				X
1280x1024		X				X
1400x1050		X				X
1440x900		X				X
1600x1200		X				
1680x1050		X				
1920x1080		X				

### Notification of authorisation

**HDMI**™ The terms HDMI, HDMI High-Definition Multimedia Interface, HDMI Trade Dress and HDMI Logo are trademarks or registered trademarks of HDMI Licensing Administrator, Inc. Produced under license from Dolby Laboratories. Dolby, Dolby Audio and the double-D symbol are trademarks of Dolby Laboratories Licensing Corporation. "YouTube and the YouTube logo are trademarks of Google Inc. This product contains technology subject to Microsoft's intellectual property rights. Use or distribution of this technology outside of this product is prohibited without the appropriate license(s) from Microsoft. Content owners use Microsoft PlayReady™ content access technology to protect their intellectual property, including copyrighted content. This device uses PlayReady technology to access PlayReady-protected content and/or WMDRM-protected content. In the event that the device ceases to properly enforce restrictions on content usage, content owners may require Microsoft to revoke the device's ability to consume PlayReady-protected content. The revocation should not affect unprotected content or content protected by other technologies. Content owners may require a PlayReady update to access their content. If you refuse the update, you will not be able to access the content that requires the update.

The "CI Plus" logo is a trademark of CI Plus LLP.

This product is protected by certain intellectual property rights of Microsoft Corporation. Use or distribution of such technology outside of this product is prohibited without a license from Microsoft or an authorized Microsoft subsidiary.

## USE AND DISPOSAL OF WASTE

Wrapping paper and corrugated paperboard – deliver to scrapyards. Packing foil, PE bags, plastic elements – throw into plastic recycling containers.

## DISPOSAL OF PRODUCTS AT THE END OF LIFETIME

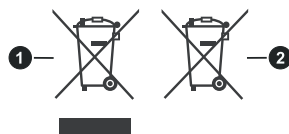
### European Union

These symbols indicate that electrical and electronic devices and batteries with this symbol must not be thrown away with normal household waste at the end of their life. Instead, the product as well as the batteries should be handed over to collection points for the recycling of electrical and electronic equipment, for proper treatment, recovery and recycling in accordance with your national legislation and Directives 2012/19/EU and 2013/56/EU.

By disposing of these products properly, you help to conserve natural resources and avoid potential negative environmental and human health impacts that could otherwise result from improper handling during disposal.

For more information about collection centres and recycling of these products, contact your local authority, waste disposal services or the shop where you bought the product.

Improper disposal of this waste may result in a fine depending on state law.



1. Products
2. Battery

### For entrepreneurs

If you wish to dispose of this product, please contact your supplier and read the general terms and conditions of the purchase contract.

### Other countries outside the European Union

These symbols are valid only in the European Union.

For information on how to dispose and recycle, contact your local authority.

Take the product and packaging to the recycling facility.

Some collection centres accept free products.

**Note:** Pb under the symbol means that the battery contains lead.

This product complies with the requirements of the EU directives on electromagnetic compatibility and electrical safety and the issue of heavy metals in electrical and electronic equipment.



Hereby, K + B Progres, a.s. declares that the type of radio equipment ECG 32HSL231M is in compliance with the directive 2014/53/EU.

The full Declaration of Conformity is available at [www.ecg-electro.eu](http://www.ecg-electro.eu).

The operating manual is available at [www.ecg-electro.eu](http://www.ecg-electro.eu).

Changes of text and technical parameters reserved.



# SICHERHEITSHINWEISE

## Bitte aufmerksam lesen und gut aufbewahren!

**Warnung:** Die in dieser Anleitung angeführten Sicherheitsvorkehrungen und Hinweise umfassen nicht alle Umstände und Situationen, zu denen es kommen kann. Der Anwender muss begreifen, dass der gesunde Menschenverstand, Vorsicht und Sorgfalt zu Faktoren gehören, die sich in kein Produkt einbauen lassen. Diese Faktoren müssen durch den Anwender bzw. mehrere Anwender bei der Verwendung und Bedienung dieses Geräts gewährleistet werden. Wir haften nicht für Schäden, die durch Transport, eine unsachgemäße Verwendung, Spannungsschwankungen sowie eine Änderung oder Modifikation des Geräts entstehen. Um das Risiko von Bränden oder Stromschlägen zu vermeiden, sollten bei der Verwendung elektrischer Geräte immer grundlegende Vorsichtsmaßnahmen befolgt werden, einschließlich der folgenden:

1. Gehen Sie beim Auspacken des Geräts sehr vorsichtig vor. Schützen Sie vor allem den Bildschirm des Geräts. Dieser kann sehr leicht beschädigt werden.
2. Lesen Sie sorgfältig sämtliche Anweisungen
3. Bewahren Sie die Anweisungen für den künftigen Gebrauch auf
4. Beachten Sie die in der Gebrauchsanweisung angeführten Anweisungen
5. Befolgen Sie alle Anweisungen
6. Verwenden Sie das Gerät nicht in der Nähe von Wasser
7. Reinigen Sie das Gerät ausschließlich mit einem trockenen Tuch
8. Blockieren Sie nicht die Lüftungsöffnungen. Platzieren Sie das Gerät im Einklang mit den Herstellerhinweisen
9. Installieren Sie das Gerät nicht in der Nähe von Wärmequellen wie Heizungen, Heizkörper, Öfen oder anderen Geräten (z. B. Verstärkern), die Wärme erzeugen. Stellen Sie das Gerät nicht in der Nähe eines offenen Feuers (z. B. Kerzen) auf. Unter keinen Umständen darf ein offenes Feuer (z. B. eine brennende Kerze) auf das Produkt gestellt werden. Stellen Sie auch keine heißen Gegenstände oder Gegenstände mit einem offenen Feuer auf oder in die Nähe des Geräts. Hohe Temperaturen können Kunststoffteile schmelzen und Brände verursachen.
10. Schließen Sie das Gerät nur an eine ordnungsgemäß gewartete Elektroinstallation an. Vergewissern Sie sich, dass die Spannung und Frequenz an Ihrer Steckdose mit der auf dem Typenschild des Geräts angegebenen Spannung, Frequenz und erforderlichen Belastbarkeit übereinstimmt und dass die Steckdose ordnungsgemäß geerdet ist. Die Steckdose muss gemäß geltender elektrotechnischer Norm (EN) installiert werden.
11. Schützen Sie das Netzkabel vor Beschädigungen. Treten Sie nicht darauf und verbiegen Sie es nicht.
12. Das Netzkabel und der Stecker müssen geschützt sein. Es ist darauf zu achten, dass keine Gegenstände auf dem Netzkabel liegen, die die Kabelisolierung beschädigen könnten.
13. Verwenden Sie nur das vom Hersteller empfohlene Zubehör.
14. Trennen Sie das Gerät bei Gewitter oder anderen Witterungserscheinungen vom Stromnetz. Wenn Sie das Gerät längere Zeit nicht benutzen oder bevor Sie Wartungsarbeiten durchführen, ziehen Sie den Netzstecker aus der Steckdose. Ziehen Sie das Netzkabel heraus, indem Sie diesen am Stecker ziehen – ziehen Sie niemals am Netzkabel.
15. Sämtliche Reparaturen sollten im Falle einer Störung qualifizierten Mitarbeitern anvertraut werden. Nehmen Sie keine Manipulationen am Gerät vor und führen Sie keine technischen Eingriffe durch.
16. Das Gerät sollte gewartet werden, wenn es auf irgendeine Weise beschädigt ist. Wenn das Netzkabel oder seine Gabelung beschädigt ist, Flüssigkeit oder ein Fremdkörper in das Netzkabel eingedrungen ist. Wenn es Regen oder Feuchtigkeit ausgesetzt war, heruntergefallen ist oder nicht ordnungsgemäß funktioniert.
17. Die Steckdose, an die das Fernsehgerät angeschlossen ist, muss jederzeit leicht zugänglich sein. - Stecken Sie den Stecker des Netzkabels des Geräts direkt in eine separate Steckdose. Verwenden Sie keine Mehrfachsteckdosen oder Verlängerungskabel. Ziehen Sie beim Herausziehen des Netzsteckers am Stecker, nicht am Netzkabel
18. Sorgen Sie für eine umweltfreundliche Entsorgung der Batterien
19. Das Gerät ist ausschließlich für den Betrieb in Innenräumen und in gemäßigten Klimazonen vorgesehen.
20. Stellen Sie auf das Gerät keine Gegenstände mit Wasser (z. B. Vasen mit Blumen).

21. Die elektrostatische Entladung könnte die Funktionsweise beeinträchtigen. Die Funktionsweise kann durch Aus- und Einschalten des Geräts manuell wiederhergestellt werden.
22. Dieses Gerät kann von Kindern über 8 Jahren und von Personen mit eingeschränkten körperlichen und geistigen Fähigkeiten sowie von Personen ohne Erfahrung und Kenntnis des Geräts verwendet werden, sofern sie beaufsichtigt oder über eine sichere Verwendung des Geräts belehrt werden, so dass ihnen die mit der Verwendung verbundenen Gefahren verständlich sind. Kinder dürfen nicht mit dem Gerät spielen. Kinder dürfen das Gerät nicht ohne Aufsicht reinigen oder anderweitig warten.
23. **GEFAHR FÜR KINDER:** Kinder dürfen nicht mit dem Verpackungsmaterial spielen. Kinder dürfen nicht mit den Kunststoffbeuteln spielen. Erstickungsgefahr.
24. Dieser Fernseher arbeitet mit einer hohen Spannung. Nehmen Sie nicht die hintere Geräteabdeckung ab. Sämtliche Reparaturen sollten qualifizierten Wartungsarbeitern anvertraut werden.



#### Warnung

Setzen Sie das Gerät weder Regen noch Feuchtigkeit aus. Tauchen Sie es nicht in Flüssigkeiten ein. Es könnte zu einem Stromunfall kommen.

#### Setzen Sie das Gerät weder Regen noch Feuchtigkeit aus. Es besteht die Gefahr eines Brandes oder Stromschlags.

- Schützen Sie das Gerät vor Stürzen, Stößen, Aufprällen und Vibrationen. Weiter vor Staub und Feuchtigkeit.
- Beugen Sie dem Eindringen von fremden Gegenständen in die Lüftungsöffnungen des Geräts vor. Schützen Sie das Fernsehgerät vor dem Verschütten von Flüssigkeiten.
- Stecken Sie niemals Gegenstände in die Lüftungsöffnungen des Geräts. Dies könnte einen Kurzschluss, einen Stromschlag oder andere Schäden verursachen. Gießen Sie auch keine Flüssigkeit in das Gerät.
- Wenn das Gerät über einen Adapter mit Strom versorgt wird, verwenden Sie nur den mitgelieferten Adapter.

#### Hinweis

Achten Sie darauf, dass das Netzkabel nicht unter dem Fernsehgerät eingeklemmt wird.

Lehnen Sie sich nicht am Fernseher an. Auch sollten Sie diesen nicht neigen oder stupsen. Seien Sie besonders aufmerksam, wenn Kinder anwesend sind. Ein Stürzen des Geräts könnte zu schwerwiegenden Verletzungen führen.

Platzieren Sie den Fernseher nicht auf instabilem Wagen, Ständer, Regale oder Tische. Ein Sturz kann zu einer Beschädigung des Geräts oder zu Personenschäden führen. Stellen Sie ihn auf eine flache und stabile Oberfläche. Verdecken Sie nicht die Lüftungsöffnungen auf der hinteren Abdeckung des Geräts. Eine gute Ventilation ist für eine richtige Funktionsweise von elektrischen Komponenten unerlässlich.

Gewährleisten Sie bei der Installation und beim Betrieb des Geräts an allen Seiten einen ausreichenden Freiraum, der für eine gute Luftzirkulation erforderlich ist. Während des Betriebs wird Wärme erzeugt, die auf diese Weise abgeleitet wird. Betreiben Sie das Gerät auf keinen Fall in geschlossenen Bücherschränken oder Regalen. Stellen Sie das Gerät nicht in direktem Sonnenlicht oder an Orten auf, an denen Wärme erzeugt wird (Heizungen, Öfen, Wärmetauscher usw.).

Lassen Sie um das Gerät herum genügend Platz, um eine Überhitzung zu vermeiden (z. B. bei Aufstellung an einer Wohnzimmerwand oder in einem anderen geschlossenen Raum). Es besteht die Gefahr einer Überhitzung des Fernsehgeräts, was zu Schäden am Gerät oder zu einem Brand führen kann.

- Das Gerät muss vor jeder Reinigung vom Stromnetz getrennt werden.
- Reinigen Sie das Produkt nur mit einem trockenen Tuch.
- Verwenden Sie zur Reinigung keine Lösungsmittel, Verdüner, Scheuermittel oder Topfkratzer.

#### Fernbedienung und Batterien



#### Warnung

Schützen Sie die Batterien vor hohen Temperaturen. Setzen Sie sie nicht dem direkten Feuer oder Sonnenlicht aus.

- Setzen Sie die Fernbedienung oder die Batterien nicht dem direkten Sonnenlicht aus.

- Die Fernbedienung und die Batterie dürfen nicht fließendem oder tropfendem Wasser ausgesetzt werden. Verwenden Sie die Fernbedienung nur in Innenräumen.
- Legen Sie die Batterien in der richtigen Richtung (Polarität) in die Fernbedienung ein. Ein unsachgemäßes Einlegen der Batterien kann zu Schäden an der Fernbedienung oder zum Auslaufen von Elektrolyt führen.
- Die Batterien dürfen nicht geladen, erhitzt, geöffnet oder kurzgeschlossen werden.
- Werfen Sie Batterien nicht ins Feuer.
- Lassen Sie keine leeren Batterien in der Fernbedienung.
- Wenn Sie die Fernbedienung über einen längeren Zeitraum nicht benutzen, nehmen Sie die Batterien heraus.
- Kombinieren Sie nicht verschiedene Batterietypen. Verwenden Sie immer nur einen Typ. Außerdem sollten Sie alte und neue Batterien nicht zusammen verwenden.
- Wenn Elektrolyt aus den Batterien in die Fernbedienung ausläuft, verwenden Sie sie nicht mehr und wenden Sie sich an die zuständige Servicestelle.
- Wenn die Fernbedienung nicht richtig funktioniert (die Leistung lässt nach), ersetzen Sie die Batterien durch neue.
- Kleine Batterien können ein Risiko für das Verschlucken durch Kinder darstellen. Lassen Sie Kinder auch nicht mit dem Verpackungsmaterial spielen. Erstickungsgefahr.

### Bei Verwendung von Kopfhörern

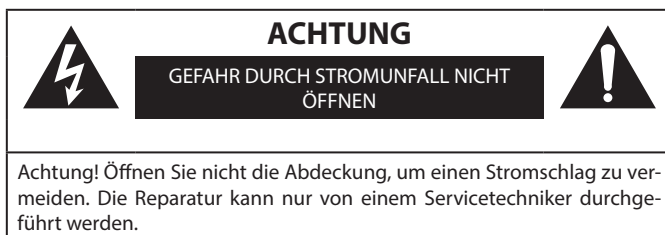
Um mögliche Gehörschäden zu vermeiden, sollten Sie das Gerät nicht bei hoher Lautstärke über einen längeren Zeitraum verwenden.

Übermäßiger akustischer Kopfhörerdruck könnte zu einem Hörschaden führen.

### Vorsicht bei der Wandmontage

- Bevor Sie das Fernsehgerät an der Wand montieren, lesen Sie die Anleitung, die der Halterung beigelegt wurde.
- Das Montageset ist optional. Wenn es nicht im Lieferumfang Ihres Fernsehers enthalten ist, können Sie es bei Ihrem Händler vor Ort erwerben.
- Installieren Sie das Fernsehgerät nicht an der Decke oder an einer schrägen Wand.
- Verwenden Sie die im Lieferumfang der Halterung enthaltenen Wandbefestigungsschrauben und weiteres Zubehör.
- Ziehen Sie die Schrauben fest an, damit das Fernsehgerät nicht herunterfällt, aber ziehen Sie sie nicht zu fest an.

## SYMBOLS UND WARNHINWEISE AUF DEM PRODUKT



Das Blitzsymbol mit dem Pfeil in einem gleichseitigen Dreieck warnt den Anwender vor einer nicht isolierten „gefährlichen Spannung“ innerhalb des Geräts, die so hoch und zu Stromunfällen führen könnte.



Das Ausrufezeichen im gleichseitigen Dreieck informiert den Anwender darüber, dass der mitgelieferten Literatur viele wichtige Wartungs- und Betriebshinweise zu entnehmen sind.



Dieses Symbol weist darauf hin, dass es sich um ein Gerät der zweiten Schutzklasse mit doppelter Isolierung zwischen einer gefährlichen Netzspannung und seitens des Anwenders zugänglichen Teilen handelt. Verwenden Sie ausschließlich identische Ersatzteile.



Laserprodukt der Klasse 1: Dieses Produkt enthält eine Laserquelle der Klasse 1, die unter vernünftigerweise vorhersehbaren Betriebsbedingungen sicher ist.

## WARNUNG

Stellen Sie den Fernseher niemals an einem instabilen Ort auf. Der Fernseher kann herunterfallen und zu schweren oder tödlichen Verletzungen führen.

Viele Verletzungen, insbesondere bei Kindern, können durch einfache Maßnahmen verhindert werden wie:

1. Verwenden Sie die vom Hersteller des Fernsehers empfohlene Schränke oder Ständer.
2. Verwenden Sie nur Möbel, die den Fernseher sicher tragen können.
3. Vergewissern Sie sich, dass der Fernseher nicht über die Kante des Möbelstücks hinausragt, auf dem er platziert ist.
4. Stellen Sie den Fernseher nicht auf hohe Möbel (wie Schränke oder Bücherregale), ohne dass die Möbel oder der Fernseher an einer geeigneten Stütze verankert sind.
5. Stellen Sie den Fernseher nicht auf ein Tuch oder ein anderes Material, die sich somit zwischen dem Fernseher und dem Möbelstück befinden würden.
6. Informieren Sie Kinder über die Gefahren beim Klettern auf Möbel, um zum Fernseher oder seinen Bedienelementen zu gelangen.

Wenn Sie Ihr vorhandenes Fernsehgerät behalten und umstellen wollen, sollten Sie die gleichen Grundsätze befolgen.

**Die Bilder und Illustrationen in diesem Handbuch dienen nur zu Informationszwecken und können vom tatsächlichen Aussehen des Produkts abweichen. Änderungen des Produktdesigns und der technischen Daten sind ohne Vorankündigung möglich.**

## Informationen zur Umwelt

Dieser Fernsehempfänger wurde so konzipiert, dass er umweltfreundlich ist. Um den Energieverbrauch zu senken, gehen Sie folgendermaßen vor:

Wenn Sie den **Energiesparmodus** auf **Minimum**, **Mittel**, **Maximum** oder **Automatische** einstellen, wird der Stromverbrauch des Fernsehers entsprechend reduziert. Um die **Hintergrundbeleuchtung** auf einen festen Wert einzustellen, wählen Sie die Einstellung **Benutzerdefiniert** und stellen Sie die **Hintergrundbeleuchtung** (unter der Einstellung **Energiesparen**) manuell mit der linken oder rechten Taste auf der Fernbedienung ein. Um diese Einstellung zu deaktivieren, setzen Sie sie auf **Aus**.

**Bemerkung:** Die verfügbaren Energiesparoptionen können je nach dem ausgewählten **Modus** unter Einstellungen > Bild variieren.

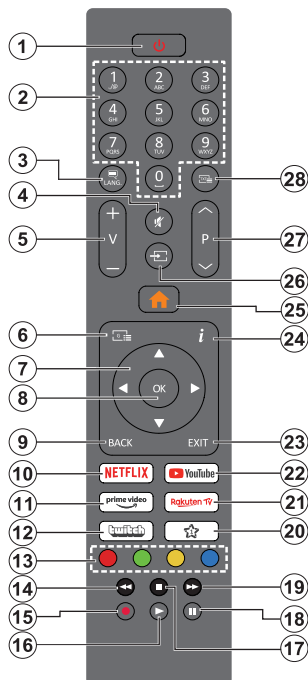
Sie finden die Einstellungen für **Energiesparen** unter **Einstellungen > Bild**. Einige Bildeinstellungen können nicht geändert werden.

Wenn Sie die rechte oder linke Taste drücken, erscheint auf dem Bildschirm die Meldung „Der Bildschirm schaltet sich in 15 Sekunden aus“. Wählen Sie **Weiter** und drücken Sie **OK**, um den Bildschirm sofort auszuschalten. Wenn keine Taste gedrückt wird, schaltet sich das Display nach 15 Sekunden ab. Um das Bild wieder einzuschalten, drücken Sie eine beliebige Taste auf der Fernbedienung oder dem Fernsehgerät.

**Bemerkung:** Die Option Bildschirm ausschalten ist nicht verfügbar, wenn der Spielmodus eingestellt ist.

Wenn das Fernsehgerät nicht benutzt wird, schalten Sie es aus oder ziehen Sie den Netzstecker. Dies wird auch den Energieverbrauch senken.

## FERNBEDIENUNG



1. **Standby-Modus(\*)**: Standby.Modus / Einschalten (kurz drücken), Reset / Ausschalten (drücken und halten)
2. **Numerische Tasten**: Schaltet den Sender um, gibt eine Zahl oder einen Buchstaben in das Textfeld auf dem Bildschirm ein.
3. **Sprache**: Schaltet zwischen den Audiomodi um (analoges Fernsehen), zeigt die Audio- bzw. Untertitelsprache an und ändert sie, und schaltet Untertitel ein und aus (digitales Fernsehen, falls verfügbar)
4. **Mute (Stummschalten)**: Schaltet den TV-Ton vollständig aus
5. **Lautstärke +/-**
6. **Guide (Programmführer)**: Zeigt den elektronischen Programmführer an
7. **Richtungstasten**: Hilft Ihnen bei der Navigation durch Menüs, Inhalte usw. und wenn Sie im TXT-Modus die Rechts- oder Linkstaste drücken, werden Unterseiten angezeigt
8. **OK**: Bestätigt Benutzerauswahlen, hält Seiten (im TXT-Modus), zeigt das Menü Sender (DTV-Modus) an
9. **BACK (Zurück)**: Kehrt zum vorherigen Bildschirm, zum vorherigen Menü zurück, öffnet die Indexierung der Seite (im TXT-Modus) Wechselt schnell zwischen vorherigen und aktuellen Programmen oder Quellen
10. **Netflix**: Startet die Netflix-App
11. **Prime Video**: Startet die Amazon Prime Video App
12. **Twitch**: Startet die Twitch App.
13. **Farbtasten**: Folgen Sie den Anweisungen auf dem Bildschirm für die Funktionen der Farbtasten
14. **Rewind (Zurückspulen)**: Bewegt das Bild in Medien wie Filmen rückwärts
15. Ohne Funktion
16. **Play (Wiedergabe)**: Startet die Wiedergabe des ausgewählten Mediums
17. **Stop (Anhalten)**: Stoppt die Medienwiedergabe
18. **Pause**: Pausiert die Medienwiedergabe
19. **Schnelles Vorspulen**: Bewegt das Bild in Medien wie Filmen rückwärts
20. **Meine Taste 1 (\*\*)**
21. **Rakuten TV**: Startet die Rakuten TV App
22. **YouTube**: Startet die YouTube App
23. **Verlassen**: Schließt und verlässt die angezeigten Menüs und kehrt zum vorherigen Bildschirm zurück
24. **Info**: Zeigt Informationen über den Inhalt auf dem Bildschirm an, zeigt versteckte Informationen an (aufdecken - im TXT-Modus)
25. **Menu**: Zeigt das TV-Menü an
26. **Source (Quelle)**: Zeigt alle verfügbaren Sendungen und Inhaltsquellen an
27. **Program +/-**
28. **Text**: Zeigt Videotext an (falls verfügbar), drücken Sie sie erneut, um Videotext über dem normalen Fernsehbild anzuzeigen (Mix)

### (\*) Standby-Taste

Halten Sie die Standby-Taste gedrückt, um die anderen Aktionen für diese Taste anzuzeigen. Markieren Sie eine der Optionen **Reset** (Neustart), **Standby-Modus** (Normaler Standby-Modus) und **Ausschalten** (Erzwungener

Standby-Modus) und drücken Sie **OK**, um die ausgewählte Aktion durchzuführen. Wenn Ihr Fernsehgerät nicht mehr auf Befehle reagiert und das Aktionsmenü nicht angezeigt werden kann, wird das Fernsehgerät neu gestartet, wenn Sie die Taste etwa fünf Sekunden lang gedrückt halten.

Drücken Sie kurz auf die Taste, um das Fernsehgerät in den Standby-Modus zu versetzen, oder schalten Sie es ein, wenn es sich im Standby-Modus befindet.

### (\*\*) **Meine Taste 1:**

Diese Taste kann je nach Modell eine andere Standardfunktion haben. Sie können jedoch die Sonderfunktionen dieser Taste einstellen, indem Sie die Taste bei der gewünschten Quelle, dem Sender oder der App länger als drei Sekunden gedrückt halten. Auf dem Bildschirm wird eine Bestätigungsmeldung angezeigt. Meine Taste 1 ist nun der ausgewählten Funktion zugewiesen.

Wenn Sie die Erstinbetriebnahme erneut durchführen, kehrt Meine Taste 1 zu ihrer ursprünglichen Funktion zurück.

## Einschalten/Ausschalten

### Einschalten des Fernsehers

Schließen Sie das Netzkabel an eine Stromquelle an, z. B. an eine Steckdose (100-240V AC, 50/60 Hz).

Sie können eine der folgenden Optionen wählen, um Ihr Fernsehgerät aus dem Standby-Modus einzuschalten:

- Drücken Sie die Taste **Standby-Modus, Programm +/-** oder eine Nummerntaste auf der Fernbedienung.
- Drücken Sie die Steuertaste am Fernsehgerät.

### Ausschalten des Fernsehers

Drücken Sie die Taste **Standby-Modus** auf der Fernbedienung.

Drücken Sie die Steuertaste am Fernsehgerät, um das Funktionsauswahlmenü anzuzeigen. Das Schärfen hängt von den Optionen im Standby-Modus ab. Halten Sie die Taste 2 Sekunden lang gedrückt, um diese Option zu aktivieren. Die Farbe des Optionssymbols wird sich ändern. Drücken Sie dann erneut die Taste und das Fernsehgerät geht in den Standby-Modus.

**Um das Fernsehgerät vollständig auszuschalten, ziehen Sie das Netzkabel aus der Steckdose.**

**Bemerkung:** Wenn das Fernsehgerät in den Standby-Modus geschaltet wird, kann die LED-Anzeige des Standby-Modus blinken. Dies zeigt an, dass Funktionen wie Suche im Standby-Modus, Download oder Timer aktiv sind. Die LED-Anzeige kann auch blinken, wenn Sie das Fernsehgerät aus dem Standby-Modus einschalten.

## EIGENSCHAFTEN

- Farbfernseher mit Fernbedienung
- Vollständig integriertes Digital-/Kabel-/Satellitenfernsehen (DVB-T-T2/C/S-S2)
- HDMI-Eingang zum Anschluss anderer Geräte mit HDMI-Ausgang
- USB-EINGANG
- OSD-Menüsystem
- Hintere AV-Eingänge für externe Geräte (z. B. Video, Videospiele, Audiogeräte usw.).
- Stereo-Soundanlage
- Teletext
- Anschluss für Kopfhörer
- Automatisches Programmiersystem
- Manuelle Abstimmung
- Automatische Abschaltung nach acht Stunden.
- Ausschalttimer
- Kindersicherung
- Automatische Stummschaltung, wenn keine Übertragung stattfindet.
- NTSC-Wiedergabe
- AVL (Automatische Lautstärkebegrenzung)
- PLL (Frequenzsuche)

- PC-Eingang
- Spielmodus (optional)
- Hotelmodus
- Funktion Bild ausschalten
- 802.11 a/b/g/n integrierte WLAN-Unterstützung
- Audio- und Videofreigabe
- HbbTV

## Hoher Dynamikbereich (HDR) / Hybrid Log-Gamma (HLG)

Mit dieser Funktion kann das Fernsehgerät einen größeren Dynamikbereich der Helligkeit wiedergeben, indem es mehrere unterschiedliche Belichtungen aufnimmt und dann kombiniert. HDR/HLG verspricht eine bessere Bildqualität mit helleren, realistischeren Bildverbesserung, realistischeren Farben und anderen Verbesserungen. Es bietet ein Bild, das die Filmemacher erreichen wollten, und lässt verborgene Bereiche mit dunklen Schatten und Sonnenlicht in voller Klarheit, Farbe und Details erscheinen. HDR/HLG-Inhalte werden über native Apps und Portalapps, HDMI- und USB-Eingänge sowie über DVB-S-Übertragungen unterstützt.

## Mitgeliefertes Zubehör

- Fernbedienung
- Batterie: 2 x AAA
- Bedienungsanleitung
- Netzteil mit DC 12V Eingang
- Auto-Stecker

## Standby-Benachrichtigungen

Wenn das Fernsehgerät 3 Minuten lang kein Signal empfängt (z. B. von einer Antenne oder HDMI-Quelle), schaltet es in den Standby-Modus. Wenn das Fernsehgerät wieder eingeschaltet wird, erscheint die folgende Meldung: „Das Fernsehgerät schaltet automatisch in den Standby-Modus, weil es längere Zeit kein Signal mehr empfangen hat.“ Sie können diese Funktion deaktivieren, indem Sie die Option **Timer ohne Signal** unter **Einstellungen** > **Geräte** entsprechend einstellen.

Die Option **Automatisches Ausschalten des Fernsehers** (unter **Einstellungen** > **System** > **Mehr**) kann standardmäßig auf 1 bis 8 Stunden eingestellt werden. Wenn diese Einstellung nicht auf Ausgeschaltet gesetzt ist und das Fernsehgerät nach Ablauf der eingestellten Zeit eingeschaltet bleibt und nicht bedient wird, schaltet es nach Ablauf der eingestellten Zeit in den Standby-Modus. Wenn das Fernsehgerät wieder eingeschaltet wird, erscheint die folgende Meldung: „Das Fernsehgerät schaltet automatisch in den Standby-Modus, weil lange Zeit keine Bedienung erfolgt ist.“ Ein Dialogfeld wird angezeigt, bevor das Fernsehgerät in den Standby-Modus wechselt. Wenn Sie keine Taste drücken, schaltet das Fernsehgerät nach 5 Minuten in den Standby-Modus. Um das Fernsehgerät sofort in den Standby-Modus zu versetzen, markieren Sie die Taste **Ja** und drücken Sie **OK**. Wenn Sie **Nein** markieren und **OK** drücken, bleibt der Fernseher aktiv. Sie können im Dialogfeld auch die Funktion **Automatische Abschaltung** deaktivieren. Markieren Sie **Verweigern** und drücken Sie **OK**, das Fernsehgerät bleibt aktiv und die Funktion wird aufgehoben. Sie können die Funktion wieder aktivieren, indem Sie die Einstellungen für die **Automatische Abschaltung** unter **Einstellungen** > **System** > **Mehr** ändern.

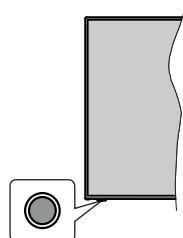
## STEUERTASTEN UND TV-BEDIENUNG

**Bemerkung:** Die Position der Bedientasten kann je nach Modell variieren.

Ihr Fernsehgerät verfügt über eine einzige Steuertaste. Mit dieser Taste können Sie Funktionen des Fernsehgeräts steuern, wie z. B. Ein / **Quelle** / Programme und Fernseher.

### Bedienung mit einer Taste

- Drücken Sie die Steuertaste, um das Menü zur Funktionsauswahl aufzurufen.
- Durch mehrmaliges Drücken der Taste befindet sich der Fokus auf der gewünschten Option.



- Halten Sie die Taste 2 Sekunden lang gedrückt, um die ausgewählte Option zu aktivieren. Die Farbe des Optionssymbols ändert sich, wenn Sie die Option aktivieren.
- Drücken Sie die Taste erneut, um diese Funktion zu nutzen oder um ein Untermenü aufzurufen.
- Wenn Sie eine andere Funktion auszuwählen möchten, müssen Sie zunächst die zuletzt aktivierte Option deaktivieren.
- Halten Sie die Taste gedrückt, um sie zu deaktivieren. Die Farbe des Optionssymbols ändert sich, wenn Sie die Option deaktivieren.
- Um das Funktionsmenü zu schließen, betätigen Sie die Taste etwa 5 Sekunden nicht. Das Menü mit den Funktionsoptionen wird ausgeblendet.

**Abschalten des Fernsehers:** Drücken Sie die Steuertaste, um das Menü mit den Funktionsoptionen aufzurufen, der Fokus befindet sich dann im Standby-Modus. Halten Sie die Taste 2 Sekunden lang gedrückt, um diese Option zu aktivieren. Die Farbe des Optionssymbols ändert sich, wenn Sie die Option aktivieren. Drücken Sie die Taste erneut, um das Fernsehgerät auszuschalten.

**Einschalten des Fernsehers:** Drücken Sie die Steuertaste, um das Fernsehgerät einzuschalten.

**So ändern Sie die Lautstärke:** Drücken Sie die Steuertaste, um das Funktionsmenü aufzurufen, und drücken Sie die Taste erneut, damit sich der Fokus auf der Option Volume + oder Volume - befindet. Halten Sie die Taste 2 Sekunden lang gedrückt, um die ausgewählte Option zu aktivieren. Die Farbe des Optionssymbols ändert sich, wenn Sie die Option aktivieren. Drücken Sie dann die Taste, um die Lautstärke zu erhöhen oder zu verringern.

**So wechseln Sie den Sender:** Drücken Sie die Steuertaste, um das Funktionsmenü aufzurufen, und drücken Sie die Taste erneut, damit sich der Fokus auf der Option Program + oder Program - befindet. Halten Sie die Taste 2 Sekunden lang gedrückt, um die ausgewählte Option zu aktivieren. Die Farbe des Optionssymbols ändert sich, wenn Sie die Option aktivieren. Drücken Sie dann die Taste, um zum nächsten oder vorherigen Sender in der Senderliste zu wechseln.

**So ändern Sie die Quelle:** Drücken Sie die Steuertaste, um das Funktionsmenü aufzurufen, und drücken Sie die Taste erneut, damit sich der Fokus auf der Option **Quelle** befindet. Halten Sie die Taste 2 Sekunden lang gedrückt, um diese Option zu aktivieren. Die Farbe des Optionssymbols ändert sich, wenn Sie die Option aktivieren. Drücken Sie dann die Taste erneut, um die Liste der Quellen anzuzeigen. Gehen Sie die verfügbaren Quellen durch, indem Sie die Taste drücken. Das Fernsehgerät schaltet automatisch auf die markierte Quelle um.

**Bemerkung:** Das OSD-Hauptmenü kann nicht über die Steuertaste aufgerufen werden.

## Fernsteuerung

Drücken Sie die Taste **Menu** auf der Fernbedienung, um das Hauptmenü aufzurufen. Verwenden Sie die Richtungstasten und die Taste **OK**, um zu navigieren und Einstellungen vorzunehmen. Drücken Sie die Taste **BACK (Zurück)** oder **Menu**, um das Bildschirmmenü zu verlassen.

## Auswahl des Eingangs

Wenn Sie alle externen Geräte an Ihr Fernsehgerät angeschlossen haben, können Sie zu verschiedenen Eingangsquellen wechseln. Drücken Sie die Taste **Quelle** auf der Fernbedienung, um die Quelle direkt auszuwählen.

## Ändern von Sendern und Lautstärke

Verwenden Sie die Tasten **Lautstärke +/-** und **Programm +/-** auf der Fernbedienung, um die Lautstärke einzustellen und den Sender zu wechseln.

## Zurücksetzen und Abschalten mit der Standby-Taste

Halten Sie die Standby-Taste gedrückt, um die anderen Aktionen für diese Taste anzuzeigen. Die Optionen Reset (Neustart), Standby-Modus (Normaler Standby-Modus) und Abschalten (Erzwungener Standby-Modus) sind verfügbar. Markieren Sie eine Option und drücken Sie **OK**, um die ausgewählte Aktion auszuführen. Wenn es ein Problem gibt, das verhindert, dass das Fernsehgerät korrekt in den Standby-Modus wechselt, können Sie die Option Abschalten verwenden, um das Fernsehgerät in den Standby-Modus zu versetzen.



Wenn Ihr Fernsehgerät nicht mehr auf Befehle reagiert und das Aktionsmenü nicht angezeigt werden kann, wird das Fernsehgerät neu gestartet, wenn Sie die Taste etwa 5 Sekunden lang gedrückt halten. Damit wird der Vorgang beendet.

## Verwenden des TV-Hauptmenüs

Wenn Sie die Taste **Menu** drücken, wird das Hauptmenü des Fernsehers auf dem Bildschirm angezeigt. Verwenden Sie die Richtungstasten auf der Fernbedienung, um im Menü zu navigieren. Um eine Funktion auszuwählen oder ein Seitenmenü zu erweitern, markieren Sie die Registerkarte und drücken Sie **OK**. Wenn Sie eine der Hauptmenüoptionen markieren, kann ein Seitenmenü am oberen Rand des Bildschirms erscheinen, um den Zugriff zu beschleunigen. Um den Schnellzugriff zu verwenden, markieren Sie Ihre Auswahl, drücken Sie **OK** und verwenden Sie die Richtungstasten Links/Rechts, um sie einzustellen. Wenn Sie fertig sind, drücken Sie die Taste **OK** oder **BACK (Zurück)**, um das Menü zu verlassen.

Auf dem Hauptmenübildschirm des Fernsehers können Sie außerdem Informationen zu Standort, Wetter, Uhrzeit und Datum abrufen. Kleine grüne Symbole zeigen den aktuellen Status der Zeit, des Netzwerks und der App-Synchronisierung an. Wenn diese Symbole in grüner Farbe erscheinen, bedeutet dies, dass die Zeitinformationen aktualisiert wurden, das Netzwerk verbunden ist und die Synchronisierung erfolgreich abgeschlossen wurde. Andernfalls werden die Symbole in Weiß angezeigt.

Je nach der bei der Erstinstallation getroffenen Länderauswahl können Sie die Lebensdauer des Fernsehers in Stunden anzeigen, indem Sie die Taste **Menu** und dann die Blaue Taste drücken. Aufgrund der Qualität unserer Produkte werden die Fernsehgeräte vor der Markteinführung strengen Tests unterzogen, so dass es möglich ist, dass dieser Wert bei der Erstinstallation nicht Null ist.

Drücken Sie die Taste **Exit**, um das Menü zu schließen und zu verlassen.

## Mein TV

Wenn das Hauptmenü geöffnet ist, wird die Menüleiste **Mein TV** markiert. Der Inhalt von **Mein TV** kann individuell angepasst werden. Rufen Sie das TV-Menü auf, markieren Sie die Option **Startseite bearbeiten** und drücken Sie **OK**. Das Menü **Mein TV** wechselt in den Bearbeitungsmodus. Im Bearbeitungsmodus können Sie jeden Menüpunkt im Menü **Mein TV** löschen oder neu positionieren. Markieren Sie diese Funktion und drücken Sie **OK**. Wählen Sie **Löschen** oder Verschieben und drücken Sie **OK**. Um einen Menüpunkt zu verschieben, wählen Sie mit den Richtungstasten die Richtung aus, in die Sie den Menüpunkt verschieben möchten, und bestätigen Sie mit **OK**.

Sie können auch Optionen aus anderen Menüs zu **Mein TV** hinzufügen. Markieren Sie einfach die Option und drücken Sie die Richtungstaste Nach unten auf der Fernbedienung. Wenn Sie zu **Mein TV hinzufügen** sehen, können Sie diese Funktion zum Menü **Mein TV** hinzufügen.

## Suche

Mit dieser Option können Sie nach Sendern, Programmführer, TV-Angeboten, Apps, Web, YouTube und Videos suchen. Drücken Sie **OK** und geben Sie das Schlüsselwort über die virtuelle Tastatur oder das Tastatenfeld der Fernbedienung ein. Markieren Sie dann **OK** und drücken Sie **OK**, um die Suche zu starten. Das Ergebnis wird auf dem Bildschirm angezeigt. Verwenden Sie die Richtungstasten, um das gewünschte Ergebnis auszuwählen, und drücken Sie **OK**, um es zu öffnen.

## TV

### Programmführer

Verwenden Sie diese Option, um den elektronischen Programmführer aufzurufen. Weitere Informationen finden Sie im **elektronischen Programmführer**.

### Sender

Verwenden Sie diese Option, um das Menü **Sender** aufzurufen. Weitere Informationen finden Sie unter **Senderliste verwenden**.

### Timer

Verwenden Sie die Optionen in diesem Menü, um Timer für zukünftige Ereignisse einzustellen. In diesem Menü können Sie auch bereits erstellte Timer erneut aufrufen. Um einen neuen Timer hinzuzufügen, wählen Sie die Registerkarte Timer hinzuzufügen, indem Sie auf Links/Rechts drücken, und bestätigen Sie mit **OK**. Stellen Sie

die Optionen des Seitenmenüs wie gewünscht ein und bestätigen Sie zum Beenden **mit OK**. Es wird ein neuer Timer erstellt. Um einen zuvor erstellten Timer zu bearbeiten, markieren Sie ihn, wählen Sie die Registerkarte Ausgewählten Timer bearbeiten und bestätigen Sie mit **OK**. Ändern Sie die Optionen im Seitenmenü wie gewünscht und bestätigen Sie **OK**, um die Einstellungen zu speichern.

Um einen zuvor erstellten Timer zu löschen, markieren Sie ihn, wählen Sie die Registerkarte Ausgewählten Timer löschen und bestätigen Sie mit **OK**. Ein Bestätigungsdialog erscheint. Markieren Sie Ja und drücken Sie **OK**, um fortzufahren. Der Timer wird abgebrochen.

Es ist nicht möglich, Timer für zwei oder mehrere Programme auf einzelnen Sendern einzustellen, die im gleichen Zeitintervall ausgestrahlt werden. In diesem Fall werden Sie aufgefordert, einen der Timer zu löschen. Markieren Sie den Timer, den Sie löschen möchten, und bestätigen Sie **OK**, das Menü Optionen wird angezeigt. Markieren Sie dann Einstellen/ Löschen und bestätigen Sie mit **OK**, der Timer wird gelöscht. Anschließend müssen Sie Ihre Änderungen speichern. Drücken Sie dazu **OK**, markieren Sie Änderungen speichern und bestätigen Sie erneut mit **OK**.

### Andere Apps

Mit dieser Option können Sie die auf Ihrem Fernseher installierten Apps verwalten. Markieren Sie und drücken Sie **OK**. Sie können eine installierte App zum Menü **Mein TV** hinzufügen, sie starten oder löschen. Markieren Sie die App und drücken Sie **OK**, um die verfügbaren Optionen anzuzeigen.

### Shop

Verwenden Sie diese Option, um neue Apps aus dem App-Markt hinzuzufügen. Markieren Sie und drücken Sie **OK**. Die verfügbaren Apps werden angezeigt. Sie können auch über das Menü Weitere Apps auf den App-Markt zugreifen.

### Einstellungen für Behinderte

Mit dieser Option gelangen Sie direkt in das Menü für die Zugriffseinstellungen.

### Datenschutz-Einstellungen

Diese Option führt Sie direkt zum Menü für die Datenschutz-Einstellungen. Diese Funktion steht bei der Erstinstallation möglicherweise nicht zur Verfügung, je nach gewähltem TV-Modell und Land.

### Einstellung

Verwenden Sie die Optionen in diesem Menü, um Ihr Fernsehgerät zu bedienen. Weitere Informationen finden Sie unter **Inhalt des Menüs Einstellungen**.

Verwenden Sie die Option **App zurücksetzen**, um Ihre Anpassungen im Menü **Mein TV** auf die Standardwerte zurückzusetzen (die Verfügbarkeit hängt von Ihrem TV-Modell und den Funktionen ab). Markieren Sie und drücken Sie **OK**. Ein Bestätigungsdialog erscheint. Markieren Sie Ja und drücken Sie **OK**, um fortzufahren. Wir weisen Sie darauf hin, dass Sie diesen Vorgang in den nächsten Minuten nicht erneut durchführen können.

### Quellen

Mit den Optionen in diesem Menü können Sie die Vorwahlen für die Eingangsquelle verwalten. Um eine bestehende Quelle zu ändern, markieren Sie die gewünschte Quelle und bestätigen Sie mit **OK**.

### Einstellung der Quelle

Diese Option führt Sie direkt zum Menü für die Quelleneinstellungen. Hier können Sie Namen ändern und ausgewählte Quellen aktivieren oder deaktivieren.

## Einlegen der Batterien in die Fernbedienung

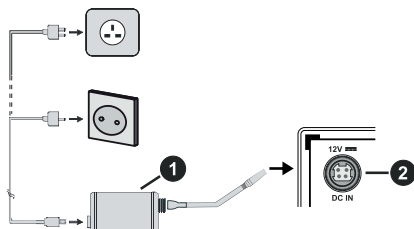
Der Batteriefachdeckel kann gegen unbeabsichtigtes Öffnen gesichert werden. Stecken Sie zum Entriegeln einen stumpfen, spitzen Gegenstand (z. B. eine Büroklammer) in das Loch über der Abdeckung und drücken Sie ihn hinein. Schieben Sie gleichzeitig die Abdeckung in die durch den Pfeil angezeigte Richtung. Legen Sie zwei 1,5 V AAA-Batterien ein. Stellen Sie sicher, dass die Markierungen (+) und (-) übereinstimmen (achten Sie auf die richtige Polarität). Mischen Sie nicht alte und neue Batterien. Ersetzen Sie sie nur durch denselben oder einen gleichwertigen Typ. Setzen Sie die Abdeckung wieder auf und befestigen Sie sie mit der Schraube. Wenn die Batterien fast leer sind und ausgetauscht werden müssen, erscheint eine Meldung auf dem Display. Beachten Sie, dass bei niedrigem Batteriestand die Leistung der Fernbedienung beeinträchtigt sein kann. Die Batterien dürfen nicht übermäßiger Hitze ausgesetzt werden, z. B. durch Sonnenlicht, Feuer usw.

## TV-ANSCHLUSS

### Netzwerk-Anschluss

**WICHTIG:** Das Fernsehgerät ist für den Betrieb mit 12 V Gleichstrom ausgelegt. Daher wird ein Adapter verwendet, der eine Spannung von 12 V liefert. Schließen Sie diesen Adapter an ein Netz an, das 100-240V AC, 50/60Hz liefert.

Lassen Sie das Fernsehgerät nach dem Auspacken auf Raumtemperatur kommen, bevor Sie es anschließen.



1. Netzteil
2. Anschluss der DC 12 V Eingangsklemme

### Wichtige Sicherheitshinweise

#### Achten Sie auf eine korrekte Erdung der Verkabelung

Verbinden Sie den Erdungsanschluss des Netzteils über das mitgelieferte Netzkabel mit dem Erdungsanschluss der Steckdose. Wenn das Kabelende nicht in die Steckdose gesteckt werden kann, wenden Sie sich an einen Elektriker, um Ihre alte Steckdose zu ersetzen.

Vergessen Sie nicht, die Erdung anzuschließen.



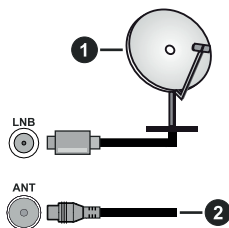
### Antennenanschluss

Schließen Sie die Antenne oder den Kabelfernsehstecker an die Buchse ANTENNENEINGANG (ANT) oder den Satelliten an die Buchse SAT-EINGANG (LNB) an der Vorderseite des Fernsehers an.

#### Die Rückseite des Fernsehers

1. Satellit
2. Antenne oder Kabel

**Hinweis:** Wenn Sie ein Gerät an das Fernsehgerät anschließen möchten, stellen Sie sicher, dass das Fernsehgerät und das Gerät ausgeschaltet sind, bevor Sie eine Verbindung herstellen. Sobald die Verbindung hergestellt ist, können Sie die Geräte einschalten, um sie zu benutzen.



#### Merkmale des Wireless LAN-Senders

Frequenzbereich	Maximale Ausgangsleistung
2400 - 2483,5 MHz (CH1-CH13)	< 100 mW
5150 - 5250 MHz (CH36 - CH48)	< 200 mW
5250 - 5350 MHz (CH52 - CH64)	< 200 mW
5470 - 5725 MHz (CH100 - CH140)	< 200 mW





















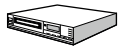



#### Beschränkungen nach Ländern






Dieses Gerät ist für den Heim- und Bürogebrauch in allen EU-Ländern (und anderen Ländern, die die entsprechenden EU-Richtlinien anwenden) bestimmt. Das 5,15-5,35-GHz-Band ist in den EU-Ländern auf die Nutzung in Gebäuden beschränkt.

Landschaft	Beschränkungen
Bulgarien	Für Nutzungen im Freien und Versorgungseinrichtungen ist eine allgemeine Genehmigung erforderlich
Italien	Wird es außerhalb des eigenen Betriebsgeländes verwendet, ist eine allgemeine Genehmigung erforderlich. Die öffentliche Nutzung unterliegt der allgemeinen Genehmigung durch den jeweiligen Diensteanbieter.
Griechenland	Nur für den Innenbereich im Frequenzbereich von 5470 MHz bis 5725 MHz
Luxemburg	Eine Allgemeingenehmigung ist für die Bereitstellung von Netzen und Diensten (nicht von Frequenzen) erforderlich
Norwegen	In einem Umkreis von 20 km um das Zentrum von Ny-Alesund ist die Funkübertragung verboten
Russische Föderation	Nur für Innenräume geeignet
Israel	5-GHz-Band nur für den Bereich 5180 MHz - 5320 MHz

Die Anforderungen für jedes Land können jederzeit geändert werden. Es wird empfohlen, dass sich der Benutzer bei den örtlichen Behörden über den aktuellen Stand der nationalen Vorschriften für drahtlose 5-GHz-LANs informiert.

## Verfügbare Anschlüsse

Verbindung	Typ	Kabel	Gerät
	VGA-Anschluss (Rückseite)		
	PC/YPbPr-Audioanschluss (Rückseite)	 YPbPr/PC-Audiokabel	
	HDMI-Anschluss (seitlich und hinten)		
<b>SPDIF</b> 	SPDIF (koaxialer Ausgang, Rückseite)		
	AV Rückseite (Audio/Video) Anschluss		
	Kopfhörerbuchse (Seite)		
<b>YPBPR</b> 	YPbPr-Videoanschluss (Rückseite)	 PC für YPbPr-Verbindungskabel	
	USB-Anschluss (Seite)		

Verbindung	Typ	Kabel	Gerät
	CI-Anschluss (Seite)		
	12V DC-Anschluss (Rückseite)	12V DC Eingang	

Sie können YPbPr für das VGA-Kabel verwenden, um das YPbPr-Signal über den VGA-Eingang anzuschließen. VGA und YPbPr können nicht gleichzeitig verwendet werden. Um PC/YPbPr-Audio zu aktivieren, verwenden Sie die hinteren Audioeingänge mit dem YPbPr/PC-Audiokabel, um das Audio anzuschließen. Wenn Sie das Wandmontage-Kit verwenden (im Fachhandel erhältlich, falls nicht im Lieferumfang enthalten), empfehlen wir Ihnen, alle Kabel vor der Wandmontage an der Rückseite des Fernsehers anzuschließen. Setzen Sie die CI-Einheit nur ein oder entfernen Sie es nur, wenn das Fernsehgerät ausgeschaltet ist. Einzelheiten zur Einrichtung entnehmen Sie bitte der Bedienungsanleitung des Moduls. Jeder USB-Eingang des Fernsehers unterstützt Geräte mit bis zu 500 mA. Der Anschluss von Geräten mit mehr als 500 mA kann Ihr Fernsehgerät beschädigen. Wenn Sie Ihr Gerät über ein HDMI-Kabel mit ausreichender Störfestigkeit an Ihr Fernsehgerät anschließen, müssen Sie ein abgeschirmtes HDMI-Kabel mit einem hochwertigen HDMI-Kabel verwenden.

**HINWEIS:** Wenn Sie ein Gerät an das Fernsehgerät anschließen möchten, stellen Sie sicher, dass das Fernsehgerät und das Gerät ausgeschaltet sind, bevor Sie eine Verbindung herstellen. Sobald die Verbindung hergestellt ist, können Sie die Geräte einschalten und benutzen

## INSTALLATION UND EINRICHTUNG

### Erstmalige Installation

Wenn Sie das Gerät zum ersten Mal einschalten, erscheint der Auswahlbildschirm. Wählen Sie die Sprache und drücken Sie **OK**. Verwenden Sie in den folgenden Schritten des Installationsassistenten die Richtungstasten und die Taste **OK**, um Ihre Einstellungen vorzunehmen.

Nachdem Sie die Sprache ausgewählt haben, werden Sie gefragt, ob Sie die Zugriffseinstellungen ändern möchten. Markieren Sie **Ja** und drücken Sie zum Ändern **OK**. Ausführliche Informationen zu den verfügbaren Optionen finden Sie unter Inhalt des Systemmenüs.

Legen Sie auf dem nächsten Bildschirm Ihre Ländereinstellungen fest. Je nach Ihren Ländereinstellungen werden Sie zu diesem Zeitpunkt möglicherweise aufgefordert, Ihren PIN-Code einzugeben und zu bestätigen. Der gewählte PIN-Code kann nicht 0000 sein. Sie müssen sie später immer dann eingeben, wenn Sie bei der Bedienung des Menüs zur Eingabe des PIN-Codes aufgefordert werden.

**Bemerkung:** Der Typ des M7-Anbieters (digitaler Satellitendienstanbieter) wird entsprechend der bei der Erstinstallation getroffenen Sprach- und Länderauswahl festgelegt.

An dieser Stelle können Sie den **Modus Shop** aktivieren. Diese Option konfiguriert die Speichereinstellungen Ihres Fernsehgeräts und wird je nach Fernsehgerätemodell verwendet, bei dem die unterstützten Funktionen als Informationsbanner am oberen Rand des Bildschirms angezeigt werden können. Diese Option ist nur für Ausstellungszwecke im Geschäft gedacht. Für den Heimgebrauch empfiehlt es sich, den Home-Modus zu wählen. Diese Option ist unter **Einstellungen > System > Mehr** verfügbar, und Sie können Ihre Präferenzen für diese Einstellung später ändern. Spezifizieren Sie Ihre Wahl und drücken Sie **OK**, um fortzufahren.

Der Bildschirm zur Auswahl des Bildmodus wird angezeigt. Wenn Sie möchten, dass Ihr Fernsehgerät weniger Energie verbraucht und umweltfreundlicher ist, wählen Sie die Option Natürlich und drücken Sie **OK**, um fortzufahren. Sie können Ihre Auswahl später über die Option Modus in **Einstellungen > Bild** ändern.

An dieser Stelle wird je nach Fernsehmodell das Menü Datenschutzeinstellungen angezeigt. In diesem Menü können Sie Ihre Berechtigungen festlegen. Markieren Sie eine Funktion und drücken Sie **OK**, um sie ein- oder auszuschalten. Bevor Sie Änderungen vornehmen, lesen Sie bitte sorgfältig die entsprechenden Erläuterun-

gen zu jeder markierten Funktion auf dem Bildschirm. Drücken Sie die rechte Richtungstaste, um den Text zu markieren, und verwenden Sie die Richtungstasten Programm +/- oder Nach oben/nach unten, um nach oben oder unten zu blättern und den gesamten Text zu lesen. Sie können Ihre Einstellungen später jederzeit unter **Einstellungen > System > Datenschutz > Datenschutzeinstellungen** ändern. Wenn die **Internetverbindung** deaktiviert ist, wird der Bildschirm Netzwerk-/Interneteinstellungen übersprungen und nicht angezeigt. Markieren Sie die Taste **Weiter** und drücken Sie die Taste **OK** auf der Fernbedienung, um fortzufahren. Das Menü **Netzwerk-/Interneteinstellungen** wird auf dem Bildschirm angezeigt. Um die Netzwerkverbindung zu konfigurieren, siehe Abschnitt Verbindung. Wenn Sie möchten, dass Ihr Fernsehgerät im Standby-Modus weniger Strom verbraucht, können Sie die Funktion **Netzwerk-Standby-Modus** deaktivieren, indem Sie sie auf Aus stellen. Wenn Sie die Einstellungen abgeschlossen haben, markieren Sie die Taste Weiter und drücken Sie **OK**, um fortzufahren.

Auf dem nächsten Bildschirm können Sie die Art der zu suchenden Sendungen, die verschlüsselte Sendersuche und die Zeitzoneneinstellungen (je nach ausgewähltem Land) festlegen. Darüber hinaus können Sie die Art der Sendung als Favorit festlegen. Während des Suchlaufs hat der gewählte Sendetyp Vorrang und die Sender werden oben in der Senderliste aufgeführt. Wenn Sie fertig sind, markieren Sie die Taste Weiter und drücken Sie **OK**, um fortzufahren.

## Über die Wahl der Art der Übertragung

Um die Suche nach einer bestimmten Art von Sendung zu starten, markieren Sie diese und drücken Sie **OK**. Das Kontrollkästchen für die ausgewählte Option wird angekreuzt. Um die Suchoption auszuschalten, entfernen Sie das Häkchen im Kontrollkästchen mit der Taste **OK**, nachdem Sie Ihren Fokus auf die gewünschte Option für den Sendetyp gelegt haben.

**Digitale Antenne:** Wenn die Suchoption D Antennensendung aktiviert ist, sucht das Fernsehgerät nach Abschluss der anderen Ersteinstellungen nach digitalen terrestrischen Sendungen.

**Digitales Kabel:** Wenn die Suchoption D Kabelsendung aktiviert ist, sucht das Fernsehgerät nach Abschluss der anderen Ersteinstellungen nach digitalem Kabel. Bevor Sie die Suche starten, werden Sie in einer Meldung gefragt, ob Sie die Suche im Kabelnetzwerk durchsuchen möchten. Wenn Sie Ja wählen und **OK** drücken, können Sie auf dem folgenden Bildschirm das Netzwerk auswählen oder Werte wie Frequenz, Netz-ID und Suchschritt einstellen. Wenn Sie Nein wählen und **OK** drücken, können Sie auf dem folgenden Bildschirm die Startfrequenz, die Stoppfrequenz und den Suchschritt einstellen. Wenn Sie fertig sind, markieren Sie die Taste Weiter und drücken Sie **OK**, um fortzufahren.

**Bemerkung:** Die Suchzeit variiert je nach den ausgewählten Suchschritten.

**Satellit:** Wenn die Suchoption Satellitensender aktiviert ist, sucht das Fernsehgerät nach Abschluss der anderen Ersteinstellungen nach digitalen Satellitensendungen. Bevor Sie eine Satellitensuche durchführen, müssen Sie einige Einstellungen vornehmen. Es erscheint ein Menü, in dem Sie wählen können, ob Sie die Installation des M7-Anbieters oder eine Standardinstallation starten möchten. Um eine Installation des M7-Anbieters zu starten, stellen Sie den Installationstyp auf Anbieter und den Satelliten-Anbieter auf den entsprechenden M7-Anbieter ein. Markieren Sie dann die Option Suchlaufvorgaben und stellen Sie sie auf automatische Sendersuche ein, und drücken Sie **OK**, um die automatische Suche zu starten. Diese Optionen können in Abhängigkeit von den Sprach- und Länderoptionen, die Sie in den vorherigen Schritten der Erstinstallation ausgewählt haben, vorausgewählt werden. Je nach dem Typ Ihres M7-Anbieters werden Sie möglicherweise aufgefordert, die HD/SD-Liste oder die Senderliste nach Land auszuwählen. Wählen Sie eine davon aus und drücken Sie **OK**, um fortzufahren.

Warten Sie, bis der Suchlauf abgeschlossen ist. Jetzt ist die Liste installiert.

Wenn Sie während der Installation des M7-Anbieters Parameter für die Satelliteninstallation verwenden möchten, die von den Standardeinstellungen abweichen, wählen Sie Bevorzugter Suchlauf als manuelle Programmsuche und drücken Sie **OK**, um fortzufahren. Danach wird der Antennentyp angezeigt. Nachdem Sie in den folgenden Schritten den Antennentyp und den gewünschten Satelliten ausgewählt haben, drücken Sie die **OK**, um die Installationsparameter des Satelliten im eingefügten Menü zu ändern.

Für die Suche nach anderen Sendern, wie z. B. M7-Sendern, müssen Sie die Standardinstallation ausführen. Wählen Sie als Installationstyp Standard und drücken Sie **OK**, um fortzufahren. Danach wird der Antennentyp angezeigt.

Es gibt drei Optionen für die Antennenauswahl. Sie können den Antennentyp Direct, Einfaches Satellitenkabelsystem oder DiSEqC Switch mit den Tasten Links und Rechts auswählen. Um die folgenden Optionen anzuzeigen, drücken Sie nach der Auswahl Ihrer Antenne auf **OK**. Die Optionen zum Fortfahren werden angezeigt,

### Transponderliste und LNB-Konfiguration

Verwenden Sie die entsprechenden Menüoptionen, um die Transponder- und LNB-Einstellungen zu ändern.

- **Direkt:** Wenn Sie einen einzelnen Empfänger und eine direkte Satellitenschüssel haben, wählen Sie diesen Antennentyp. Drücken Sie **OK**, um fortzufahren. Wählen Sie auf dem folgenden Bildschirm einen verfügbaren Satelliten aus und drücken Sie **OK**, um nach Diensten zu suchen.
- **Einfaches Satellitenkabelsystem:** Wählen Sie diesen Antennentyp, wenn Sie mehrere Empfänger und ein einfaches Satellitenkabelsystem haben. Drücken Sie **OK**, um fortzufahren. Konfigurieren Sie die Einstellungen gemäß den Anweisungen auf dem folgenden Bildschirm. Drücken Sie **OK**, um nach Diensten zu suchen.
- **DiSEqC Switch:** Wenn Sie mehrere Satelliten und einen DiSEqC Switch haben, wählen Sie diesen Antennentyp. Stellen Sie dann die DiSEqC-Version ein und fahren Sie fort, indem Sie die Taste **OK** drücken. Auf dem nächsten Bildschirm können Sie bis zu vier Satelliten (falls verfügbar) für die Version v1.0 und sechzehn Satelliten für die Version v1.1 einstellen. Drücken Sie **OK**, um den ersten Satelliten in der Liste zu suchen.

**Analoges Fernsehen:** Wenn die Suchoption Analogsignal aktiviert ist, sucht das Fernsehgerät nach Abschluss der anderen Ersteinstellungen nach Analogsignal. Sobald die Ersteinstellungen abgeschlossen sind, beginnt das Fernsehgerät mit der Suche nach verfügbaren Sendungen der ausgewählten Sendertypen. Während der Suche werden die aktuellen Ergebnisse am unteren Rand des Bildschirms angezeigt. Sobald alle verfügbaren Sender gespeichert sind, erscheint die Option Sender. Hier können Sie die Senderliste mit den Optionen auf der Registerkarte Bearbeiten nach Ihren Wünschen bearbeiten oder die Taste **Menu** drücken, um den Vorgang zu beenden und die Fernsehsendung anzusehen.

Während der Suche wird eine Meldung angezeigt, in der Sie gefragt werden, ob Sie die Sender nach LCN\* sortieren möchten. Wählen Sie Ja und drücken Sie zur Bestätigung **OK**.

\*LCN (Logical Channel Number) ist eine Funktion, mit der Sender automatisch nach ihren Nummern in der vom Dienstanbieter festgelegten Reihenfolge angeordnet werden können

### Bemerkungen:

- Um nach der Erstinstallation nach M7-Sendern zu suchen, müssen Sie die Erstinstallation erneut durchführen. Oder drücken Sie die Taste **Menu** und rufen Sie **Einstellungen > Installation > Automatische Programmsuche > Satellit** auf. Führen Sie dann dieselben Schritte aus, die oben im Abschnitt über die Satelliten beschrieben wurden.
- Schalten Sie das Fernsehgerät nicht aus, während die Erstinstallation durchgeführt wird. Beachten Sie, dass einige Optionen je nach Land nicht verfügbar sind.

### Media Playback über USB-Eingang

Sie können eine externe 2,5"- und 3,5"-Zoll-Festplatte (HDD mit externer Stromversorgung) oder einen USB-Speicher an den seitlichen USB-Eingang des Fernsehers anschließen.

**WICHTIG!** Sichern Sie Ihre Dateien auf dem Speichergerät, bevor Sie es an Ihr Fernsehgerät anschließen. Der Hersteller haftet nicht für Schäden oder Datenverluste. Einige Arten von USB-Geräten (z. B. MP3-Player) oder USB-Festplatten/Speicherkarten sind möglicherweise nicht mit diesem Fernsehgerät kompatibel. Der Fernseher unterstützt die Festplattenformate FAT32 und NTFS.

Warten Sie vor jedem Verbinden und Trennen der Verbindung einen Moment, da der Player möglicherweise noch Dateien liest. Die Nichtbeachtung dieser Anweisung kann zu physischen Schäden am USB-Player und am USB-Gerät führen. Entfernen Sie den USB-Speicher nicht, während die Datei abgespielt wird.

Sie können einen USB-Hub verwenden. Es werden Festplatten mit externer Stromversorgung empfohlen. Wenn Sie eine USB-Festplatte anschließen, schließen Sie sie direkt an.





**Bemerkung:** Bei der Anzeige von Bilddateien kann das Menü des Medienbrowsers nur 1000 Bilder anzeigen, die auf dem angeschlossenen USB-Gerät gespeichert sind.

## Mediabrowser

Sie können Musik und Filme abspielen und Fotos anzeigen, die auf einem USB-Laufwerk gespeichert sind, indem Sie es an Ihr Fernsehgerät anschließen. Schließen Sie das USB-Laufwerk an einen der USB-Eingänge an der Seite des Fernsehers an.

Wenn Sie ein USB-Speichergerät an Ihr Fernsehgerät anschließen, wird die Liste der Quelle mit markiertem USBx angezeigt. Drücken Sie **OK**, das Menü des Medienbrowsers erscheint auf dem Bildschirm. Wählen Sie die gewünschte Datei aus und drücken Sie **OK**, um sie anzuzeigen oder abzuspielen. Sie können den Inhalt eines angeschlossenen USB-Geräts später jederzeit über das Menü der Quelle abrufen. Sie können auch die Taste Source (**Quelle**) auf der Fernbedienung drücken und dann ein USB-Speichergerät aus der Liste der Quellen auswählen.

Verwenden Sie das Fenster **Einstellungen**, um die Präferenzen des Medienbrowsers festzulegen. Das Menü **Einstellungen** kann über die Informationsleiste aufgerufen werden, die bei der Wiedergabe einer Video- oder Audiodatei oder beim Aufrufen der Bilddatei am unteren Rand des Bildschirms erscheint. Wenn die Infoleiste ausgeblendet wird, drücken Sie die Taste **Info**, markieren Sie das Zahnradsymbol auf der rechten Seite der Infoleiste und drücken Sie **OK**. Je nach Art der Mediendatei und des Fernsehmodells und seiner Funktionen können **Bildeinstellungen**, **Audioeinstellungen**, **Medienbrowser-Einstellungen** und **Optionen** verfügbar sein. Der Inhalt dieser Menüs kann je nach der Art der gerade geöffneten Datei variieren. Während der Wiedergabe von Audiodateien ist nur das Menü **Audioeinstellungen** verfügbar.

Wiedergabe als Schleife / zufällig	
Starten Sie die Wiedergabe und aktivieren Sie Sie 	Alle Dateien in der Liste werden einmal in ihrer ursprünglichen Reihenfolge abgespielt
Starten Sie die Wiedergabe und aktivieren Sie Sie 	Die gleiche Datei wird kontinuierlich abgespielt (sie wird wiederholt)
Starten Sie die Wiedergabe und aktivieren Sie Sie 	Alle Dateien in der Liste werden einmal in zufälliger Reihenfolge abgespielt
Starten Sie die Wiedergabe und aktivieren Sie Sie 	Alle Dateien in der Liste werden einmal in der ursprünglichen Reihenfolge wiedergegeben.

Um die Funktionen in der Informationsleiste zu nutzen, markieren Sie das Funktionssymbol und drücken Sie **OK**. Um den Funktionsstatus zu ändern, markieren Sie das Funktionssymbol und drücken Sie so oft wie nötig **OK**. Wenn das Symbol mit einem roten Kreuz durchgestrichen ist, bedeutet dies, dass die Funktion nicht verfügbar ist.

## FollowMe TV

Mit Ihrem Smartphone können Sie mit der Funktion FollowMe TV die neuesten Sendungen von Ihrem Smart TV streamen. Installieren Sie die entsprechende Smart Center-App auf Ihrem Smartphone. Starten Sie die App. Weitere Informationen zur Verwendung dieser Funktion finden Sie in der Anleitung der von Ihnen verwendeten App.

**Bemerkung:** Je nach Modell unterstützt Ihr Fernsehgerät diese Funktion möglicherweise nicht. Diese App ist möglicherweise nicht mit allen mobilen Geräten kompatibel. UHD-Sender (4K, Ultra HD) werden nicht unterstützt und beide Geräte müssen mit demselben Netzwerk verbunden sein.

## CEC

Mit dieser Funktion können Sie CEC-Geräte, die über den HDMI-Anschluss angeschlossen sind, über die Fernbedienung des Fernsehers steuern.

Setzen Sie zunächst die CEC-Option unter **Einstellungen** > **Gerät** auf **Genehmigt**. Drücken Sie die Taste **Quelle** und wählen Sie den HDMI-Eingang des angeschlossenen CEC-Geräts aus dem Menü Quellenliste. Wenn ein



neues CEC-Quellgerät angeschlossen wird, wird es im Quellenmenü unter seinem eigenen Namen aufgelistet, und nicht unter dem Namen des angeschlossenen HDMI-Anschlusses (z. B. DVD-Player, Recorder 1 usw.).

Die Fernbedienung ist automatisch in der Lage, grundlegende Funktionen auszuführen, wenn die angeschlossene HDMI-Quelle ausgewählt ist. Um den Betrieb zu beenden und das Fernsehgerät wieder mit der Fernbedienung zu steuern, halten Sie die Taste „0 - Zero“ auf der Fernbedienung 3 Sekunden lang gedrückt. Sie können CEC deaktivieren, indem Sie die entsprechende Option unter **Einstellungen > Geräte** einstellen.

Das Fernsehgerät unterstützt die ARC-Funktion (Audio Return Channel). Diese Funktion ist eine Audioverbindung, die andere Kabel zwischen dem Fernsehgerät und dem Audiosystem (A/V-Receiver oder Lautsprecher-System) ersetzt.

Wenn ARC aktiviert ist, schaltet das Fernsehgerät automatisch alle Audioausgänge außer der Kopfhörerbuchse stumm und die Lautstärketasten werden auf das angeschlossene Audiogerät gerichtet. Um ARC zu aktivieren, stellen Sie den **Audioausgang** unter **Einstellungen > Audio** als **HDMI ARCEin**.

**Bemerkung:** ARC wird über den HDMI2-Eingang unterstützt.

## Steuerung des Klangs eines angeschlossenen Audiosystems

Ermöglicht die Verwendung des Audio-Verstärkers/Empfängers mit dem Fernsehgerät. Die Lautstärke kann über die Fernbedienung des Fernsehers geregelt werden. Um diese Funktion zu aktivieren, stellen Sie den Audioausgang unter **Einstellungen > Audio** als **HDMI ARCEin**. Wenn HDMI ARC ausgewählt ist, wird CEC automatisch auf Genehmigt gesetzt, wenn es nicht bereits eingestellt ist. Die Lautsprecher des Fernsehgeräts werden stummgeschaltet und der Ton der Quelle, die Sie gerade ansehen, wird über das angeschlossene Soundsystem übertragen.

**Bemerkung:** Das Audiogerät muss die Funktion System Audio Control (Kontrolle des Soundsystems) unterstützen.

## E-Bedienungsanleitung - E-Handbuch

Eine Anleitung zu den Funktionen Ihres Fernsehgeräts finden Sie in der elektronischen Bedienungsanleitung. Um das elektronische Handbuch zu verwenden, gehen Sie in das Menü **Einstellungen**, wählen Sie **Manuell** und drücken Sie **OK**. Um schnell auf das elektronische Handbuch zuzugreifen, drücken Sie die Taste **Menu** und dann die Taste **Informationen**.

Verwenden Sie die Richtungstasten, um die gewünschte Kategorie auszuwählen. Jede Kategorie enthält unterschiedliche Themen. Wählen Sie ein Thema und drücken Sie **OK**, um die Anweisungen zu lesen. Um den Bildschirm des E-Handbuchs zu schließen, drücken Sie die Taste **Exit** oder **Menu**.

**Bemerkung:** Je nach Modell unterstützt Ihr Fernsehgerät diese Funktion möglicherweise nicht. Der Inhalt des E-Handbuchs kann je nach Modell variieren.

## Inhalt des Menüs Einstellungen

Verfügbare Geräte	
<b>Virtuelle Fernbedienungen</b>	Aktiviert oder deaktiviert die virtuelle Treiberfunktion.
<b>Audio- und Videofreigabe</b>	Mit dieser Funktion können Sie auf Ihrem Smartphone oder Tablet gespeicherte Dateien freigeben. Wenn Sie ein kompatibles Smartphone oder Tablet besitzen und die nötige Software darauf installiert haben, können Sie Fotos auf Ihrem Fernseher freigeben/abspielen. Wenn Sie die Software gemeinsam nutzen, finden Sie weitere Informationen in der Anleitung.
<b>Timer ohne Signal</b>	Wenn das Fernsehgerät 3 Minuten lang kein Signal empfängt (z. B. von einer Antenne oder HDMI-Quelle), schaltet es in den Standby-Modus. Sie können diese Funktion aktivieren oder deaktivieren, indem Sie diese Option entsprechend einstellen.

<b>CEC</b>	Mit dieser Einstellung können Sie die CEC-Funktion vollständig aktivieren oder deaktivieren. Verwenden Sie die Tasten Links oder Rechts, um die ausgewählte Option zu aktivieren oder zu deaktivieren.
<b>Automatisches Einschalten von CEC</b>	Mit dieser Funktion können Sie ein HDMI-CEC-kompatibles Gerät anschließen, um das Fernsehgerät einzuschalten und automatisch zu dessen Eingangsquelle zu wechseln. Verwenden Sie die Tasten Links oder Rechts, um die ausgewählte Option zu aktivieren oder zu deaktivieren.

<b>Menu Bild</b>	
<b>Modus</b>	Der Bildmodus kann je nach Bedarf geändert werden. Der Bildmodus kann auf eine der folgenden Optionen eingestellt werden: Kino, Spiel (optional), Sport, Dynamisch und Natürlich.
<b>Kontrast</b>	Stellt die Helligkeit und Dunkelheit des Bildes ein.
<b>Helligkeit</b>	Stellt die Helligkeit des Bildschirms ein.
<b>Schärfe</b>	Stellt die Schärfe des auf dem Bildschirm angezeigten Objekts ein.
<b>Farbe</b>	Stellt die Farbe ein.
<b>Energieeinsparung</b>	Zum Einstellen des Energiesparmodus auf Benutzerdefiniert, Minimum, Mittel, Maximum, Auto, Bildschirm ausschalten oder Aus. <b>Bemerkung:</b> Je nach gewähltem Modus können die verfügbaren Optionen inaktiv sein.
<b>Hintere Hintergrundbeleuchtung</b>	Diese Einstellung steuert die Lichtstärke des Bildschirms. Die Hintergrundbeleuchtung ist aktiv, wenn die Energiesparfunktion auf eine andere Option als Benutzerdefiniert eingestellt ist.
<b>Bildformat</b>	Stellt das gewünschte Bildgrößenformat ein.
<b>Bilder verschieben</b>	Diese Option variiert je nach der Einstellung Bild zoomen. Markieren Sie die Option und drücken Sie <b>OK</b> , um das Bild mit den Richtungstasten nach oben oder unten zu verschieben.
<b>Position PC</b>	Erscheint nur, wenn die Eingangsquelle auf VGA/PC eingestellt ist.
<b>Automatische Position</b>	Wenn das Bild im VGA-Modus nicht zentriert ist, verwenden Sie diese Option, um die Bildposition automatisch anzupassen. Drücken Sie die Taste <b>OK</b> , um die automatischen Einstellungen zu starten.
<b>Horizontale Position</b>	Mit dieser Funktion wird das Bild horizontal auf der rechten oder linken Seite des Bildschirms platziert.
<b>Vertikale Position</b>	Mit dieser Funktion wird das Bild vertikal nach oben oder unten verschoben.
<b>Punkt-Taktfrequenz</b>	Durch diesen Punkt wird die Störung, die in Präsentationen mit hoher Dichte als vertikale Balken erscheint, eliminiert. Zum Beispiel Tabellen, Absätze oder Text in kleiner Schrift.
<b>Phase</b>	Je nach Eingangsquelle (Computer usw.) können Sie ein verschwommenes oder gestörtes Bild auf dem Bildschirm sehen. Sie können diese Funktion nutzen und das Bild durch Versuch und Irrtum bereinigen.

Menu Bild		
<b>Fortgeschrittene Einstellungen</b>	<b>Dynamischer Kontrast</b>	Das dynamische Kontrastverhältnis kann auf den gewünschten Wert eingestellt werden.
	<b>Farbtemperatur</b>	Stellt den gewünschten Farbtemperaturwert ein. Es stehen die Optionen Kalt, Normal, Warm und Benutzerdefiniert zur Verfügung.
	<b>Weißer Punkt</b>	Diese Einstellung ist verfügbar, wenn die Option Farbtemperatur auf Benutzerdefiniert eingestellt ist. Erhöhen Sie die „Wärme“ oder „Kühle“ des Bildes, indem Sie die linke oder rechte Taste drücken.
	<b>Verlängerung von Blau</b>	Diese Funktion dient zur Verbesserung der weißen Farbe, die die weiße Farbe kühler macht, um ein helleres Bild zu erhalten. Zum Aktivieren auf Einschalten setzen.
	<b>Micro Dimming</b>	Die Optionen Niedrig, Mittel, Hoch und Aus sind verfügbar. Wenn Micro Dimming aktiv ist, wird der Kontrast für jede definierte Zone lokal erhöht.
	<b>Rauschreduktion</b>	Die Optionen Niedrig, Mittel, Hoch und Aus sind verfügbar. Wenn das Signal schwach und das Bild verrauscht ist, verwenden Sie die Einstellung Rauschunterdrückung.
	<b>Modus Film</b>	Filme werden mit verschiedenen Bildwechselfrequenzen aufgezeichnet als normale Fernsehprogramme. Schalten Sie diese Funktion beim Verfolgen von Filmen ein, um schnell bewegte Szenen besser anzuzeigen.
	<b>Hautton</b>	Der Hautton kann zwischen -5 und 5 eingestellt werden.
	<b>Farbverschiebung</b>	Stellt den gewünschten Farbton ein.
	<b>Farbeeinstellungen</b>	Öffnet die Einstellungen des Farbtuners. Um die Werte für Farbton, Farbe und Helligkeit manuell einzustellen, setzen Sie den Farbtuner auf Aktiviert.
	<b>Gamut Mapping</b>	Mit dieser Option können Sie die auf dem Fernsehbildschirm angezeigte Farbpalette anpassen. Wenn diese Option auf Ein gesetzt ist, werden die Farben entsprechend dem Quellsignal eingestellt. Bei der Einstellung Aus wird die maximale Farbkapazität des Fernsehers standardmäßig genutzt (empfohlene Option). <b>Bemerkung:</b> Diese Option ist je nach Fernsehmodell und Ausstattung möglicherweise nicht verfügbar.
	<b>HDMI in vollem Umfang</b>	Diese Funktion ist bei der Anzeige von einer HDMI-Quelle sichtbar. Sie können diese Funktion verwenden, um die Schwarztöne im Bild zu verstärken.
	<b>Zurücksetzen</b>	Setzt das Bild auf die Werkseinstellungen zurück (außer im Modus Spiel).

Angebot Audio	
<b>Dolby Audio</b>	Smart, Film, Musik, Nachrichten und Aus werden zur Verfügung stehen. Um sie zu deaktivieren, stellen Sie sie auf Aus. <b>Bemerkung:</b> Einige Menüpunkte im Menü Audio sind ausgegraut und nicht verfügbar, wenn sie auf eine andere Option als Aus eingestellt sind.
<b>Raumakustik</b>	Der räumliche Modus kann ein- oder ausgeschaltet werden.

Angebot Audio		
<b>Audioausgabe</b>	<p>Stellt die Voreinstellung für die Audioausgabe ein. Die Optionen TV, S/PDIF, HDMI ARC, Nur Kopfhörer und Lineout werden verfügbar sein. Es gibt keine Audioausgabe außer über die gewählte Option und die Kopfhörerbuchse.</p> <p>Wenn Sie über die Kopfhörerbuchse einen externen Verstärker an das Fernsehgerät anschließen, können Sie Lineout wählen. Wenn Sie Kopfhörer an das Fernsehgerät angeschlossen haben, wählen Sie Nur Kopfhörer. Vergewissern Sie sich vor der Verwendung von Kopfhörern, dass dieser Menüpunkt auf Nur Kopfhörer eingestellt ist. Wenn er auf Lineout eingestellt ist, wird der Ausgang der Kopfhörerbuchse auf Maximum eingestellt, was Ihr Gehör schädigen kann.</p> <p>Wenn HDMI ARC ausgewählt ist, ist die CEC-Funktion aktiviert.</p> <p><b>Bemerkung:</b> Je nach gewählter Option sind einige Menüpunkte im Menü Audio ausgegraut und nicht verfügbar.</p>	
<b>AVL (Automatische Lautstärkebegrenzung)</b>	<p>Passt den Ton an, um die Ausgangslautstärke zwischen den Programmen auszugleichen. Wenn der Menüpunkt Dolby Audio auf eine andere Option als Aus eingestellt ist, werden die AVL-Einstellungsoptionen geändert. Es stehen Optionen wie Automatisch, Nacht, Normal und Aus zur Verfügung. Im Auto-Modus schaltet das Fernsehgerät entsprechend der aktuellen Zeitinformation automatisch in den Normal- oder Nachtmodus. Wenn keine Zeitinformationen verfügbar sind, funktioniert diese Funktion immer als Normal. Wenn das Fernsehgerät in den Nachtmodus wechselt, nachdem diese Option zum ersten Mal auf Auto eingestellt wurde, wird eine Informationsleiste auf dem Bildschirm angezeigt.</p> <p>Bitte beachten Sie, dass der Nachtmodus im Vergleich zum Normalmodus eine aggressivere Kontrolle der Dynamikkompression bietet, die für ruhige Umgebungen geeignet ist.</p>	
<b>Fortgeschrittene Einstellungen</b>	<b>Equalizer</b>	Wählen Sie einen Equalizer-Modus aus. Die Benutzereinstellungen können nur im Benutzermodus geändert werden.
	<b>Dynamischer Bass</b>	Aktiviert oder deaktiviert den dynamischen Bass.
	<b>Audiomodus</b>	Sie können einen Audiomodus auswählen (sofern der angezeigte Sender diesen unterstützt).
	<b>Digitaler Audioausgang</b>	Legt den Typ des digitalen Audioausgangs fest.
	<b>Lautstärke der Kopfhörer</b>	Stellt die Lautstärke des Kopfhörers ein. Diese Option ist nicht verfügbar, wenn die Option Audioausgang nicht auf Lineout eingestellt ist. Vergewissern Sie sich vor der Verwendung des Kopfhörers, dass die Lautstärke des Kopfhörers auf einen niedrigen Pegel eingestellt ist, um Ihr Gehör nicht zu schädigen.
	<b>Ausgleichen</b>	Stellt einen ausbalancierten Sound ein. Diese Funktion ist aktiviert, wenn der Audioausgang auf TV oder Nur Kopfhörer eingestellt ist. Mit dem Menüpunkt Ausbalancieren wird das Soundsystem des Fernsehgeräts und der Kopfhörer eingestellt.
	<b>Zurücksetzen</b>	Setzt einige Audioeinstellungen auf die Werkseinstellungen zurück.

Angebot Netzwerk	
<b>Verbindungsmethode</b>	Deaktivieren Sie die Netzwerkverbindung oder setzen Sie den Verbindungstyp auf drahtloses Gerät.
<b>Drahtlose Netzwerke finden</b>	Beginnen Sie mit der Suche nach drahtlosen Netzwerken. Diese Option ist nur verfügbar, wenn der Netzwerktyp auf drahtloses Gerät eingestellt ist.

<b>Trennen</b>	Um die Verbindung zum drahtlosen Netzwerk zu trennen und das gespeicherte drahtlose Netzwerkprofil zu löschen (falls zuvor gespeichert), markieren Sie diese Option und drücken Sie <b>OK</b> . Diese Option ist nicht verfügbar, wenn Sie nicht mit einem drahtlosen Netzwerk verbunden sind. Weitere Informationen finden Sie unter Verbinden.
<b>Drücken Sie WPS an Ihrem Router</b>	Wenn Ihr Modem/Router über die WPS-Funktion verfügt, können Sie sich mit dieser Funktion direkt mit ihm verbinden. Markieren Sie diese Option und drücken Sie die Taste <b>OK</b> . Um eine Verbindung herzustellen, drücken Sie die WPS-Taste an Ihrem Modem/Router. Diese Option ist nur verfügbar, wenn der Netzwerktyp auf drahtloses Gerät eingestellt ist.
<b>Test der Verbindungsgeschwindigkeit</b>	Starten Sie einen Geschwindigkeitstest, um die Verbindungsbandbreite zu überprüfen. Wenn Sie fertig sind, wird das Ergebnis auf dem Bildschirm angezeigt.
<b>Fortgeschrittene Einstellungen</b>	Ändern Sie die IP- und DNS-Konfiguration auf Ihrem Fernsehgerät.
<b>Netzwerk-Standby-Modus</b>	Sie können diese Funktion aktivieren oder deaktivieren, indem Sie sie auf Ein oder Aus setzen.

**Bemerkung:** Weitere Informationen zu den Optionen für dieses Angebot finden Sie unter Verbinden.

<b>Angebot Installation</b>	
<b>Automatische Programmsuche (Umstimmen)</b>	Zeigt die Optionen für automatische Abstimmung an. Terrestrisch: Sucht und speichert DVB-Antennensender. Kabelfernsehen: Sucht und speichert DVB-Kabelsender. Analoges Fernsehen: Sucht und speichert analoge Sender. Satellit: Sucht und speichert Satellitensender.
<b>Manuelle Programmsuche</b>	Diese Option wird für die direkte Programmabstimmung verwendet.
<b>Abstimmung von Netzwerk-Sendern</b>	Sucht nach verbundenen Sendern im Rundfunksystem. Terrestrisch: Suche nach terrestrischen Sendern. Kabelfernsehen: Suche nach Sendern im Kabelnetz. Satellit: Suche nach Satellitensendern.
<b>Abstimmung des analogen Empfangs</b>	Sie können diese Einstellung verwenden, um die analogen Sender abzustimmen. Diese Funktion ist nicht verfügbar, wenn Sie keine analogen Sender gespeichert haben oder wenn der Sender, den Sie gerade sehen, kein analoger Sender ist.
<b>Einstellungen des Satellitene Empfangs</b>	Zeigt die Einstellungen an. Liste der Satelliten: Zeigt die verfügbaren Satelliten an. Sie können in der Liste Satelliten hinzufügen, löschen oder die Satelliteneinstellungen bearbeiten. Installation der Antenne: Sie können die Einstellungen der Satellitenschüssel ändern und / oder einen neuen Satellitensuchlauf starten.
<b>Installationseinstellungen (optional)</b>	Zeigt das Menü für die Installationseinstellungen an. Modus Suche im Standby-Modus (*): Im Standby-Modus sucht das Fernsehgerät nach neuen oder fehlenden Sendern. Es werden alle neu gefundenen Sendungen angezeigt. Dynamische Senderaktualisierung (*): Wenn diese Option auf Genehmigt gesetzt ist, werden Änderungen an der Sendung, wie z. B. Frequenz, Sendername, Untertitelsprache usw., während der Wiedergabe automatisch übernommen. * Die Verfügbarkeit hängt vom jeweiligen Modell ab.

<b>Einstellungen des Heimtransponders (*)</b>	<p>In diesem Menü können Sie die Haupt- und Sicherungsparameter des Heimtransponders bearbeiten, einschließlich der PID des entsprechenden M7-Anbieters, der zum Herunterladen der Senderliste verwendet wird. Legen Sie Ihre Vorwahlen fest und drücken Sie die Grüne Taste, um Ihre Einstellungen zu speichern. Starten Sie dann die Installation des M7-Anbieters über das Menü <b>Automatische Senderabstimmung &gt; Satellit</b>.</p> <p>* Diese Option ist nur verfügbar, wenn der M7-Anbieter installiert ist.</p>
<b>Liste mit Diensten löschen</b>	<p>Verwenden Sie diese Funktion, um gespeicherte Sender zu löschen. Diese Einstellung ist nur sichtbar, wenn das Menü Land auf Dänemark, Schweden, Norwegen oder Finnland eingestellt ist.</p>
<b>Aktives Netzwerk auswählen</b>	<p>Mit dieser Einstellung können Sie festlegen, ob Sendungen innerhalb des ausgewählten Netzwerks in der Senderliste aufgeführt werden sollen. Diese Funktion ist nur für die Länderoption Norwegen verfügbar.</p>
<b>Informationen über das Signal</b>	<p>Mit diesem Menüpunkt können Sie signalbezogene Informationen wie Signalstärke / -qualität, Netzname usw. für verfügbare Frequenzen überwachen.</p>
<b>Erstmalige Installation</b>	<p>Löscht alle gespeicherten Sender und Einstellungen und setzt das Fernsehgerät auf die Werkseinstellungen zurück.</p>

Angebotssystem		
<b>Einstellungen für Behinderte</b>	Zeigt die Optionen zur Verbesserung der Barrierefreiheit für Ihr Fernsehgerät an.	
	<b>Hoher Kontrast</b>	Erhöhen Sie den Kontrast von Menüoptionen und Texten, um sie besser lesbar zu machen. Die Optionen Weißer Text, Gelber Text und Aus werden verfügbar sein.
	<b>Schwerhörigkeit</b>	Aktiviert alle Sonderfunktionen, die von der Sendung gesendet werden.
	<b>Audio-Beschreibung</b>	Für blinde und sehbehinderte Zuschauer wird eine Tonspur abgespielt. Drücken Sie die Taste <b>OK</b> , um alle verfügbaren Optionen im Menü Audiobeschreibung anzuzeigen. Diese Funktion ist nur verfügbar, wenn der Sender sie unterstützt.
	<b>Verbesserungen des Dialogs</b>	Diese Funktion bietet zusätzliche Audioverarbeitungsoptionen zur Verbesserung des Dialogfelds. Es stehen die Optionen Niedrig, Mittel, Hoch und Aus zur Verfügung. Stellen Sie sie nach Ihren Wünschen ein.  <b>Bemerkung:</b> Diese Funktion erscheint nur dann, wenn das Eingangsaudioformat AC-4 ist und dieser Effekt nur auf den Lautsprecherausgang des Fernsehers angewendet wird.
	<b>Gesprochene Untertiteln</b>	Verwenden Sie diese Einstellung, um die Standardpräferenz für gesprochene Untertitel auszuwählen. Wenn Sie möchten, dass gesprochene Untertitel eine höhere Priorität haben als normale Untertitel, setzen Sie diese Option auf Ein. Diese Option ist je nach Fernsehmodell möglicherweise nicht verfügbar und ist nur sichtbar, wenn die Quelle auf TV eingestellt ist.
	<b>Vergrößern</b>	Ermöglicht die Verwendung einer Tastenkombination zur Vergrößerung des Bildschirms. Es stehen die Optionen Ein und Aus zur Verfügung. Aktivieren Sie sie mit On. Die Zoomunterstützung wird durch langes Drücken der Zifferntaste 5 ein- oder ausgeschaltet. Der erste Quadrant des Bildschirms oben links wird vergrößert dargestellt. Wenn die Zoomunterstützung aktiviert ist, können Sie den gezoomten Bereich durch langes Drücken der Zifferntasten 2, 4, 6, 8 nach oben, links, rechts und unten verschieben.
	<b>Minimap</b>	Die Minimap ist standardmäßig aktiviert und deaktiviert. Sie wird aktiviert, wenn Zoom aktiviert ist. Mit dieser Option wird verhindert, dass die Zoomfunktion die Minimap anzeigt.
	<b>Klickton</b>	Mit dieser Option wird der Klickton für die Tasten im TV-Menü eingestellt. Um sie zu aktivieren, setzen Sie sie auf Ein.
<b>Programme hervorheben mit</b>		

Angebotssystem	
	<p><b>[S] Untertitel</b> Wenn diese Option aktiviert ist und eine der Veranstaltungen im elektronischen Programmführer über den Zugangsdienst „Untertitel“ verfügt, werden diese Veranstaltungen in einer anderen Farbe hervorgehoben.</p> <p><b>[SL] Gebärdensprache</b> Wenn diese Option aktiviert ist und eine der Veranstaltungen im elektronischen Programmführer über den Zugangsservice „Gebärdensprache“ verfügt, werden diese Veranstaltungen in einer anderen Farbe hervorgehoben.</p> <p><b>[AD] Audiobeschreibung</b> Wenn diese Option aktiviert ist und eine Veranstaltung des elektronischen Programmführers den Zugangsservice „Audiobeschreibung“ hat, werden diese Veranstaltungen in einer anderen Farbe hervorgehoben.</p>
<b>Sprache</b>	Sie können je nach Sendung und Land eine andere Sprache einstellen.
<b>Bedingter Zugang</b>	Kontrolliert den bedingten Zugriff, falls vorhanden.
<b>Schutz personenbezogener Daten</b>	
	<p><b>Datenschutz-Einstellungen</b> Verwalten Sie Ihre Datenschutzberechtigungen für Smart TV-bezogene Apps. Drücken Sie die Taste <b>OK</b>, um das Menü aufzurufen und Ihre Einstellungen vorzunehmen.</p> <p><b>Alle Cookies anzeigen.</b> Zeigt alle gespeicherten Cookies an.</p> <p><b>Alle Cookies löschen</b> Löscht alle gespeicherten Cookies.</p> <p><b>Nicht verfolgen</b> Mit dieser Option können Sie Ihre Präferenzen für das Anzeigeverhalten von HbbTV-Diensten festlegen.</p>
<b>Einstellungen für die elterliche Kontrolle</b>	Um die Kindersicherung zu ändern, geben Sie das richtige Passwort ein. In diesem Menü können Sie ganz einfach eine Menüsperre, eine Alterssperre, eine Kindersicherung oder Anweisungen einstellen. Sie können diese Optionen auch verwenden, um eine neue PIN festzulegen oder die Standard CICAM PIN zu ändern. Bemerkung: Je nach Auswahl des Landes bei der Erstinstallation sind einige Optionen möglicherweise nicht verfügbar. Die Standard-PIN kann auf 0000 oder 1234 gesetzt werden. Wenn Sie bei der Erstinstallation eine PIN festgelegt haben (je nach Länderauswahl erforderlich), verwenden Sie die von Ihnen festgelegte PIN.
<b>Datum/Zeit</b>	Stellt Datum und Zeit ein.
<b>Quellen</b>	Hier können Sie Namen ändern und ausgewählte Quellen aktivieren oder deaktivieren.
<b>Netflix</b>	Wenn Ihr Fernsehgerät diese Funktion unterstützt, können Sie die ESN*-Nummer anzeigen und Netflix deaktivieren.  * Die ESN-Nummer ist eine Netflix-Identifikationsnummer, die speziell zur Identifizierung Ihres Fernsehers erstellt wurde.



Angebotssystem		
<b>Samba ACR</b>	Samba Interactive TV unterstützt Empfehlungen und andere Apps, indem es Daten über die von Ihnen verfolgten bestimmten Inhalte auf dem Bildschirm sammelt und das Verfolgen des Inhalts verbessert. Verwenden Sie diese Option, um auf das Einstellungsmenü von Samba Interactive TV zuzugreifen, die Nutzungsbedingungen von Samba TV und die Datenschutzrichtlinien einzusehen, Ihre Werbeeinstellungen zu verwalten usw. Für den Zugriff auf die HTML-basierten Einstellungen ist eine Internetverbindung erforderlich. Sie können interaktives Fernsehen jederzeit unter <b>Einstellungen &gt; System &gt; Datenschutz &gt; Datenschutzeinstellungen</b> aktivieren oder deaktivieren, indem Sie das Kontrollkästchen neben den entsprechenden Menüpunkten aktivieren oder deaktivieren. Diese Option ist je nach dem bei der Erstinstallation ausgewählten Land, dem Fernsehmodell und dessen Funktionen möglicherweise nicht verfügbar.	
<b>Andere Einstellungen</b>	Dadurch erhalten Sie weitere Optionen für die Einrichtung Ihres Fernsehers.	
	<b>Limitierte Anzeige</b>	Ändert das Zeitlimit für die Anzeige des Menübildschirms.
	<b>LED-Anzeige</b>	Bei der Einstellung AUS leuchtet die LED-Anzeige des Standby-Modus nicht, wenn sich das Fernsehgerät im Standby-Modus befindet.
	<b>Aktualisierung der Software</b>	Stellt sicher, dass die neueste Firmware für Ihr Fernsehgerät installiert ist. Drücken Sie OK, um die Menüoptionen anzuzeigen.
	<b>App Version</b>	Zeigt die aktuelle Version der Software an.
	<b>Automatisches Abschalten</b>	Stellen Sie die gewünschte Zeit ein, nach der das Fernsehgerät automatisch in den Standby-Modus schaltet, wenn es nicht benutzt wird. Diese Option kann von 1 bis 8 Stunden in 1-Stunden-Schritten eingestellt werden. Sie können diese Funktion auch deaktivieren, indem Sie sie auf Aus stellen.
	<b>Untertitel-Modus</b>	Mit dieser Funktion können Sie wählen, welcher Untertitel-Modus auf dem Bildschirm angezeigt werden soll (DVB-Untertitel / Videotext-Untertitel), wenn beide verfügbar sind. Der Standardwert sind der DVB-Untertitel. Diese Funktion ist nur für die Länderoption Norwegen verfügbar.
	<b>Biss-Schlüssel</b>	Biss ist ein Satellitensignal, das von einigen Sendern verwendet wird. Wenn Sie Biss-Schlüssel für die Sender eingeben müssen, können Sie diese Einstellung verwenden. Markieren Sie Biss Schlüssel und drücken Sie OK, um den Schlüssel für die gewünschte Sendung einzugeben.
	<b>Shop-Modus</b>	Wählen Sie diesen Modus für die Anzeige in Geschäften. Wenn der Modus Shop aktiviert ist, sind einige Funktionen im TV-Menü möglicherweise nicht verfügbar. Bei einigen Modellen kann auch die Option Genehmigt mit Video verfügbar sein. Wenn diese Option eingestellt ist, schaltet das Fernsehgerät in den Speichermodus und gibt die vorinstallierte Videodatei wieder.
	<b>Einschaltmodus</b>	Mit dieser Einstellung werden die Optionen für den Abschaltmodus angepasst. Die Optionen Letzter Status und Standby-Modus sind verfügbar.
<b>OSS</b>	Zeigt Lizenzinformationen für freie Software an.	

Angebotssystem		
	<b>Standard-Boot-Logo wiederherstellen</b>	Stellt das Standard-Bootlogo wieder her. Ein Bestätigungsdialog erscheint. Wählen Sie Ja und drücken Sie OK. Je nach Modell und Ausstattung Ihres Fernsehers ist diese Option möglicherweise nicht verfügbar.
	<b>Ändern Sie den dem TV-Gerät zugewiesenen Namen</b>	Verwenden Sie diese Option, um den Gerätenamen zu ändern, der zur Identifizierung Ihres Fernsehers verwendet wird, wenn das Gerät drahtlos mit dem Fernseher verbunden ist. Wenn Sie den Gerätenamen leer lassen oder wenn Sie die Erstinstallation durchführen, wird der Standardgerätename wiederhergestellt.
	<b>Priorität der App</b>	Sie können diese Option entsprechend der Priorität zwischen Broadcast-Apps und CICAM AppMMI-Apps einstellen. Wenn CICAM in das Fernsehgerät geladen wird und es einen Konflikt zwischen den Apps gibt, wird dem ausgewählten App-Typ Vorrang eingeräumt.
	<b>Informationen über das Modell</b>	Zeigt Informationen wie Modellname, Seriennummer, MAC-Adresse usw. an.

**Bemerkung:** Je nach Fernsehmodell und ausgewähltem Land sind einige Funktionen bei der Erstinstallation möglicherweise nicht verfügbar.

## BEDIENUNG DES FERNSEHERS

### Steuerung der Programmliste

TV ordnet alle gespeicherten Sender in der Senderliste an. Mit den Optionen im Menü Sender können Sie diese Senderliste bearbeiten, Favoriten oder aktive Sender einstellen. Drücken Sie die Taste **OK**, um das Menü Senderliste zu öffnen. Verwenden Sie die Optionen auf den Registerkarten **Filter** und **Bearbeiten**, um die aufgelisteten Sender zu filtern oder erweiterte Änderungen an der aktuellen Liste vorzunehmen. Um die verfügbaren Optionen anzuzeigen, markieren Sie die gewünschte Registerkarte und bestätigen Sie mit **OK**.

Um den Sender, den Sie gerade verfolgen, zu **Mein TV** hinzuzufügen, markieren Sie auf der Registerkarte **Bearbeiten** im Menü **Sender** die Option **Zu Mein TV hinzufügen**, und drücken Sie **OK**.

Bemerkung: Die Befehle An Position verschieben, **Löschen** und Titel bearbeiten im Menü TV>Sender>Bearbeiten sind für Sender, die von M7 übertragen werden, nicht verfügbar.

### Verwalten Sie Ihre Favoritenliste

Sie können vier verschiedene Listen mit Ihren Lieblingssendern erstellen. Um das Menü Sender zu öffnen, gehen Sie zu TV>Sender oder drücken Sie **OK**. Markieren Sie die Registerkarte **Bearbeiten** und bestätigen Sie sie mit **OK**, um die Bearbeitungsoptionen anzuzeigen. Wählen Sie Sender markieren//Markierung aufheben. Um den entsprechenden Sender auszuwählen, wählen Sie ihn aus und bestätigen Sie mit **OK**. Sie können mehrere Optionen wählen. Sie können alle Sender in der Liste markieren, indem Sie die Option Sender markieren/Markierung aufheben wählen. Drücken Sie dann die Taste **BACK (Zurück)**, um zu den Optionen des Menüs Bearbeiten zurückzukehren. Wählen Sie Favoriten hinzufügen/entfernen und drücken Sie **OK**. Es wird eine Liste der bevorzugten Sender angezeigt. Setzen Sie die gewünschte Listenoption auf Ein. Die ausgewählten Sender werden der Liste hinzugefügt. Um einen oder mehrere Sender aus der Favoritenliste zu entfernen, führen Sie die gleichen Schritte aus und setzen die gewünschte Option in der Liste auf Aus.

Um die Sender in der Senderliste dauerhaft nach Ihren Wünschen zu filtern, können Sie die Filterfunktion im Menü Sender verwenden. Mit den Optionen auf der Registerkarte Filter können Sie beispielsweise festlegen, dass die Liste der bevorzugten Sender jedes Mal angezeigt wird, wenn Sie die Senderliste öffnen. Die ausgewählten Filteroptionen werden oben auf dem Bildschirm des Menüs Sender angezeigt.

## Konfigurieren der Kindersicherung

Durch Auswahl des Menüs Jugendschutz kann dem Benutzer der Zugriff auf bestimmte Programme, Sender und Menüs untersagt werden. Diese Einstellungen finden Sie unter **Einstellungen > System > Einstellungen für die Kindersicherung**. Um die gesperrten Menüoptionen der Kindersicherung anzuzeigen, müssen Sie Ihre PIN eingeben. Nach Eingabe der korrekten PIN erscheint das Menü Kindersicherung.

**Optionen sperren:** Mit dieser Einstellung wird der Zugriff auf alle Menüs oder Installationsmenüs des Fernsehers aktiviert oder deaktiviert.

**Elternsperre:** Wenn diese Option aktiviert ist, erhält das Fernsehgerät Informationen über die Zugänglichkeit der ausgestrahlten Sendungen. Wenn die Sendung für Minderjährige ungeeignet ist, wird der Zugang zur Sendung gesperrt.

**Bemerkung:** Wenn die Option Land bei der Erstinstallation auf Frankreich, Italien oder Österreich eingestellt ist, wird der Standardwert für Sperren nach Alter auf 18 gesetzt.

**Kindersicherung:** Wenn diese Funktion auf EIN gesetzt ist, kann das Fernsehgerät nur mit der Fernbedienung bedient werden. In diesem Fall funktionieren die Steuertasten am Fernsehgerät nicht.

**Internet-Sperre:** Wenn diese Option auf EIN gesetzt ist, werden Apps, die das Internet nutzen, deaktiviert. Stellen Sie auf AUS, um die App wieder freizugeben.

**PIN-Code einstellen:** Legt einen neuen PIN fest.

**Standard-CICAM-PIN:** Diese Option wird grau angezeigt, wenn kein CI-Modul in den CI-Steckplatz des Fernsehers eingesetzt ist. Verwenden Sie diese Option, um die Standard-CICAM-PIN zu ändern.

**TV-PIN\*:** Durch Aktivieren oder Deaktivieren dieser Option können Sie bestimmte Sender des M7-Anbieters durch Senden von PIN-Anfragen aktivieren oder einschränken. Diese PIN-Anfragen ermöglichen den Zugang zu den Kontrollmechanismen der jeweiligen Sender. Wenn diese Option aktiviert ist, kann auf Sender, die PIN-Code-Anfragen senden, nicht ohne Eingabe des korrekten PIN-Codes zugegriffen werden.

\* Diese Option ist nur verfügbar, wenn der M7-Anbieter installiert ist.

**Bemerkung:** Die Standard-PIN kann auf 0000 oder 1234 gesetzt werden. Wenn Sie bei der Erstinstallation eine PIN festgelegt haben (je nach Länderauswahl erforderlich), verwenden Sie die von Ihnen festgelegte PIN. Wenn Sie die PIN fünfmal hintereinander falsch eingeben, wird die PIN gesperrt und Sie können 30 Minuten lang keine neue PIN eingeben. Sie können jedoch die PIN-Eingabe entsperren oder die Anzahl der Wiederholungen zurücksetzen, indem Sie das Fernsehgerät aus- und wieder einschalten.

Je nach dem bei der Erstinstallation ausgewählten Modell und/oder Land sind einige Optionen möglicherweise nicht verfügbar.

## Hotelmodus

Der Hotelmodus ist ein spezieller Modus, der einige Funktionen und Bedienelemente des Fernsehers einschränkt. So können die Kunden den Fernseher auch in Hotels, Gefängnissen und Krankenhäusern nutzen. Mögliche Einschränkungen sind folgende:

- Der Benutzer kann die Lautstärke nicht über den eingestellten Grenzwert hinaus erhöhen. Er kann einen festen Lautstärkewert einstellen.
- Der Benutzer kann die direkte Lautstärkeregelung des Kopfhörers aktivieren.
- Der Kunde kann die Anzeige von bestimmten Angeboten einschränken.
- Der Benutzer kann die Tasten am Fernsehgerät nicht benutzen.
- Der Kunde kann die Wahl der Eingangsquelle einschränken.
- Der Kunde kann den letzten Zustand des Fernsehers begrenzen.
- Der Videotext kann ein- oder ausgeschaltet werden.
- NVRAM-Daten (z. B. Dienstliste, Benutzereinstellungen usw.) können auf das USB-Gerät oder von diesem kopiert werden.
- Der Kunde kann die Verwendung der Pin8-Einstellungen einschränken.

Um das Hotelmenü aufzurufen, drücken Sie nacheinander die Tasten **Menü** und **7-9-3-5**.

## Menüpunkte im Hotelmodus

### Hotelmodus

Mit der Einstellung „Ein“ aktivieren Sie den Hotelmodus. Im Hotelmodus sind die Senderliste und das Einstellungsmenü gesperrt.

### Pin 8

Mit der Einstellung „Ein“ wird der Bildmodus entsprechend der Pin8-Daten geändert.

### Der letzte Zustand

Mit der Einstellung „Ein“ wird das Fernsehgerät in demselben Zustand gestartet, in dem es ausgeschaltet wurde. Wenn die Einstellung „Aus“ gewählt haben, bleibt das Fernsehgerät im Standby-Modus, wenn es wieder angeschlossen wird.

### Deaktivieren von Tasten

Mit der Einstellung „Ein“ deaktivieren Sie die Verwendung der Tasten am Fernsehgerät.

### Deaktivieren des Treibers

Mit der Einstellung „Ein“ verhindern Sie die Verwendung der Fernbedienung. Um diese Option zu deaktivieren, wiederholen Sie die Schritte, um das Hotelmenü zu öffnen. Die Fernbedienung funktioniert unabhängig von der Einstellung dieser Option im Standby-Modus. Wenn diese Option auf „Eingeschränkt“ eingestellt ist, sind auf der Fernbedienung nur die Tasten für die Lautstärkeregelung, den Programmdurchlauf, die Zifferntasten, die Richtungstasten, die Taste OK, die Stummschalttaste und die Standby-Taste verfügbar.

### Ausgangsquelle

Sie können die Standardquelle beim Einschalten des Fernsehers festlegen. Wählen Sie den Sender und/oder die Quelle, die beim nächsten Einschalten des Fernsehers gestartet werden soll. Zur Verfügung stehen folgende Optionen:

Auto: Das Fernsehgerät startet mit dem zuletzt gesehenen Programm (wenn das Fernsehgerät die letzte Quelle war) oder mit der letzten Quelle. TV: Das Fernsehgerät startet mit dem Kanal, den Sie im Menüpunkt „Standardkanal“ festgelegt haben. Sonstiges: Das Fernsehgerät wird mit der angegebenen Quelle (HDMI1 usw.) gestartet.

### Standard-Kanal

Sie können den Sender festlegen, der beim nächsten Einschalten des Fernsehers angezeigt werden soll (wenn „Standardquelle“ auf „TV“ eingestellt ist).

### Einstellung der Lautstärke

Drücken Sie die Taste OK, um die verfügbaren Optionen im Menü Lautstärkeeinstellungen anzuzeigen.

### Lautstärkebegrenzung – TV

Legen Sie den maximalen Lautstärkewert fest, der verwendet werden kann.

### Lautstärkebegrenzung – Kopfhörer

Stellen Sie die maximale Kopfhörerlautstärke ein, die verwendet werden kann.

### Einstellen der Lautstärke beim Einschalten

Stellen Sie auf „Ein“ um die Verwendung der Werte für die Startlautstärke zu aktivieren, die in den Menüpunkten Lautstärke – TV und Lautstärke – Kopfhörer eingestellt sind. Wenn diese Option auf „Aus“ gesetzt ist, können diese Menüpunkte nicht eingestellt werden.

### Lautstärke – TV

Stellen Sie den Lautstärkewert beim Einschalten des Fernsehers ein. Diese Option kann nicht auf einen höheren Wert als den unter „Lautstärkebegrenzung – TV“ eingestellten Wert gesetzt werden.

### Lautstärke – Kopfhörer

Einstellen der Lautstärke, wenn das Fernsehgerät mit angeschlossenem Kopfhörer eingeschaltet ist. Diese Option kann nicht auf einen höheren Wert als den unter „Lautstärkebegrenzung – Kopfhörer“ eingestellten Wert gesetzt werden.

### Eine feste Lautstärke einstellen

Stellen Sie auf „Ein“, um den festen Lautstärkewert zu aktivieren, der unter dem Menüpunkt „Fester Lautstärkewert“ eingestellt ist.

### Fester Lautstärkewert

Legen Sie einen festen Lautstärkewert fest. Diese Option kann nicht auf einen höheren Wert als den unter „Lautstärkebegrenzung – TV“ eingestellten Wert gesetzt werden.

### **Direkte Kopfhörerlautstärke**

Stellen Sie „Aktiviert“ ein, um die Lautstärke des Kopfhörers mit der Fernbedienung zu steuern. Wenn diese Funktion aktiviert ist, können die Lautstärketasten den Hauptton des Fernsehers nicht verändern. Sie können den Fernsehton mit den Richtungstasten links/rechts auf der Fernbedienung ändern.

**Bemerkung:** Wenn eine der Optionen **Lautstärke – TV** und **Feste Lautstärke** auf „Ein“ eingestellt ist, kann die andere nicht eingestellt werden.

### **Einschränkungen bei der Menüanzeige**

Der Standardwert ist auf „**Menüeinstellungen deaktivieren**“ für den Hotelmodus eingestellt. Wenn Sie diesen Punkt auf „**Alle Menüs deaktivieren**“ setzen, können Sie den Zugang zu allen Menüs sperren. Sie können diese Funktion auch deaktivieren, indem Sie „Aus“ einstellen.

Die folgenden Einstellungsmenüs werden ausgeblendet: Einstellungsmenü: Netzwerk, Installation

### **Teletext**

Stellen Sie diesen Punkt auf „Ein“ oder „Aus“ können Sie Teletextdienste (oder MHEG, falls verfügbar) aktivieren oder deaktivieren.

### **Auf USB kopieren**

Mit dieser Option können Sie die NVRAM-Daten (Dienstliste, Einstellungen usw.) und das Begrüßungsbild im Format "hotel\_wel.png" auf das USB-Gerät kopieren. Markieren Sie Auf USB kopieren und drücken Sie die Taste OK, um diese Dateien vom Fernsehgerät auf USB zu kopieren. Auf dem USB-Gerät wird ein Ordner mit dem Namen "clonexxxx" erstellt und die Dateien werden in diesem Ordner gespeichert.

### **Von USB kopieren**

Verwenden Sie diese Option, um NVRAM-Daten (Serviceliste, Voreinstellungen usw.) und das Begrüßungsbild vom USB-Gerät zu kopieren. Markieren Sie **Von USB kopieren** und drücken Sie OK, wählen Sie das Verzeichnis mit dem Namen „clonexxxxxx“ und drücken Sie erneut OK, um die NVRAM-Datendateien von USB auf den Fernseher zu kopieren.

Das Begrüßungsbild sollte den Namen „hotel\_wel.png“ tragen und in einem Verzeichnis namens „CLONE00001“ auf dem USB-Gerät abgelegt werden. Nachdem Sie die Option **Von USB kopieren** ausgewählt und die Taste OK gedrückt haben, markieren Sie den Ordner „CLONE00001“ und drücken Sie die Taste OK. Es wird ein Menü mit verschiedenen Optionen angezeigt. Wählen Sie **Von USB kopieren** und drücken Sie OK, um das Begrüßungsbild von USB auf den Fernseher zu kopieren. Schalten Sie das Fernsehgerät aus und wieder ein, um das neue Begrüßungsbild anzuzeigen.

**Bemerkung:** Das USB-Gerät, das für das Kopieren von USB verwendet werden soll, muss als FAT32 formatiert sein.

### **Exportieren der Senderliste auf USB (die Verfügbarkeit dieser Funktion hängt vom jeweiligen TV-Modell ab)**

Verwenden Sie diese Option, um die Senderliste vom Fernsehgerät auf das USB-Gerät zu kopieren.

### **Importieren der Senderliste von USB (die Verfügbarkeit dieser Funktion hängt vom jeweiligen TV-Modell ab)**

Verwenden Sie diese Option, um die Senderliste vom USB-Gerät auf das Fernsehgerät zu kopieren.

### **Wake-up-Sender**

Stellen Sie einen Sender ein, dessen Zeitdaten für das Aufwachen verwendet werden sollen. Wenn diese Option auf „0“ gesetzt ist, werden die Zeitdaten des überwachten Senders verwendet.

**Bemerkung:** Wenn der Hotelmodus aktiv ist, ist die Funktion „Wecktimer hinzufügen“ im Menü „TV/Timer“ verfügbar. Nachdem Sie den neuen Timer gespeichert haben, schaltet sich das Fernsehgerät automatisch zur gewünschten Zeit ein.

### **Lautstärke beim Wecken**

Einstellung der Lautstärke beim Wecken mit dem Fernsehgerät. Dieser Wert kann nicht höher eingestellt werden als der Wert, der im Menüpunkt „Lautstärkebegrenzung – TV“ im Menü Lautstärkeeinstellung festgelegt wurde.

## Festbildmodus

Stellen Sie „Ein“ ein, um die Bildeinstellungsmenüs auszuschalten.

## Digitaltuner

Stellen Sie „Aus“ ein, um digitale Sender auszuschalten. Wenn Sie einen digitalen Kanal aus der Senderliste starten, wird die Meldung „Kein Signal“ angezeigt und digitale Kanäle erscheinen nicht in der Liste, wenn Sie manuell oder automatisch suchen.

## Unterstützung mehrerer Fernbedienungen (bis zu 4)

Sie können eine der vordefinierten Fernbedienungen auswählen oder sie auf „Aus“ setzen. Sie können den Treiber-Typ im "RCU-Menü" einstellen. Die Abkürzung für dieses Menü lautet RETURN/BACK-1-2-3-4.

Bemerkung: Für alle MHEG-fähigen Dienste müssen die Tasten INFO-RETURN/BACK-1-2-3-4 nacheinander gedrückt werden. Die Unterstützung mehrerer Fernbedienungen funktioniert bei Fernbedienungen des Typs RC5.

## Begrüßungsbildschirm

Nachdem Sie den Wert „Ein“ eingestellt haben das Fernsehgerät zeigt beim Einschalten einen Begrüßungsbildschirm an. Der Begrüßungsbildschirm ist ein PNG-Bild mit einer Auflösung von 3840 × 2160 Pixel für UHD-Auflösung, 1920 × 1080 Pixel für FHD-Auflösung und 1280 × 720 Pixel für HD-Auflösung. Das Bild des Begrüßungsbildschirms kann wie unter „Kopieren von USB“ beschrieben geändert werden.

**Bemerkung:** Dateien, die größer als 2048 kB sind, werden nicht unterstützt.

## NIT-Aktualisierung

Wenn diese Option aktiviert ist, werden die Daten der Netzinformationstabelle (NIT) automatisch aktualisiert.

## EPG-Anzeigeoptionen

Wenn Sie diese Option aktivieren, ist das EPG-Menü auch dann verfügbar, wenn sich das Fernsehgerät im Hotelmodus befindet.

## CEC genehmigt (die Verfügbarkeit dieser Funktion hängt vom jeweiligen TV-Modell ab)

Die verfügbaren Optionen sind Manuell, Aus. und Auto. Die CEC-Funktion wird entsprechend den Einstellungen funktionieren.

## Standardeinstellung wiederherstellen

Markieren Sie diese Option und drücken Sie die Taste OK auf der Fernbedienung, um die Standardeinstellungen (Werkseinstellungen) für das Hotelmodusmenü wiederherzustellen.

## Elektronischer Programmführer

Sie können die aktuell installierten Sender in der Senderliste über die elektronische Programmzeitschrift Ihres Fernsehers durchsuchen. Es hängt von der jeweiligen Sendung ab, ob diese Funktion unterstützt wird oder nicht.

Um den Programmführer aufzurufen, drücken Sie die Taste **Guide (Programmführer)** auf der Fernbedienung. Sie können auch die Funktion **Programmführer** im TV-Menü verwenden.

Es gibt 2 verschiedene Layout-Typen: Zeitplan auf der Zeitachse und Aktuell/Nächstes. Um zwischen diesen Layouts zu wechseln, markieren Sie das gewünschte Layout am oberen Rand des Bildschirms und drücken Sie **OK**.

Verwenden Sie die Richtungstasten, um durch den Programmführer zu navigieren. Verwenden Sie die Taste **BACK (Zurück)**, um die Optionsregisterkarten am oberen Rand des Bildschirms zu verwenden.

## Zeitplan auf der Zeitachse

Bei dieser Layout-Option werden alle aufgelisteten Senderereignisse in der Zeitleiste angezeigt. Mit den Richtungstasten können Sie durch die aufgelisteten Ereignisse blättern. Um ein Menü mit Ereignisoptionen anzuzeigen, markieren Sie das Ereignis und drücken Sie **OK**.

Um die verfügbaren Optionen zu nutzen, drücken Sie die Taste **BACK (Zurück)**. Um die Filteroptionen anzuzeigen, markieren Sie die Registerkarte Filter und drücken Sie **OK**. Um das Layout zu ändern, markieren Sie Aktuell/Nächstes und drücken Sie **OK**. Um die Ereignisse des vorherigen und des nächsten Tages anzuzeigen, können Sie die Optionen Vorheriger Tag und Nächster Tag verwenden.

Um die folgenden Optionen anzuzeigen, markieren Sie die Registerkarte **Extras** und drücken Sie **OK**.

**Genre auswählen:** Markiert das Menü Genreauswahl. Wählen Sie ein Genre aus und drücken Sie die Taste **OK**. Alle Veranstaltungen im Programmführer, die dem ausgewählten Genre entsprechen, werden hervorgehoben.

**Suche:** Zeigt die Suchoptionen an. Mit dieser Funktion können Sie die Datenbank des Programmführers nach Genres durchsuchen, die den ausgewählten Kriterien entsprechen. Die entsprechenden Ergebnisse werden in einer Liste sortiert.

**Aktuell:** Zeigt das aktuelle Ereignis des markierten Senders an. Zoom Um Ereignisse über einen größeren Zeitraum zu betrachten, markieren Sie und drücken Sie die Taste **OK**.

### Liste Aktuell/Nächstes

Bei dieser Layout-Option werden nur aktuelle und zukünftige Senderereignisse aufgelistet. Mit den Richtungstasten können Sie durch die aufgelisteten Ereignisse blättern.

Um die verfügbaren Optionen zu nutzen, drücken Sie die Taste **BACK (Zurück)**. Um die Filteroptionen anzuzeigen, markieren Sie die Registerkarte **Filter** und drücken Sie **OK**. Um das Layout zu ändern, markieren Sie **Zeitachse** und drücken Sie **OK**.

### Optionen für Ereignisse

Verwenden Sie die Richtungstasten, um das Ereignis zu markieren, und drücken Sie **OK**, um das Menü Optionen zu öffnen.

Zur Verfügung stehen folgende Optionen.

**Sender auswählen:** Verwenden Sie diese Option, um zum ausgewählten Sender zu wechseln und ihn anzusehen. Der Programmführer wird geschlossen.

**Mehr Informationen:** Zeigt detaillierte Informationen über das ausgewählte Ereignis an. Verwenden Sie die Richtungstasten nach oben und unten, um durch den Text zu blättern.

**Ereignis-Timer / Ereignis-Timer löschen:** Wählen Sie die Option Timer einstellen in den Ereignisoptionen und drücken Sie **OK**. Sie können den Timer für zukünftige Ereignisse einstellen. Um einen bereits eingestellten Timer zu löschen, markieren Sie das Ereignis und drücken Sie **OK**. Wählen Sie dann die Option Timer für das Ereignis löschen. Der Timer wird abgebrochen.

### Bemerkungen:

- Wenn der Timer auf dem aktuellen Sender aktiv ist, können Sie nicht zu einem anderen Sender wechseln.
- Es ist nicht möglich, einen Timer für zwei oder mehr Programme im gleichen Zeitintervall einzustellen.

### Teletext-Dienste

Drücken Sie zur Eingabe die Taste Text. Drücken Sie erneut, um den Mix-Modus zu aktivieren, mit dem Sie die Videotextseite und die Fernsehsendung gleichzeitig verfolgen können. Zum Beenden erneut drücken. Falls vorhanden, werden die Abschnitte der Videotextseiten farblich gekennzeichnet und können durch Drücken der farbigen Tasten ausgewählt werden. Folgen Sie den Anweisungen auf dem Bildschirm.

### Digitaler Videotext

Um die Informationen des digitalen Videotextes anzuzeigen, drücken Sie die Taste Text. Steuern Sie es mit den farbigen Tasten, den Richtungstasten und der Taste **OK**. Die Optionen können je nach Inhalt des digitalen Videotextes variieren. Folgen Sie den Anweisungen auf dem Bildschirm des digitalen Videotextes. Wenn Sie die Texttaste drücken, kehrt das Fernsehgerät zu den Fernsehsendungen zurück.

### Aktualisierung der Software

Ihr Fernsehgerät kann über ein Antennensignal oder über das Internet automatisch nach Firmware suchen und diese aktualisieren.

### Suche nach Software-Updates über die Benutzeroberfläche

Wählen Sie im Hauptmenü den Menüpunkt Einstellungen, gehen Sie dann zu Software-Aktualisierung und drücken Sie **OK**. Wählen Sie dann Nach Updates suchen und drücken Sie **OK**, um nach einem neuen Soft-

ware-Update zu suchen. Die Software-Aktualisierung ist auch unter **Einstellungen > System > Andere Einstellungen** verfügbar.

Wenn ein neues Update gefunden wird, beginnt es mit dem Herunterladen. Wenn der Download abgeschlossen ist, wird eine Warnung angezeigt. Drücken Sie **OK**, um die Softwareaktualisierung abzuschließen und das Fernsehgerät neu zu starten.

### Suchmodus und 3 AM Aktualisierung

Das Fernsehgerät sucht immer um 3:00 Uhr nach neuen Updates, wenn Sie die automatische Suche aktiviert haben und das Fernsehgerät mit einem Antennensignal oder dem Internet verbunden ist. Wenn eine neue Software gefunden und erfolgreich heruntergeladen wurde, wird sie beim nächsten Einschalten installiert.

**Bemerkung:** Trennen Sie das Netzkabel nicht, wenn die Anzeige während des Neustarts blinkt. Wenn sich das Fernsehgerät nach der Aktualisierung nicht einschalten lässt, ziehen Sie den Stecker für 2 Minuten aus der Steckdose und schließen Sie ihn dann wieder an. Alle Aktualisierungen werden automatisch durchgeführt. Wenn eine manuelle Suche durchgeführt wird und keine Software gefunden wird, handelt es sich um die aktuelle Version.

## Fehlersuche und Tipps

### Der Fernseher lässt sich nicht einschalten

Vergewissern Sie sich, dass das Netzkabel richtig an die Steckdose angeschlossen ist. Drücken Sie die Ein-/Ausschalttaste am Fernsehgerät.

### Schlechtes Bild

- Vergewissern Sie sich, dass Sie das Fernsehgerät richtig eingestellt haben.
- Ein schlechtes Bild kann durch ein schwaches Signal verursacht werden. Bitte überprüfen Sie den Antennenanschluss.
- Wenn Sie eine manuelle Abstimmung durchgeführt haben, überprüfen Sie, ob Sie die richtige Frequenz gewählt haben.

### Kein Bild

- Das Fernsehgerät empfängt kein Signal. Vergewissern Sie sich, dass die richtige Eingangsquelle ausgewählt wurde.
- Ist die Antenne richtig angeschlossen?
- Ist das Antennenkabel richtig angeschlossen?
- Werden für den Anschluss der Antenne die entsprechenden Stecker verwendet?
- Im Zweifelsfall wenden Sie sich an den Händler.

### Kein Ton

- Vergewissern Sie sich, dass der Fernsehsehton nicht stummgeschaltet ist. Um die Stummschaltung aufzuheben, drücken Sie die Stummschalttaste oder erhöhen Sie die Lautstärke.
- Der Ton kann nur aus einem Lautsprecher kommen. Überprüfen Sie die Balance-Einstellung im Tonmenü.

### Fernbedienung - funktioniert nicht

- Die Batterien könnten leer sein. Wechseln Sie alte Batterien gegen neue aus.
- Vielleicht sind die Batterien falsch eingelegt. Siehe „Einlegen der Batterien in die Fernbedienung“

### Kein Signal an der Eingangsquelle

- Es ist möglich, dass kein Gerät angeschlossen ist.
- Überprüfen Sie die AV-Kabel und Anschlüsse des Geräts.
- Überprüfen Sie, ob das Gerät eingeschaltet ist.

### Das Bild ist in der VGA-Quelle nicht zentriert

Wenn Sie möchten, dass Ihr Fernsehgerät das Bild automatisch zentriert, rufen Sie das Menü PC-Position im Menü Bild auf, markieren Sie **Automatische Position** und drücken Sie **OK**. Warten Sie, bis der Vorgang abgeschlossen ist. Um die Position des Bildes manuell anzupassen, können Sie die Optionen H Position und V Position verwenden. Wählen Sie eine Option aus und stellen Sie sie mit der linken und rechten Richtungstaste auf der Fernbedienung ein.



## Informationen über DVB-Funktionen

Dieser DVB-Empfänger ist nur für den Gebrauch in dem Land geeignet, für das er entwickelt wurde.

Obwohl dieser DVB-Empfänger zum Zeitpunkt der Herstellung mit der neuesten DVB-Spezifikation übereinstimmt, können wir die Kompatibilität mit zukünftigen DVB-Sendungen nicht garantieren, da es zu Änderungen bei den Sendesignalen und Technologien kommen kann.

Einige digitale Funktionen sind möglicherweise nicht in allen Ländern verfügbar.

Wir sind ständig bestrebt, unsere Produkte zu verbessern. Daher können sich die Spezifikationen ohne vorherige Ankündigung ändern.

Wenden Sie sich an das Geschäft, in dem Sie das Gerät gekauft haben, um zu erfahren, wo Sie Zubehör kaufen können.

## PC-Eingang typische Anzeigemodi

In der folgenden Tabelle sind einige typische Videoanzeigemodi aufgeführt. Ihr Fernsehgerät unterstützt möglicherweise nicht alle Auflösungen.

Verzeichnis	Auflösung	Frequenz
1	640x480	60 Hz
2	640x480	75 Hz
3	800x600	56 Hz
4	800x600	60 Hz
5	800x600	72 Hz
6	800x600	75 Hz
7	1024x768	60 Hz
8	1024x768	70 Hz
9	1024x768	75 Hz
10	1152x864	75 Hz
11	1280x768	60 Hz
12	1360x768	60 Hz
13	1280x960	60 Hz
14	1280x1024	60 Hz
15	1280x1024	75 Hz
16	1400x1050	60 Hz
17	1440x900	60 Hz
18	1440x900	75 Hz
19	1920x1080	60 Hz

## AV- und HDMI-Kompatibilität

Quelle	Unterstützte Signale	Verfügbarkeit	
Rückseite AV	PAL	O	
	SECAM	O	
	NTSC4.43	O	
	NTSC3.58	O	
YPbPr	480i, 480p	60 Hz	O
	576i, 576p	50 Hz	O
	720p	50Hz,60Hz	O
	1080i	50Hz,60Hz	O

Quelle	Unterstützte Signale		Verfügbarkeit
HDMI	480i, 480p	60 Hz	O
	576i, 576p	50 Hz	O
	720p	50Hz,60Hz	O
	1080i	50Hz,60Hz	O
	1080p	24Hz, 25Hz, 30Hz, 50Hz, 60Hz	O

(X: Nicht verfügbar, O: Verfügbar)

In einigen Fällen wird das Fernsehsignal möglicherweise nicht richtig angezeigt. Das Problem kann eine Inkompatibilität mit dem Gerät (DVD, Set-Top-Box usw.) sein. Wenden Sie sich in diesem Fall an Ihren Händler und an den Gerätehersteller.

## NETZWERK-VERBINDUNG

### Drahtlose Verbindung

#### Verbindung mit einem drahtlosen Netzwerk

Bei einigen Netzwerken mit einem versteckten SSID kann Ihr Fernsehgerät Probleme haben, sich zu verbinden. Um das SSID Ihres Modems sichtbar zu machen, ändern Sie die Einstellungen des Modems in seinem System.

#### Breitbandzugang zum ISP (1)

Der Wireless-N-Router (IEEE 802.11a/b/g/n) mit gleichzeitiger Nutzung der 2,4- und 5-GHz-Bandbreite dient der Erhöhung der Bandbreite. Er ist optimiert für ein kontinuierliches und schnelleres HD-Videostreaming, Dateiübertragungen und kabelloses Gaming.

- Die Frequenzen und Sender variieren je nach Gebiet.
- Die Übertragungsgeschwindigkeit hängt von der Entfernung und der Anzahl der Hindernisse zwischen den Übertragungsprodukten, der Konfiguration der Produkte, den Funkwellenbedingungen, der Verwendung und den von Ihnen verwendeten Produkten ab. Die Übertragung kann auch je nach Funkwellenbedingungen, DECT-Telefonen oder anderen WLAN 11b-Geräten unterbrochen oder getrennt werden. Die normalen Übertragungsraten sind die theoretischen Höchstwerte für drahtlose Standards. Dies ist keine effiziente Datenübertragungsraten.
- Die Orte, an denen die Übertragung am effektivsten ist, hängen von der Benutzerumgebung ab.
- Die Option Wireless TV unterstützt die Modemtypen 802.11 a,b,g & n. Die Verwendung des IEEE 802.11n-Kommunikationsprotokolls wird dringend empfohlen, um mögliche Probleme bei der Videowiedergabe zu vermeiden.
- Wenn sich Modems mit der gleichen SSID in der Nähe befinden, müssen Sie die SSID eines von ihnen ändern. Andernfalls kann es zu Verbindungsproblemen kommen.



#### Konfigurieren Sie die Einstellungen für drahtlose Geräte

Sie können den Verbindungsvorgang über das Menü Netzwerkeinstellungen starten, wo Sie die **Verbindungsmethode auf Drahtloses Gerät** einstellen.

Wenn Sie nach verfügbaren Drahtlosnetzwerken suchen möchten, markieren Sie **Drahtlosnetzwerke suchen** und drücken Sie **OK**. Es wird eine Liste aller gefundenen Netzwerke angezeigt. Um eine Verbindung mit dem Netz herzustellen, wählen Sie das gewünschte Netz aus der Liste aus und drücken Sie **OK**. Ein Netzwerk mit einer versteckten SSID kann von anderen Geräten nicht erkannt werden. Um eine Verbindung zu einem Netzwerk mit einer versteckten SSID herzustellen, blättern Sie in der Liste der gefundenen drahtlosen Netzwerke

nach unten, markieren Sie Neues Netzwerk hinzufügen und drücken Sie **OK**. Geben Sie einen Netzwerknamen ein und wählen Sie über die entsprechenden Verbindungsoptionen den Sicherheitstyp aus.

**Bemerkung:** Wenn das Modem den N-Modus unterstützt, können Sie ihn einrichten.

Wenn das ausgewählte Netzwerk passwortgeschützt ist, geben Sie das richtige Passwort über die virtuelle Tastatur ein. Verwenden Sie die Richtungstasten und die Taste **OK** auf der Fernbedienung, um diese Tastatur zu verwenden.

Warten Sie, bis die IP-Adresse angezeigt wird.

Dies bedeutet, dass die Verbindung hergestellt wurde. Um die Verbindung zum drahtlosen Netzwerk zu trennen, wählen Sie **Verbindungsmethode** und setzen Sie sie mit der Links- oder Rechtstaste auf **Aus**.

Wenn Sie mit einem drahtlosen Netzwerk verbunden sind, wird im Menü Netzwerk die Option Trennen angezeigt, und Ihr drahtloses Netzwerkprofil wird gespeichert, so dass Ihr Fernsehgerät automatisch eine Verbindung mit demselben Netzwerk herstellt, wenn Sie zu einer drahtlosen Verbindung wechseln. Um die Verbindung zum drahtlosen Netzwerk zu trennen und das gespeicherte drahtlose Netzwerkprofil zu löschen, markieren Sie den Menüpunkt Trennen und drücken Sie **OK**.

Wenn Ihr Router über WPS verfügt, können Sie sich direkt mit dem Modem/Router verbinden, ohne ein Passwort eingeben oder ein Netzwerk hinzufügen zu müssen. Wählen Sie WPS auf Ihrem Router und drücken Sie **OK**. Um eine Verbindung herzustellen, drücken Sie die WPS-Taste an Ihrem Modem/Router. Nachdem die Geräte verbunden wurden, erscheint eine Bestätigungsmeldung auf Ihrem Fernsehgerät. Wählen Sie **OK**, um fortzufahren. Es ist keine weitere Einrichtung erforderlich.

Markieren Sie den Menüpunkt **Test der Verbindungsgeschwindigkeit** und klicken Sie auf **OK**, um die Geschwindigkeit Ihrer Internetverbindung zu überprüfen. Markieren Sie den Menüpunkt Erweiterte Einstellungen und klicken Sie auf **OK**, um das Menü Erweiterte Einstellungen zu öffnen. Verwenden Sie die Richtungs- und Zifferntasten, um die Einstellungen anzupassen. Wenn Sie fertig sind und die Einstellungen speichern möchten, markieren Sie Speichern und drücken Sie **OK**.

## Sonstige Informationen

Wenn eine Verbindung hergestellt ist, wird der Verbindungsstatus als Verbunden oder Nicht Verbunden und die aktuelle IP-Adresse angezeigt.

## Smartphone über WLAN verbinden

- Wenn Ihr Smartphone WLAN-fähig ist, können Sie es über einen Router mit Ihrem Fernseher verbinden, um auf die Inhalte Ihres Geräts zuzugreifen. In diesem Fall muss Ihr Smartphone über die entsprechende Freigabesoftware verfügen.
- Folgen Sie den Schritten im vorherigen Kapitel, um Ihr Fernsehgerät an den Router anzuschließen.
- Verbinden Sie dann Ihr Smartphone mit demselben Router (demselben Wi-Fi-Netzwerk) und starten Sie die ausgewählte UPnP/DLNA-Casting-App auf Ihrem Smartphone. Wählen Sie dann die Dateien aus, die Sie für Ihr Fernsehgerät freigeben möchten.
- Wenn die Verbindung korrekt hergestellt wurde, sollten Sie nun in der Lage sein, von Ihrem Smartphone aus über Audio Video Sharing, das im Lieferumfang Ihres Fernsehers enthalten ist, auf freigegebene Dateien zuzugreifen.
- Markieren Sie die Option **Audio- und Videofreigabe** im Menü Quellen und drücken Sie **OK**, um die verfügbaren Geräte im Netzwerk anzuzeigen. Wählen Sie Ihr Smartphone aus und drücken Sie **OK**, um fortzufahren.
- Falls verfügbar, können Sie die App für die virtuelle Fernbedienung vom Server Ihres Anbieters für mobile Apps herunterladen.

**Bemerkung:** Diese Funktion wird möglicherweise nicht von allen Smartphones Geräten unterstützt.

## Netzwerk-Standby-Modus

Der Netzwerk-Standby-Modus ist ein Standard, mit dem Sie das Gerät über eine Netzwerknachricht einschalten oder aufwecken können. Die Nachricht wird über ein Programm, das auf einem entfernten Gerät läuft, das mit demselben lokalen Netzwerk wie das Smartphone verbunden ist, an das Gerät gesendet.

Ihr Fernsehgerät ist mit WoWLAN kompatibel. Diese Funktion ist während der Erstinstallation möglicherweise nicht verfügbar. Um diese Funktion zu aktivieren, setzen Sie die Option Netzwerk-Standby-Modus im Menü Netzwerk auf Ein. Das Gerät, von dem die Netzwerknachricht an das Fernsehgerät gesendet wird, und das Fernsehgerät müssen mit demselben Netzwerk verbunden sein. Die Funktion Netzwerk-Standby-Modus wird nur für Android-Geräte unterstützt und kann nur über die YouTube- und Netflix-App genutzt werden.

Um diese Funktion nutzen zu können, müssen das Fernsehgerät und die Fernbedienung verbunden sein, während das Fernsehgerät eingeschaltet ist. Wenn das Fernsehgerät ausgeschaltet wird, sollte die Verbindung beim nächsten Einschalten wiederhergestellt sein. Andernfalls ist diese Option nicht verfügbar. Dies gilt nicht, wenn das Fernsehgerät in den Standby-Modus geschaltet ist.

Die Leistung einiger auf dem Markt befindlicher Geräte kann je nach Softwarearchitektur variieren. Um die Funktion Netzwerk-Standby-Modus mit besserer Leistung zu nutzen, stellen Sie sicher, dass Ihr Gerät die neueste Firmware-Version hat.

Wenn Sie möchten, dass Ihr Fernsehgerät im Standby-Modus weniger Strom verbraucht, können Sie diese Funktion deaktivieren, indem Sie die Option Netzwerk-Standby-Modus auf **Aus** stellen.

## Drahtloser Bildschirm

Der drahtlose Bildschirm ist der Standard für das Streaming von Video- und Audioinhalten. Mit dieser Funktion können Sie das Fernsehgerät als drahtloses Anzeigergerät verwenden.

### Verwendung mit Smartphones

Es gibt eine einfache Möglichkeit, den Inhalt des Displays Ihres Smartphones auf Ihren Fernseher zu projizieren. Auf diese Weise können Sie Fotos, Videos und andere Inhalte vom Display Ihres Smartphones auf dem Großbildfernseher anzeigen (spiegeln). Mit dieser Funktion können Sie auch Audio abspielen.

Vergewissern Sie sich, dass Ihr Smartphone und Ihr Fernsehgerät mit demselben Router/Wi-Fi-Netzwerk verbunden sind. Drücken Sie dann die Taste **Quelle** auf der Fernbedienung und gehen Sie zur Quelle Wireless Display.

Es erscheint ein Bildschirm, der anzeigt, dass das Fernsehgerät bereit für die Verbindung ist.

Öffnen Sie die Freigabe-App auf Ihrem Smartphone. Diese Apps haben je nach Smartphone-Marke unterschiedliche Namen und sind in der Regel als Teil des Systems vorinstalliert. Sie können aber auch Apps von Drittanbietern installieren. Suchen Sie im App-Store Ihres Smartphones nach Apps mit der Bezeichnung „Bildschirmspiegelung“ / „Screen Mirroring“. Ausführliche Informationen finden Sie im Benutzerhandbuch Ihres Smartphones.

Suchen Sie in der entsprechenden App Ihres Smartphones nach Ihrem Fernseher und wählen Sie ihn aus, um eine Verbindung herzustellen. Nachdem Sie Ihr Fernsehgerät ausgewählt und die Verbindung hergestellt haben, wird der Bildschirm Ihres Geräts auf dem Fernsehgerät angezeigt.

**Bemerkung:** Diese Funktion kann nur genutzt werden, wenn das Smartphone diese Funktion unterstützt. Wenn Sie Verbindungsprobleme haben, überprüfen Sie, ob die Version des von Ihnen verwendeten Betriebssystems diese Funktion unterstützt. Bei Betriebssystemversionen, die nach der Herstellung dieses Fernsehgeräts veröffentlicht wurden, können Inkompatibilitätsprobleme auftreten. Die Scan- und Anhängvorgänge variieren je nach dem von Ihnen verwendeten Programm.

## Internet-Browser

Wenn Sie einen Webbrowser verwenden möchten, öffnen Sie zunächst das Menü **Home**. Starten Sie dann die Browser-App, die das orangefarbene Logo mit dem Ländersymbol trägt.

Auf dem Startbildschirm des Browsers werden die Miniaturansichten der vordefinierten Website-Links (falls vorhanden) als **Schnellzugriffsoptionen** angezeigt, zusammen mit den Optionen **Schnellzugriff bearbeiten** und **Zum Schnellzugriff hinzufügen**.

Verwenden Sie die Richtungstasten auf der Fernbedienung, um den Webbrowser aufzurufen. Um die Optionsleiste des Browsers anzuzeigen, bewegen Sie den Cursor an den oberen Rand der Seite. Hier finden Sie die Optionen **Verlauf**, **Registerkarten** und **Lesezeichen** sowie eine Browserleiste, die die Tasten **Vorherige/Nächste**, die Taste **Aktualisieren**, die Adress-/Suchleiste, die **Schnellzugriff** und die Browsertasten **Vewd** enthält.

Um die gewünschte Webseite in die Liste der Schnellzugriffsoptionen aufzunehmen, bewegen Sie den Cursor an den Anfang der Seite oder drücken Sie. Die Browserleiste wird angezeigt. Markieren Sie die Taste **Schnellzugriff** und drücken Sie die Taste **OK**. Wählen Sie anschließend **Zum Schnellzugriff hinzufügen** und drücken Sie **OK**. Füllen Sie die Felder **Name** und **Adresse** aus, markieren Sie **OK** und drücken Sie **OK**, um sie hinzuzufügen. Wenn Sie sich auf der Seite befinden, die Sie der Schnellzugriffsliste hinzufügen möchten, markieren Sie die Taste **Vewd** und drücken Sie **OK**. Markieren Sie anschließend **Zum Schnellzugriff hinzufügen** und drücken Sie **OK**. Die Felder **Name** und **Adresse** werden automatisch ausgefüllt, je nachdem, welche Seiten Sie besucht haben. Markieren Sie **OK** und drücken Sie die Taste **OK**, um sie hinzuzufügen.

Sie können auch die Menüoptionen **Vewd** zur Verwaltung des Browsers verwenden. Markieren Sie die Taste **Vewd** und klicken Sie auf **OK**, um die verfügbaren Seiten für spezifische und allgemeine Optionen anzuzeigen.

Es gibt verschiedene Möglichkeiten, Websites mit einem Webbrowser zu suchen und zu durchsuchen.

- Geben Sie die Adresse der Website (URL) in die Such-/Adressleiste ein, markieren Sie die Taste **Enter** auf der virtuellen Tastatur und drücken Sie **OK**.
- Um nach der gewünschten Website zu suchen, geben Sie das Schlüsselwort in die Such-/Adressleiste ein, markieren Sie die Taste **Enter** auf der virtuellen Tastatur und drücken Sie **OK**.
- Um die gewünschte Website aufzurufen, markieren Sie die Miniaturansicht **Schnellzugriff** und drücken Sie **OK**.

Ihr Fernsehgerät ist mit der USB-Maus kompatibel. Für eine einfachere und schnellere Navigation können Sie eine Maus oder einen drahtlosen Mausadapter an den USB-Anschluss Ihres Fernsehers anschließen.

Einige Websites enthalten Flash-Inhalte. Diese werden vom Browser nicht unterstützt.

Ihr Fernsehgerät unterstützt keine Internet-Download-Prozesse in Ihrem Webbrowser.

Nicht alle Seiten im Internet werden unterstützt. Je nach Standort können inhaltliche Probleme auftreten. In einigen Fällen können Sie keine Videoinhalte abspielen.

## Behebung von Verbindungsproblemen

### Kein drahtloses Netzwerk verfügbar

- Stellen Sie sicher, dass jede Firewall in Ihrem Netzwerk drahtlose TV-Verbindungen zulässt.
- Versuchen Sie erneut, über das Menü Netzwerke nach drahtlosen Netzwerken zu suchen.
- Überprüfen Sie das Modem (Router). Wenn der Router funktioniert, überprüfen Sie die Internetverbindung des Modems.

### Die Verbindung ist langsam

Weitere Informationen über den internen Servicebereich des Modems, die Verbindungsgeschwindigkeit, die Signalqualität und andere Einstellungen finden Sie im Benutzerhandbuch des Modems. Sie müssen über eine Hochgeschwindigkeits-Modemverbindung verfügen.

### Unterbrechungen bei der Wiedergabe oder langsame Reaktion

Versuchen Sie in diesem Fall Folgendes:

- Halten Sie einen Abstand von mindestens drei Metern zu Mikrowellenherden, Smartphones, Bluetooth-Geräten oder anderen WLAN-fähigen Geräten ein. Versuchen Sie, den aktiven Sender am WLAN-Router zu ändern.

### Internetverbindung nicht verfügbar / Audio- und Videofreigabe funktioniert nicht

Wenn die MAC-Adresse (eindeutige Identifikationsnummer) Ihres PCs oder Modems vorübergehend registriert wurde, kann das Fernsehgerät möglicherweise keine Verbindung mit dem Internet herstellen. In diesem Fall wird die MAC-Adresse jedes Mal überprüft, wenn Sie sich mit dem Internet verbinden. Dies ist eine Maßnahme gegen unbefugten Zugriff. Da Ihr Fernsehgerät eine eigene MAC-Adresse hat, kann Ihr ISP die MAC-Adresse Ihres Fernsehgeräts nicht überprüfen. Aus diesem Grund können Sie keine Verbindung mit dem Fernsehgerät herstellen. Wenden Sie sich an Ihren Internetanbieter und fragen Sie nach Informationen über Ihre Internetverbindung. Es ist auch möglich, dass die Verbindung an der Firewall scheitert. Wenn Sie glauben, dass dies die Ursache Ihres Problems ist, wenden Sie sich an Ihren Internetanbieter. Eine Firewall kann zu Verbindungsproblemen führen, wenn Sie das Fernsehgerät im Modus Audio- und Videofreigabe verwenden oder wenn Sie über die Audio- und Videofreigabe surfen.

### Ungültige Domain

Vergewissern Sie sich vor der Freigabe von Dateien im Medienserverprogramm auf Ihrem PC, dass Sie mit einem verifizierten Benutzernamen/Passwort auf dem PC angemeldet sind und dass Ihre Domäne aktiv ist. Wenn die Domäne ungültig ist, kann es zu Problemen bei der Anzeige von Dateien im Audio- und Video-Sharing-Modus kommen.

## Verwendung des Netzwerkdienstes Audio- und Videofreigabe

Die Audio- und Videofreigabe verwendet einen Standard, der die Überwachung digitaler Elektronik vereinfacht und daher für den Einsatz in einem Heimnetzwerk geeignet ist.

Mit diesem Standard können Sie Fotos, Musik und Videos anzeigen und abspielen, die auf einem Medienserver gespeichert sind, der mit Ihrem Heimnetzwerk verbunden ist.

### Installation der Server-Software

Die Funktion Audio- und Videofreigabe kann nicht verwendet werden, wenn die Serversoftware nicht auf dem Computer installiert ist oder wenn die erforderliche Medienserversoftware nicht auf dem Zusatzgerät installiert ist. Installieren Sie das richtige Serverprogramm auf Ihrem Computer.

### Verbindung mit einem drahtlosen Netzwerk

Ausführlichere Informationen zur Konfiguration finden Sie im Kapitel drahtlose Verbindung.

### Audio- und Videofreigabe

Gehen Sie zu **Einstellungen** > **Geräte** und aktivieren Sie die Option **Audio- und Videofreigabe**.

### Geteilte Dateien über den Medienbrowser abspielen

Markieren Sie die Option **Audio- und Videofreigabe** mit den Richtungstasten und drücken Sie **OK**. Die im Netzwerk verfügbaren Geräte werden angezeigt. Wählen Sie eine davon aus und drücken Sie **OK**, um fortzufahren. Der Medienbrowser wird angezeigt.

Weitere Informationen zur Wiedergabe von Dateien finden Sie im Menü Medienbrowser.

Wenn es ein Problem mit dem Netzwerk gibt, ziehen Sie den Stecker des Fernsehers aus der Steckdose und stecken Sie ihn wieder ein. Trick Mode und das Überspringen werden bei der Audio- und Videofreigabe nicht unterstützt.

**Bemerkung:** Auf einigen Computern kann die Audio- und Videofreigabe aufgrund von Administratorberechtigungen und Sicherheitseinstellungen möglicherweise nicht verwendet werden (z. B. auf firmeneigenen Computern).

## Smart Center

TV Smart Centre ist eine mobile App, die auf iOS- und Android-Plattformen läuft. Sie können Ihre Lieblingskonzerte und -sendungen ganz einfach von Ihrem Smart-TV über Ihr Smartphone streamen. Außerdem können Sie Ihre Apps ausführen, Ihr Smartphone als TV-Fernbedienung verwenden und Multimedia-Dateien austauschen. Bemerkung: Ob Sie alle Funktionen dieser App nutzen können, hängt von den Eigenschaften Ihres Fernsehers ab.

### Vorabinformationen

Um die internetfähigen Funktionen nutzen zu können, muss Ihr Modem/Router mit dem Internet verbunden sein.

**WICHTIG:** Stellen Sie sicher, dass Ihr Fernsehgerät und Ihr Smartphone mit demselben Netzwerk verbunden sind.

Die **Audio- und Videofreigabe** (falls verfügbar) müssen für die Medienfreigabe aktiviert sein. Drücken Sie die Taste **Menu** auf der Fernbedienung, wählen Sie **Einstellungen** > **Geräte** und drücken Sie **OK**. Markieren Sie die Option Audio- und Videofreigabe und wechseln Sie zu **Aktiviert**. Jetzt ist Ihr Fernseher bereit für die Verbindung mit Smartphones. Installieren Sie die TV Smart Centre App auf Ihrem Smartphone.

Starten Sie die TV Smart Center App auf Ihrem Smartphone. Wenn alle Verbindungen korrekt konfiguriert sind, wird der Name Ihres Fernsehers auf Ihrem Smartphone angezeigt. Wenn der Name Ihres Fernsehers nicht in

der Liste angezeigt wird, warten Sie einen Moment und tippen Sie auf das Widget Aktualisieren. Wählen Sie TV aus der Liste aus.

## App

Sie können auf die auf Ihrem Fernseher installierten Apps im Menü **Mein TV** zugreifen. Drücken Sie die Taste **Menu** auf der Fernbedienung, um das Menü **Mein TV** anzuzeigen. Markieren Sie die ausgewählte App und drücken Sie **OK**, um fortzufahren.

Um die auf Ihrem Fernseher installierten Apps zu verwalten, können Sie die Option Weitere Apps im TV-Menü verwenden. Sie können eine installierte App zum Menü **Mein TV** hinzufügen, sie starten oder löschen. Markieren Sie die App und drücken Sie **OK**, um die verfügbaren Optionen anzuzeigen.

Sie können auch neue, im App Store verfügbare Apps hinzufügen. Um darauf zuzugreifen, wählen Sie im TV-Menü Shop und drücken Sie **OK**. Die verfügbaren Apps werden angezeigt. Sie können auch über das Menü Weitere Apps auf den App-Markt zugreifen.

Sie können Ihre Anpassungen im Menü **Mein TV**, einschließlich app-bezogener Anpassungen, auf die Standardwerte zurücksetzen, indem Sie die Option Apps zurücksetzen im Menü Einstellungen verwenden (die Verfügbarkeit hängt von Ihrem TV-Modell und den Funktionen ab). Markieren Sie diese Funktion und drücken Sie die Taste **OK**. Ein Bestätigungsdialog erscheint. Markieren Sie Ja und drücken Sie **OK**, um fortzufahren. Wir weisen Sie darauf hin, dass Sie diesen Vorgang in den nächsten Minuten nicht erneut durchführen können.

### Bemerkungen:

- Mögliche Probleme mit Apps können von Appsanbietern verursacht werden.
- Die Internetdienste von Dritten können jederzeit geändert, unterbrochen oder eingeschränkt werden.

## HBBTV-System

HbbTV (Hybrid Broadcast Broadband TV) ist ein neuer Industriestandard, der Fernsehdienste, die über Rundfunk übertragen werden, nahtlos mit Diensten kombiniert, die über Breitband bereitgestellt werden. Außerdem ermöglicht es den Zugang zu reinen Verbraucher-Internetdiensten über angeschlossene Fernsehgeräte und Set-Top-Boxen. Zu den über HbbTV angebotenen Diensten gehören traditionelle Fernsehsender, Catch-up-Dienste, Video-on-Demand, EPG, interaktive Werbung, Personalisierung, Abstimmungen, Spiele, soziale Netzwerke und andere Multimedia-Apps.

HbbTV-Apps sind auf den Sendern verfügbar, auf denen sie von den Sendern bereitgestellt werden. In der Sendung wird eine App als „Autostart“ markiert, und sie wird automatisch auf der Plattform gestartet. Automatisch startende Apps sind in der Regel mit einem kleinen roten Symbol gekennzeichnet, um den Benutzer darauf hinzuweisen, dass eine HbbTV-App auf diesem Sender verfügbar ist. Drücken Sie die rote Taste, um die App-Seite zu öffnen. Nachdem die Seite angezeigt wurde, können Sie durch Drücken der roten Taste zum ursprünglichen Zustand des roten Symbols zurückkehren. Sie können durch Drücken der roten Taste zwischen dem Modus mit dem Symbol der roten Taste wechseln. Es ist zu beachten, dass die Möglichkeit, die rote Taste umzuschalten, von der App zur Verfügung gestellt wird und einige Apps sich anders verhalten können (andere farbige Tasten, wie z. B. grün, gelb, blau, können für einige andere Funktionen, z. B. Verknüpfungen, definiert werden).

Wenn der Benutzer auf einen anderen Sender umschaltet, während die HbbTV-App aktiv ist (im Modus mit roter Taste oder im vollständigen UI-Modus), kann Folgendes passieren.

- Die App kann weiter ausgeführt werden.
- Die App kann beendet werden.
- Die App kann beendet und eine andere Autostart-App mit der roten Taste gestartet werden.

Mit HbbTV können Apps sowohl über Breitband- als auch über Rundfunkfernsehen laufen. Der Anbieter kann beide Optionen oder nur eine von ihnen anbieten. Wenn eine Plattform nicht über eine funktionierende Breitbandverbindung verfügt, kann sie dennoch Apps ausführen, die über die TV-Übertragung übertragen werden. Die App mit der roten Taste bietet Links zu anderen Apps. Der Benutzer kann dann über die angegebenen Links zu anderen Apps wechseln. Die App muss eine Möglichkeit bieten, sich selbst zu beenden; normalerweise wird dafür die Taste Beenden verwendet.

HbbTV-Apps verwenden Tasten auf der Fernbedienung, um mit dem Benutzer zu interagieren. Wenn die HbbTV-App gestartet wird, steuert die App einige der Tasten. Beispiel: die numerische Senderauswahl funktioniert nicht beim Videotext, bei der die Zahlen die Videotextseiten angeben.

HbbTV erfordert AV-Streaming-Fähigkeit für die Plattform. Es gibt viele Apps, die VOD (Video on Demand) und Catch-up-TV-Dienste anbieten. Der Benutzer kann die Tasten Start, Pause, Stopp, Vorlauf und Rücklauf auf der Fernbedienung verwenden, um mit AV-Inhalten zu arbeiten.

**Bemerkung:** Sie können diese Funktion über das Menü Datenschutz in **Einstellungen** > **System** aktivieren oder deaktivieren.

## ANWEISUNGEN ZUR VERWENDUNG DES MOBILEN FERNSEHERS

### Einschalten des Fernsehers mit einem 12-Volt-Stecker

1. Schließen Sie das Kabel des Zigarettenanzündersteckers an den Zigarettenanzünder in Ihrem Auto an.
2. Verbinden Sie die andere Seite des 12-V-Kabels mit der DC 12-Buchse auf der Rückseite des Fernsehers. Die Standby-LED-Anzeigen leuchten auf.
3. Drücken Sie die Standby-, Programm +/- oder Nummerntaste auf der Fernbedienung oder die Steuertaste am Fernsehgerät. Das Fernsehgerät schaltet sich daraufhin ein.
4. Passen Sie die Position der Antenne an, um einen besseren Empfang zu gewährleisten, oder installieren Sie die Fernsendeder gegebenenfalls neu.

### Einschalten des Fernsehers

1. Drücken Sie die Taste Standby-Modus auf der Fernbedienung oder die Steuertaste am Fernsehgerät, um ein Menü mit Funktionsoptionen anzuzeigen. Das Schärfen hängt von den Optionen im Standby-Modus ab. Halten Sie die Taste 2 Sekunden lang gedrückt, um diese Option zu aktivieren. Die Farbe des Optionssymbols wird sich ändern. Drücken Sie dann erneut die Taste und das Fernsehgerät geht in den Standby-Modus.
2. Trennen Sie die Kabelanschlüsse und elektrischen Stecker.

## TECHNISCHE ANGABEN

<b>Fernsehausstrahlung</b>	PAL BG/I/DK/ SECAM BG/DK
<b>Empfangssender</b>	VHF (BAND I/III) - UHF (BAND U) - HYPERBAND
<b>Digitaler Empfang</b>	Vollständig integrierte Unterstützung für digitales terrestrisches Kabelfernsehen (DVB-T-C-S) (DVB-T2, DVB-S2 kompatibel)
<b>Anzahl der voreingestellten Sender</b>	11 000
<b>Senderanzeige</b>	Anzeige auf dem Bildschirm
<b>RF-Antenneneingang</b>	75 Ohm (unsymmetrisch)
<b>Betriebsspannung</b>	100-240V AC, 50/60Hz.
<b>Ton</b>	Deutsch + Nicam Stereo
<b>Schallleistung (WRMS.) (10% THD)</b>	2 x 6
<b>Verbrauch (W)</b>	65 W
<b>Leistungsaufnahme im Netzwerk-Standby-Modus (W)</b>	< 2
<b>Abmessungen des Fernsehers DxLxH (mit Sockel) (mm)</b>	185 x 734 x 478
<b>Abmessungen des Fernsehers DxLxH (ohne Sockel) (mm)</b>	48/79 x 734 x 435
<b>Abmessungen für die Wandmontage (mm)</b>	VESA M4 75x75
<b>Bildschirm</b>	32"
<b>Betriebstemperatur und Luftfeuchtigkeit</b>	0°C bis 40°C, max. Luftfeuchtigkeit 85%



## AC-Adapter Spezifikationen

<b>Name des Herstellers</b>	SHENZHEN HUNTKEY ELECTRIC CO., LTD
<b>Modellkennzeichnung</b>	HKA09012070-7U
<b>Eingangsspannung (V)</b>	100-240
<b>AC-Eingangsfrequenz (Hz)</b>	50-60
<b>Ausgangsspannung (V)</b>	12,0
<b>Ausgangsstrom (A)</b>	7,0
<b>Ausgangsleistung (W)</b>	84,0
<b>Durchschnittlicher aktiver Wirkungsgrad</b>	% 89,0
<b>Wirkungsgrad bei niedriger Last (%10)</b>	% 90,2
<b>Leistungsaufnahme im unbelasteten Modus (W)</b>	0,15

## Unterstützte Dateiformate für den USB-Modus

### Video-Dateiformate

Erweiterungen	Video-Codec	Max. Auflösung, Bildrate und Bitrate
.mpg, .mpeg, .dat, .vob, .ts, .trp, .m2ts	MPEG1/2, H.264, VC1	H.264: 1080Px2@30fps - 50Mbps, 1080P@60fps - 50Mbps Andere: 1080P@60fps - 50Mbps
.avi	MPEG1/2, MPEG4, H.264, MJPEG	
.mp4, .m4a, .m4v, .mov, .qt, .3gp, .3g2, .3gpp	MPEG1/2, H.263, MPEG4, H.264	
.mkv	MPEG 1/2, MPEG4, H.264	
flv	Sorenson Sp, MPEG4, H.264	
.asf, .wmv	MPEG4, WMV3, VC1	
.webm	VP9, VP8	
.mp4, .mov, .3gpp, .3gp, .ts, .trp, .tp, .mkv	HEVC/H.265	

### Bilddateiformate

Erweiterungen	Technische Angaben	Auflösung (Breite x Höhe)
.jpg .jpeg	Grundeinstellung	8192 x8192
	Progressiv	3000 x 3000
.bmp	RGB 1/4/8/16/24/32 Bit	8192 x8192
	RLE 4/8 Bit	
.png	Graustufen, 24/32 Bit pro Pixel	
	Interlace-Format	
	Progressive	

### Audio-Dateiformate

Erweiterungen	Format
.mp3,	.mp3,
.ac3,	.ac3,
.aac	.AAC
.wma	.WMA

.amr	.AMR-NB, .AMR-WB
.wav	.MPEG La, .AAC, .PCM

## Formate für Untertiteldateien

Externe Untertitel	
Erweiterungen	Technische Angaben
.ssa	SubStation Alpha
.ass	Advanced SubStation Alpha
.srt	Subripper
.sub	Micro DVD / SubViewer
.sub + .idx	VOBSub
.txt	Mikro-DVD / TMPlayer / MPL2
.mpl	MPL2
.smi	Sami
.jss	JACOSUB
.ttml	TTML
.txt / .sub	DVDSUBTITLE
.lrc	-

Interne Untertitel	
Erweiterungen	Technische Angaben
.mkv	VOBSub
.mkv	ASS/SSA/TEXT
.dat, .mpg, .mpeg, .vob	DVD Untertitel
.mp4,	DVD Untertitel, TEXT

## Unterstützte DVI-Auflösung

Wenn Sie Geräte über DVI-Konverterkabel (DVI-zu-HDMI-Kabel - nicht im Lieferumfang enthalten) an die TV-Anschlüsse anschließen, beachten Sie die folgenden Informationen zur Auflösung.

	56 Hz	60 Hz	66 Hz	70 Hz	72 Hz	75 Hz
640x400				X		
640x480		X	X		X	X
800x600	X	X		X	X	X
832x624						X
1024x768		X	X	X	X	X
1152x864		X		X		X
1152x870						X
1280x768		X				X
1360x768		X				
1280x960		X				X
1280x1024		X				X
1400x1050		X				X
1440x900		X				X
1600x1200		X				
1680x1050		X				

## Benachrichtigung über die Zulassung



Die Begriffe HDMI, HDMI High-Definition Multimedia Interface, HDMI Trade Dress und HDMI Logo sind Marken oder eingetragene Marken von HDMI Licensing Administrator, Inc.

Produziert unter Lizenz von Dolby Laboratories. Dolby, Dolby Audio und das Doppel-D-Symbol sind Marken der Dolby Laboratories Licensing Corporation. „YouTube und das YouTube-Logo sind Marken von Google Inc. Dieses Produkt enthält Technologie, die den geistigen Eigentumsrechten von Microsoft unterliegt. Die Verwendung oder Verbreitung dieser Technologie außerhalb dieses Produkts ist ohne die entsprechende(n) Lizenz(en) von Microsoft verboten.

Die Eigentümer von Inhalten nutzen die Microsoft PlayReady™-Technologie für den Zugriff auf Inhalte, um ihr geistiges Eigentum, einschließlich urheberrechtlich geschützter Inhalte, zu schützen. Dieses Gerät verwendet die PlayReady-Technologie für den Zugriff auf PlayReady-geschützte Inhalte und/oder WMDRM-geschützte Inhalte. Für den Fall, dass das Gerät nicht mehr in der Lage ist, Beschränkungen für die Nutzung von Inhalten ordnungsgemäß durchzusetzen, können die Eigentümer von Inhalten von Microsoft verlangen, dass die Fähigkeit des Geräts, PlayReady-geschützte Inhalte zu konsumieren, aufgehoben wird. Der Widerruf sollte sich nicht auf ungeschützte oder durch andere Technologien geschützte Inhalte auswirken. Eigentümer von Inhalten benötigen möglicherweise ein PlayReady-Update, um auf ihre Inhalte zugreifen zu können. Wenn Sie die Aktualisierung ablehnen, können Sie nicht auf die Inhalte zugreifen, für die die Aktualisierung erforderlich ist.

Das Logo CI Plus® ist eine Marke der CI Plus LLP.

Dieses Produkt ist durch bestimmte geistige Eigentumsrechte der Microsoft Corporation geschützt. Die Verwendung oder Verbreitung dieser Technologie außerhalb dieses Produkts ist ohne eine Lizenz von Microsoft oder einer autorisierten Microsoft-Tochtergesellschaft verboten.

## VERWERTUNG UND ENTSORGUNG VON ABFALL

Verpackungspapier und Wellenpappe an einer Sammelstelle abgeben. Verpackungsfolie, PET-Beutel und Kunststoffteile gehören in Sammelcontainer für Kunststoff.

## ENTSORGUNG DES PRODUKTES NACH ABLAUF DER LEBENSDAUER

### Europäische Union

Diese Symbole weisen darauf hin, dass elektrische und elektronische Geräte und Batterien mit diesem Symbol am Ende ihrer Lebensdauer nicht mit dem normalen Hausmüll entsorgt werden dürfen. Stattdessen sollten das Produkt sowie die Batterien an Sammelstellen für das Recycling von Elektro- und Elektronikgeräten zur ordnungsgemäßen Behandlung, Verwertung und zum Recycling gemäß Ihrer nationalen Gesetzgebung und den Richtlinien 2012/19/EU und 2013/56/EU abgegeben werden.

Durch die ordnungsgemäße Entsorgung dieser Produkte tragen Sie dazu bei, die natürlichen Ressourcen zu schonen und mögliche negative Auswirkungen auf die Umwelt und die menschliche Gesundheit zu vermeiden, die andernfalls durch unsachgemäße Handhabung bei der Entsorgung entstehen könnten.

Weitere Informationen über Sammelstellen und das Recycling dieser Produkte erhalten Sie bei Ihrer Gemeindeverwaltung, den Abfallentsorgungsdiensten oder dem Geschäft, in dem Sie das Produkt gekauft haben. Die unsachgemäße Entsorgung dieser Abfälle kann je nach Landesrecht zu einer Geldstrafe führen.

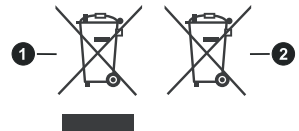
### Für Unternehmer

Wenn Sie dieses Produkt entsorgen möchten, wenden Sie sich bitte an Ihren Lieferanten und lesen Sie die allgemeinen Geschäftsbedingungen des Kaufvertrags.

### Andere Länder außerhalb der Europäischen Union

Diese Symbole sind nur in der Europäischen Union gültig.

Informationen zur Entsorgung und Wiederverwertung erhalten Sie bei Ihrer Gemeindeverwaltung. Bringen Sie das Produkt und die Verpackung zu einer Recyclinganlage.



1. Produkte
2. Akku

Einige Sammelstellen nehmen kostenlose Produkte an.

**Bemerkung:** Pb unter dem Symbol bedeutet, dass die Batterie Blei enthält.

Dieses Produkt erfüllt die Anforderungen der EU-Richtlinien zur elektromagnetischen Verträglichkeit und elektrischen Sicherheit sowie zur Schwermetallproblematik in Elektro- und Elektronikgeräten.



K+B Progres, a.s. erklärt hiermit, dass der Funkgerätetyp ECG 32HSL231M der Richtlinie 2014/53/EU entspricht. Der vollständige Text der Konformitätserklärung ist unter [www.ecg-electro.eu](http://www.ecg-electro.eu) verfügbar.

Die Bedienungsanleitung ist der Website [www.ecg-electro.eu](http://www.ecg-electro.eu) zu entnehmen. Änderungen des Textes und der technischen Parameter sind vorbehalten.







# [www.ecg-electro.eu](http://www.ecg-electro.eu)

---

## **Deutsch**

K+B Progres, a.s./AG.  
Barbaraweg 2, DE-93413 Cham  
Bei Beschwerden rufen Sie die Telefonnummer  
**09971/4000-6080 an. (Mo – Fr 9:00 – 16:00)**

- The manufacturer takes no responsibility for printing errors contained in the product's user's manual.
- Der Importeur haftet nicht für Druckfehler in der Bedienungsanleitung des Produkts.